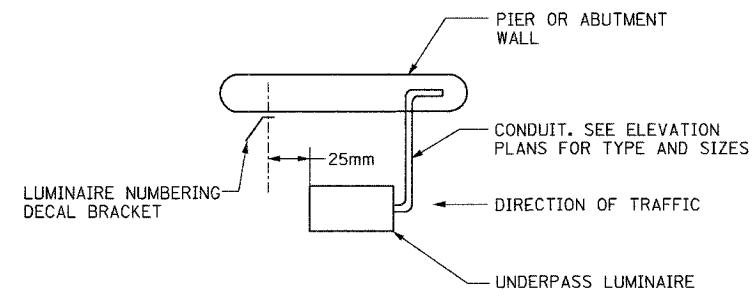


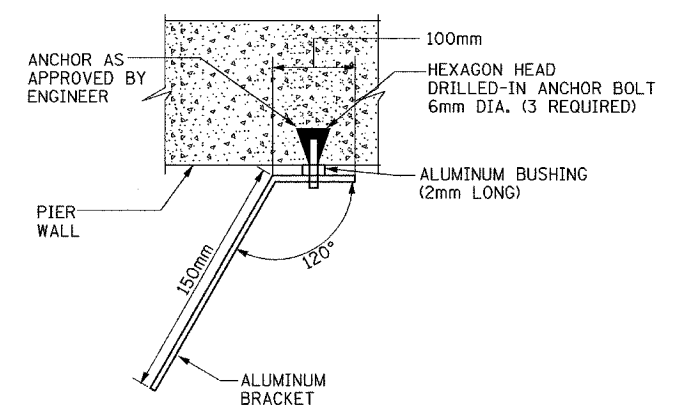
1 PROPOSED LUMINAIRE HANGER ASSEMBLY
NOT TO SCALE

NOTES

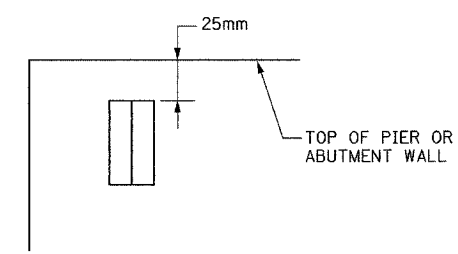
1. THE HANGER ASSEMBLY INCLUDING CONCRETE INSERT SHALL BE PROVIDED AS PART OF THE UNDERPASS LIGHTING PAY ITEM. DRILLED-IN TYPE ANCHORS OR INSERTS WILL NOT BE PERMITTED. THE INSTALLATION OF CONCRETE INSERTS IS INCLUDED IN THE BRIDGE CONSTRUCTION CONTRACT. THE LIGHTING CONSTRUCTION CONTRACT SHALL PROVIDE LAYOUT AND INSTALLATION DRAWINGS TO THE BRIDGE CONTRACTOR.
2. THE CONTRACTOR SHALL DEMONSTRATE TO THE SATISFACTION OF THE ENGINEER THAT THE PROPOSED UNISTRUT IS COORDINATED WITH THE LOADING OF THE LUMINAIRES.
3. STAINLESS STEEL BEAM CLAMPS SHALL BE USED TO SECURE THE UNISTRUT TO THE BRIDGE BEAMS.
4. OTHER TYPE OF VIBRATION DAMPER ASSEMBLY MAYBE USED IF APPROVED BY THE ENGINEER
5. FIXTURE AND STEM SHALL BE MOUNTED SO THAT BOTTOM OF FIXTURE IS FLUSH WITH BOTTOM OF BEAM.



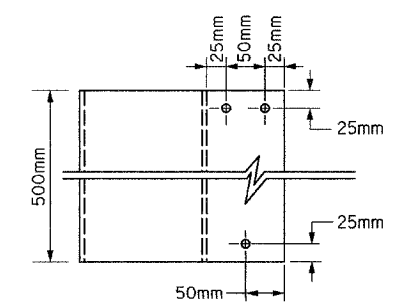
PLAN



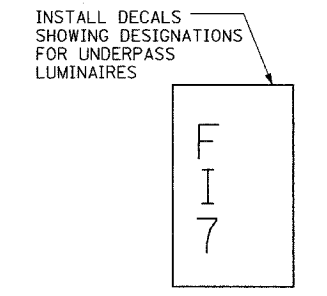
TOP VIEW



ELEVATION

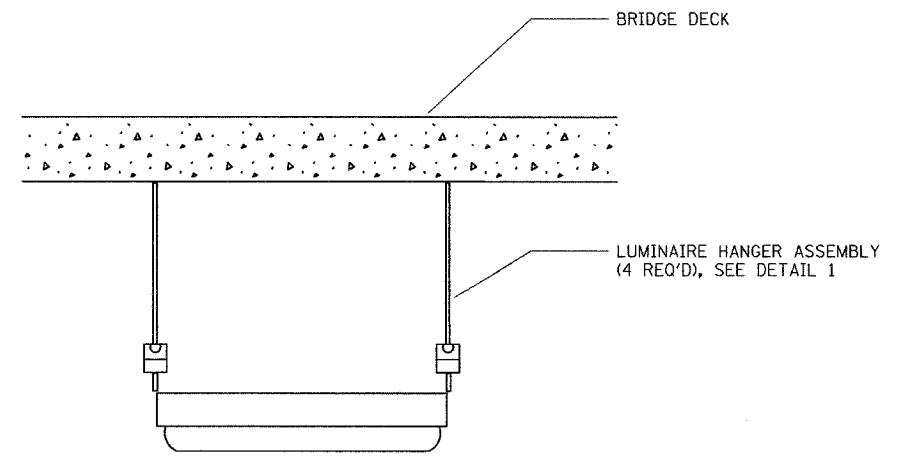


ELEVATION



FRONT VIEW

2 UNDERPASS LUMINAIRE NUMBERING DECAL BRACKET DETAIL
NOT TO SCALE



3 UNDERPASS LUMINAIRE MOUNTING
NOT TO SCALE

REVISIONS	
NAME	DATE

ILLINOIS DEPARTMENT OF TRANSPORTATION
PALATINE ROAD OVER IL 83 (ELMHURST RD.)

MISCELLANEOUS
UNDERPASS
LIGHTING DETAILS

SCALE: NONE
DATE: 12/21/2004

DRAWN BY: MAE/KGP
CHECKED BY: PKG/BC

AMERICAN
CONSULTING ENGINEERS

J:\projects\62878\1313.1\details\undpassdetails.dgn
21 DEC 2004
13:17:42