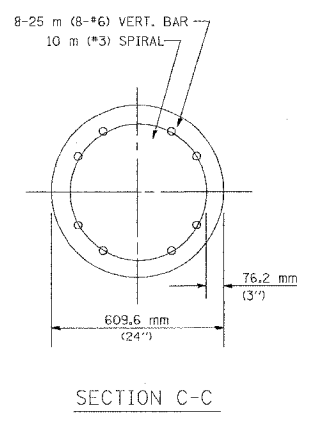
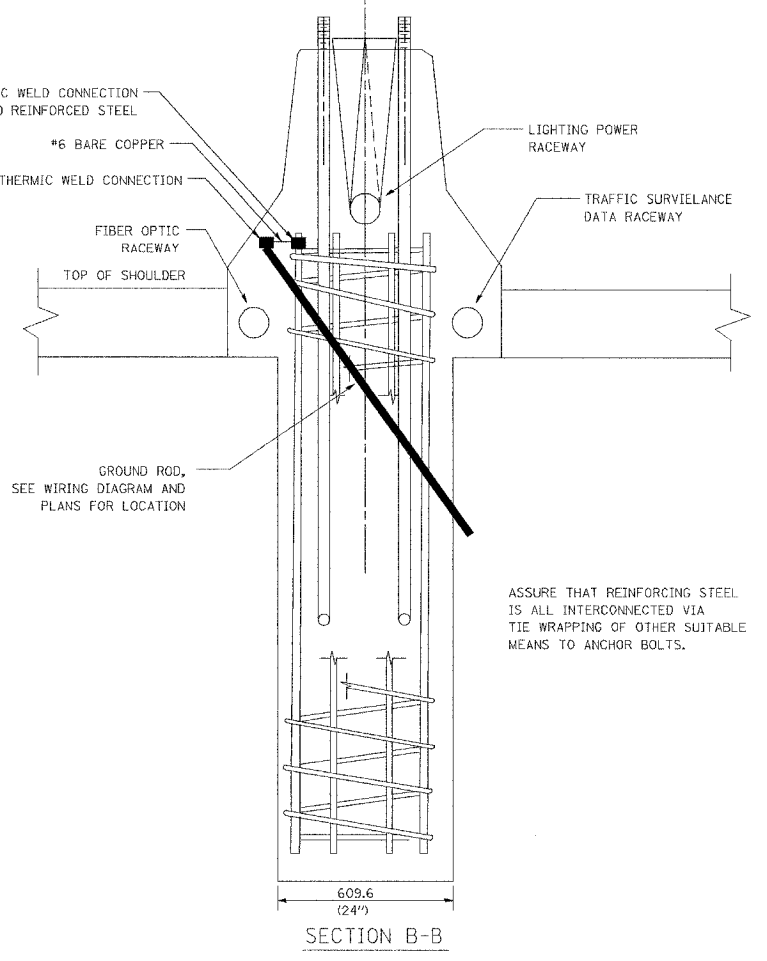
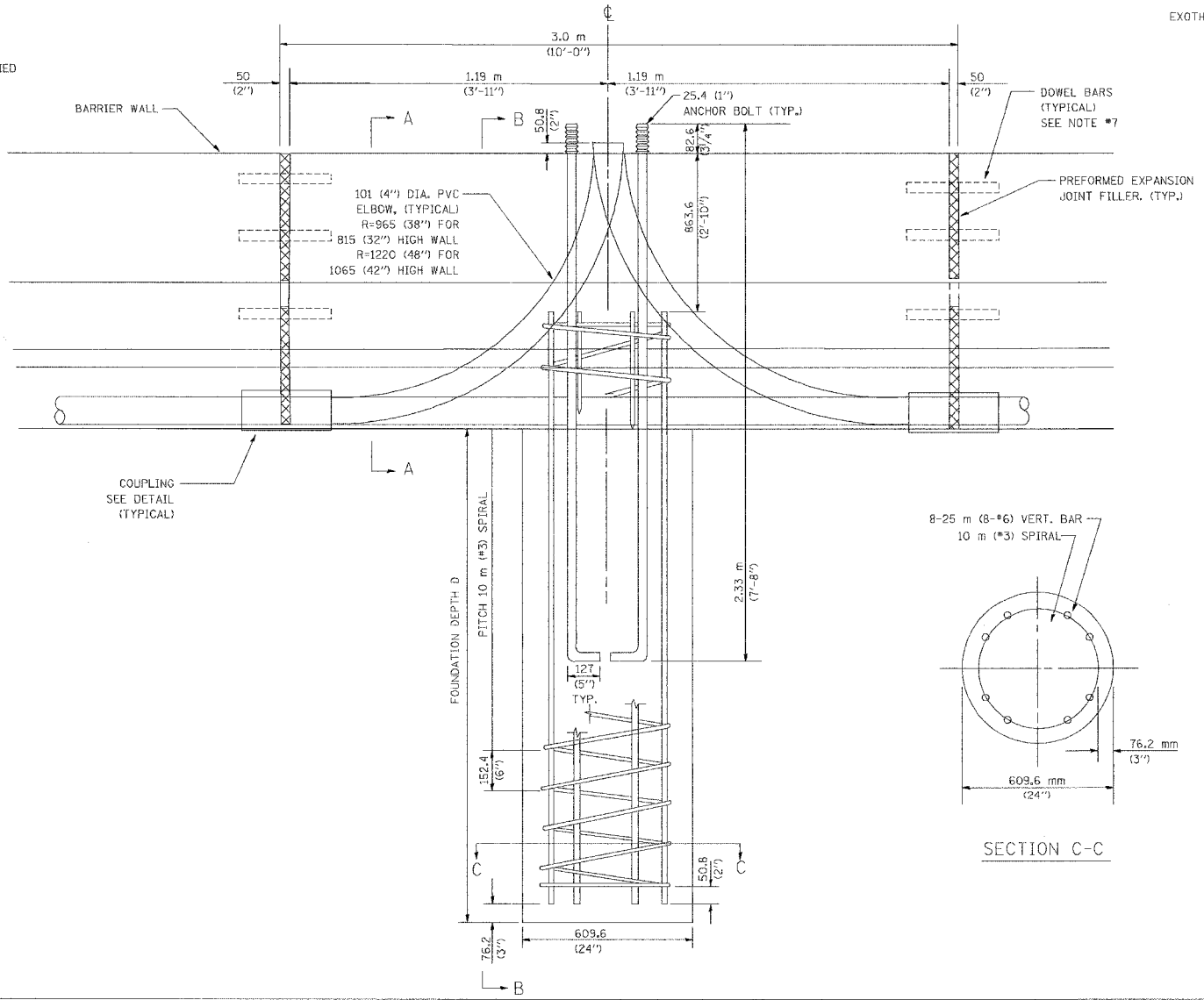
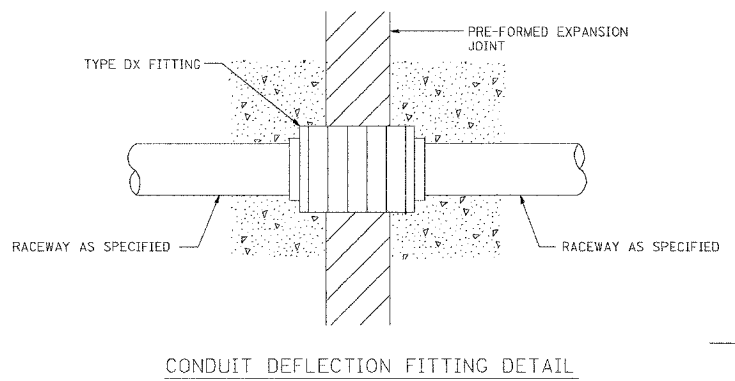
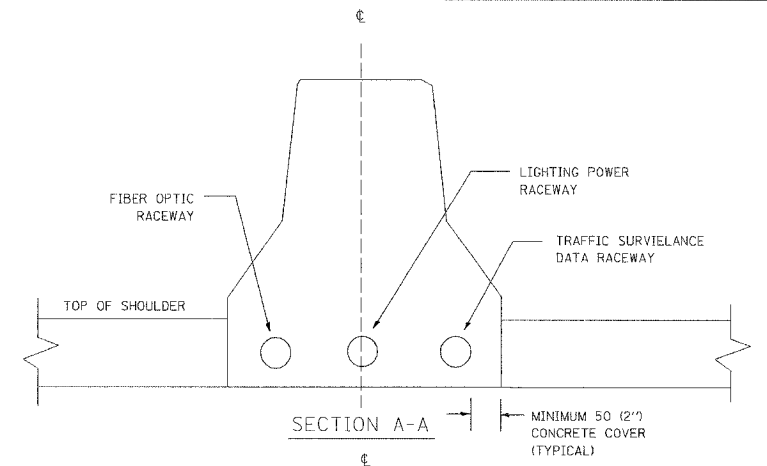
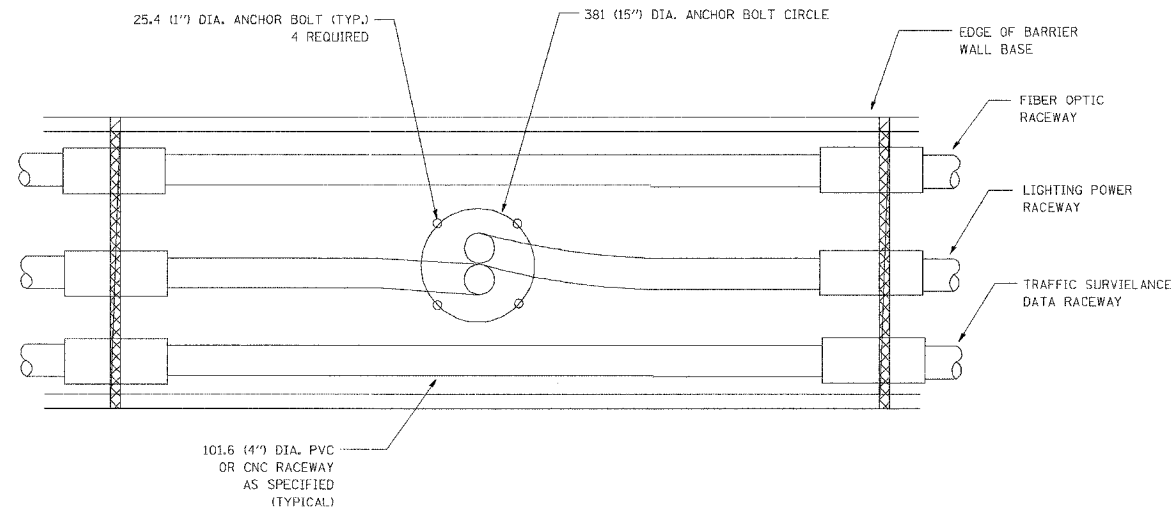


62878

F.A. RTE.	SECTION	COUNTY	TOTAL SHEETS	SHEET NO.
55	1997-029L	COOK	193	114
STA.		TO STA.		
FED. ROAD DIST. NO.		ILLINOIS FED. AID PROJECT		

- NOTES:
- ALL DIMENSIONS ARE IN MILLIMETERS (INCHES) UNLESS OTHERWISE SHOWN.
 - THE ANCHOR BOLTS AND RACEWAYS SHALL BE PROPERLY SECURED IN PLACE BEFORE THE CONCRETE IS PLACED IN THE FORMS.
 - THE CONTRACTOR AT HIS OPTION MAY SUBSTITUTE 15 m (#4) TIES AT 304.8 m (12") CTRS. FOR THE 3 m (#3) SPIRAL. TACKWELDED TYPE BOLT MAY BE SUBSTITUTED FOR THE HOOK TYPE BOLT.
 - COLD BENDING OF THE HOOK BOLT SHALL NOT BE ALLOWED.
 - EXCAVATION FOR THE POLE FOUNDATION SHALL BE MADE WITH AN AUGER 609.6 m (24 INCHES) IN DIAMETER.
 - THE ENGINEER SHALL DETERMINE THE TYPE OF SOIL DURING EXCAVATION AND SELECT THE DESIGN DEPTH OF FOUNDATION FROM THE DESIGN TABLE USING THE DOMINANT CHARACTERISTIC OF THE SOIL ENCOUNTERED.
 - BARRIER WALL EXPANSION AND CONSTRUCTION JOINTS SHALL BE IN ACCORDANCE WITH STANDARD DETAIL 637001-02 AND 637006 AS APPLICABLE.



FOUNDATION DEPTH

TYPE OF SOIL	FOUND DEPTH D	REINFORCEMENT IN FOUNDATION	
		VERTICAL BARS	SPIRAL
ROCK OR SOLIDIFIED SLAG	1.52 m (5'-0")	NONE	NONE
DENSE SAND	2.36 m (7'-9")	8-20 m x 2.74 m (8-#6 x 9'-0")	3 m x 27.43 m (#3 x 90')
MEDIUM SAND	2.51 m (8'-3")	8-20 m x 2.87 m (8-#6 x 9'-5")	3 m x 28.65 m (#3 x 94')
LOOSE SAND	2.74 m (9'-0")	8-20 m x 3.09 m (8-#6 x 10'-2")	3 m x 30.48 m (#3 x 100')
STIFF CLAY	2.13 m (7'-0")	8-20 m x 2.48 m (8-#6 x 10'-8")	3 m x 24.38 m (#3 x 80')
MEDIUM CLAY	2.89 m (9'-6")	8-20 m x 3.25 m (8-#6 x 10'-8")	3 m x 31.69 m (#3 x 104')
SOFT CLAY	3.96 m (13'-0")	8-20 m x 4.32 m (8-#6 x 14'-2")	3 m x 43.89 m (#3 x 144')

DESIGN: 80 MPH AASHTO

REVISIONS		ILLINOIS DEPARTMENT OF TRANSPORTATION	
NAME	DATE		
		609.6 mm (24") DIA. LIGHT POLE FOUNDATION INTEGRAL WITH DOUBLE FACE BARRIER WALL	
		SCALE: VERT. NONE	DRAWN BY CADD
		DATE 04/08/2004	CHECKED BY
			BE-322