

Benchmark: Chiseled Square in South side of Concrete Foundation for Traffic Signal.
 Located at the Northeast Corner of Elmhurst Rd. and the Eastbound Palatine Frontage Rd.
 Station = 364+20, Offset = 36' Rt., Elevation = 662.25

Existing Structure: S.N. 016-1031 built as Palatine Road Grade Separation over Elmhurst Road, Section 110-1313.1 M.F.T. in 1963 by the Cook County Highway Department. The existing five-span continuous structure is ±349'-0" Back-to-Back of Abutments. 64'-10" wide and is a cast-in-place reinforced concrete nine cell box beam superstructure supported by concrete abutments and piers. The existing structure shall be removed as required and replaced with a reinforced concrete deck on a three span continuous steel plate girder superstructure supported by reinforced concrete abutments and piers. Traffic will be rerouted to the frontage roads during construction.

No Salvage.

STATE OF ILLINOIS
 DEPARTMENT OF TRANSPORTATION

ROUTE NO.	SECTION	COUNTY	SHEET	SHEET NO.
FAP 305	*	Cook	193	130

Contract No. 62878 *1313.1 B

DESIGN SPECIFICATIONS
 2002 AASHTO Standard Specifications for Highway Bridges

LOADING: HS20-44
 Allow 50 psf for future wearing surface.

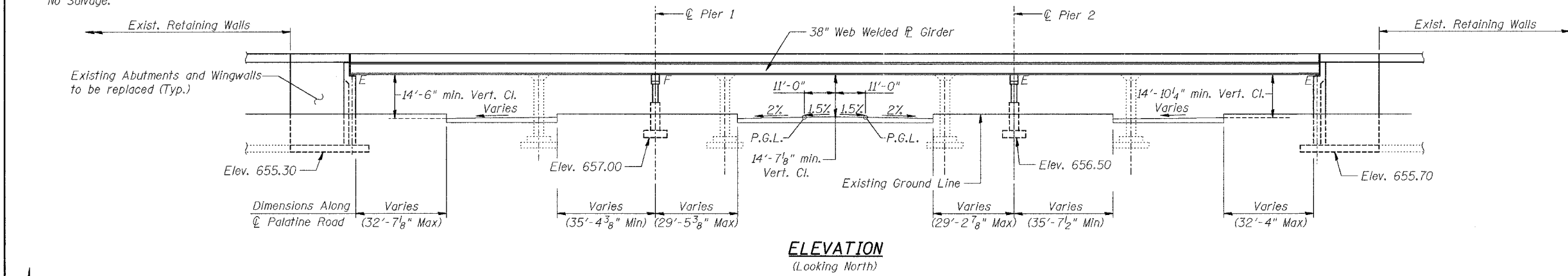
DESIGN STRESSES

FIELD UNITS

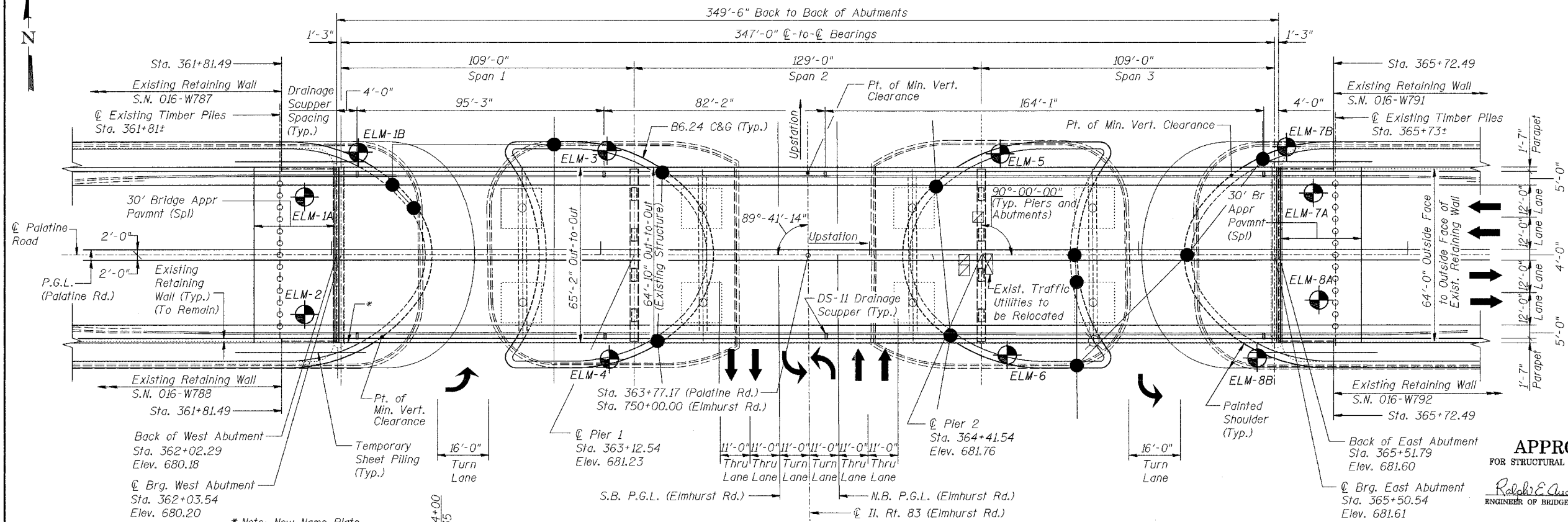
$f'_c = 3,500$ psi
 $f_y = 60,000$ psi (Reinforcement)
 $f_y = 50,000$ psi (M270, Grade 50; Structural Steel)
 $f_y = 36,000$ psi (M270, Grade 36; Structural Steel)

SEISMIC DATA

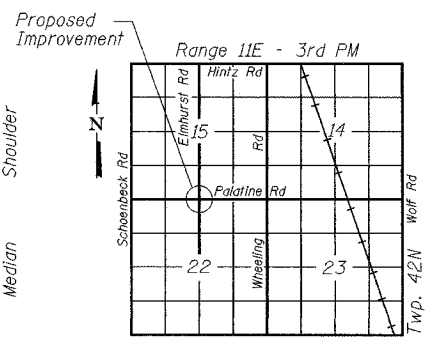
Seismic Performance Category (SPC) = A
 Bedrock Acceleration Coefficient (A) = 0.04g
 Site Coefficient (S) = 1.0



ELEVATION
 (Looking North)



PLAN

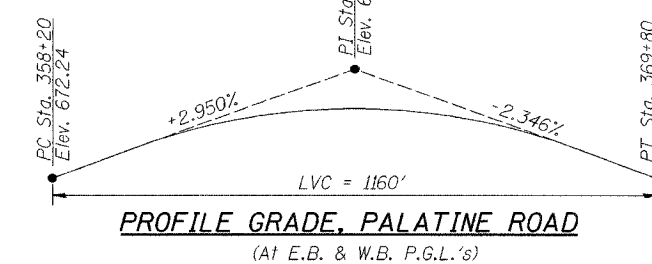


LOCATION SKETCH

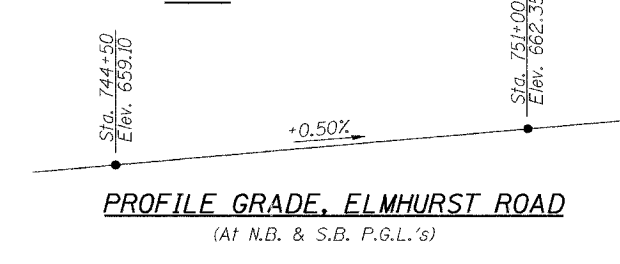


APPROVED
 FOR STRUCTURAL ADEQUACY ONLY
 Gary S. Powell
 GARY S. POWELL, S.E.
 IL. LIC. NO. 081-004771
 EXP 11-30-2006
 DATE 12-24-2004

DESIGNED	MJW
CHECKED	GAT
DRAWN	MJW
CHECKED	GAT



PROFILE GRADE, PALATINE ROAD
 (At E.B. & W.B. P.G.L.'s)



PROFILE GRADE, ELMHURST ROAD
 (At N.B. & S.B. P.G.L.'s)

LEGEND

- - Soil Boring
- - Prop. S.S. / San. S.
- - Prop. Catch Basin
- - Temp. Sheet Piling
- ⊠ - Exist. Traffic Controller
- ⊠ - Exist. Traffic Manhole

GENERAL PLAN AND ELEVATION
PALATINE ROAD OVER
IL. RT. 83 (ELMHURST ROAD)
F.A.P. RTE. 305 SECT. 1313.1 B
COOK COUNTY
STATION 363+77.17
STRUCTURE NO. 016-2812