

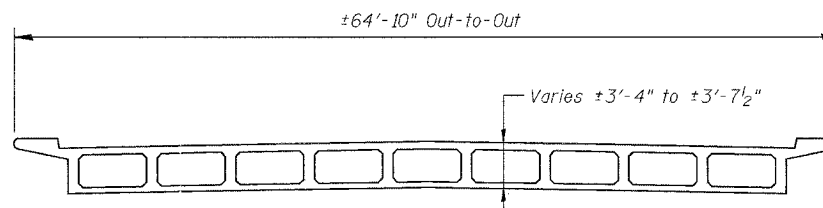
GENERAL NOTES:

- Fasteners shall be high strength bolts. Bolts $\frac{7}{8}$ " ϕ , open holes $\frac{15}{16}$ " ϕ , unless otherwise noted.
- Calculated weight of Structural Steel (AASHTO M 270, Grade 50) = 694,220 lbs.
Calculated weight of Structural Steel (AASHTO M 270, Grade 36) = 55,670 lbs.
- Field welding of construction accessories will not be permitted to girders.
- Anchor bolts shall be set before bolting diaphragms over supports.
- The structural steel bearing plates of the Elastomeric Bearing Assembly shall conform to the requirements of AASHTO M 270, Grade 50.
- The main load carrying member components subject to tensile stress shall conform to the Supplemental Requirements for Notch Toughness Zone 2. These components are the tension flanges, webs, and all splice plate material, except fill plates.
- Reinforcement bars shall conform to the requirements of AASHTO M31 or M322, Grade 60.
- Backfill shall be placed behind the abutment after the superstructure has been poured and the falsework removed. See Article 502.10 of the Standard Specifications.
- Bearing seat surfaces shall be constructed or adjusted to the designated elevations within a tolerance of $\frac{1}{8}$ inch. Adjustment shall be made either by grinding the surface or by shimming the bearing. Two $\frac{1}{8}$ " adjusting shims, of the dimensions of the bottom bearing plate, shall be provided for each bearing in addition to all other plates or shims. For the Type I Elastomeric Bearings, two $\frac{1}{8}$ " adjusting shims shall be provided for each bearing and placed as detailed.
- Bridge Seat Sealer shall be applied to the seat area of West and East Abutments.
- When the deck pour is stopped for the day at one or more of the transverse Bonded Construction Joints in the deck Pouring Sequence as shown, the next pour shall not be made until both of the following requirements are met:
 - At least 72 hours shall have elapsed from the end of the previous pour.
 - The concrete strength shall have attained a minimum modulus of rupture of 650 psi or a minimum compressive strength of 3500 psi.
- All construction joints shall be bonded.
- Excavation behind existing abutment walls shall be done before removing the existing superstructure.
- The organic zinc rich primer/epoxy/urethane paint system shall be used for painting of new structural steel except where otherwise noted. The entire system shall be shop applied, with the exception that masked off connection surfaces, field installed fasteners and damaged areas shall be touched up in the field. The color of the final finish coat for all interior steel surfaces shall be gray, Munsell No. 5B 7/1. The color of the final coat for the exterior and the bottom flange of the fascia beams shall be Reddish Brown, Munsell No. 2.5YR 3/4. See Special Provision for Cleaning and Painting New Metal Structures.
- Existing piers shall be removed to at least 2 feet below the Existing Ground Line.

STATE OF ILLINOIS
DEPARTMENT OF TRANSPORTATION

ROUTE NO.	SECTION	COUNTY	TOTAL SHEETS	SHEET NO.	SHEET NO. 2
FAP 305	*	Cook	193	131	37 SHEETS

Contract No. 62878 *1313.1 B



CROSS SECTION - EXISTING STRUCTURE

- Notes:
- The Existing Superstructure is a 9-cell monolithic continuous reinforced concrete box girder.
 - The Contractor will be required to submit a complete and detailed removal plan sealed by a licensed Structural Engineer in the State of Illinois to the Engineer for review and approval prior to the start of work. Elmhurst Road will be required to remain open to Traffic during Removal and Reconstruction.
 - Electrical conduits and appurtenances cast within the existing superstructure shall be disconnected at their source prior to the start of work and shall be removed with the superstructure. Cost included with "Removal of Existing Structures".

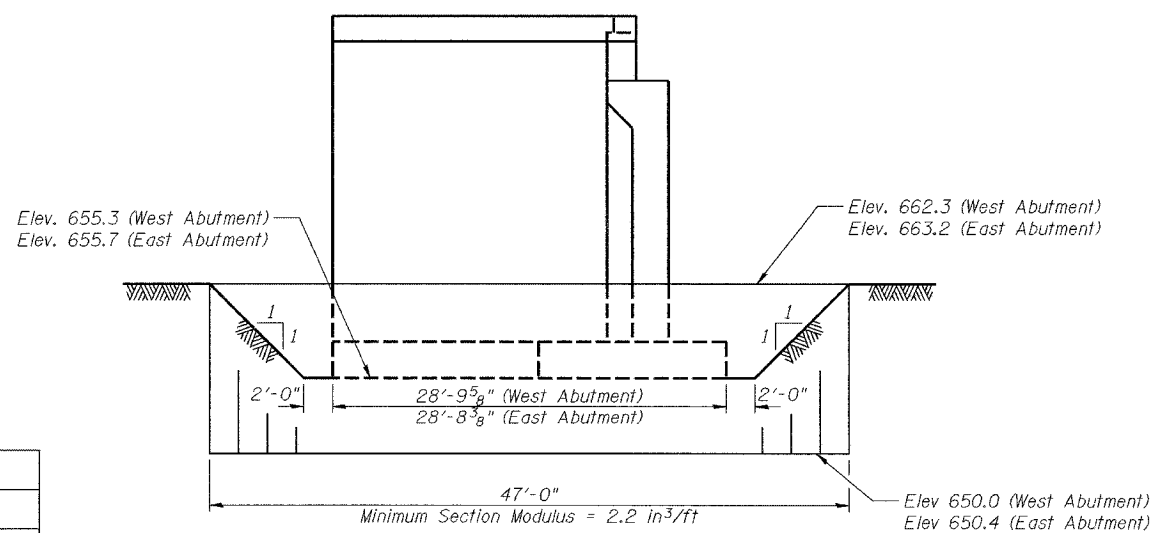
TOTAL BILL OF MATERIAL

ITEM	UNIT	SUPER	SUB	TOTAL
Porous Granular Embankment	Cu Yd		4.2	4.2
Removal of Existing Structures	Each			1
Structure Excavation	Cu Yd		5,460.8	5,460.8
Neoprene Expansion Joint 4"	Foot	64		64
Concrete Structures	Cu Yd		980.8	980.8
Concrete Superstructure	Cu Yd	717.5		717.5
Bridge Deck Grooving	Sq Yd	2,118		2,118
Protective Coat	Sq Yd	2,720		2,720
* Furnishing Elastomeric Bearing Assembly, Type I	Each			20
Erecting Elastomeric Bearing Assembly, Type I	Each	20		20
* Furnishing Elastomeric Bearing Assembly, Type II	Each			10
Erecting Elastomeric Bearing Assembly, Type II	Each	10		10
* Furnishing Structural Steel	L Sum			1
Erecting Structural Steel	L Sum	1		1
Stud Shear Connectors	Each	10,320		10,320
Reinforcement Bars, Epoxy Coated	Pound	159,600	146,170	305,770
Name Plates	Each	1		1
Bridge Seat Sealer	Sq Ft		288	288
Geocomposite Wall Drain	Sq Yd		157	157
Pipe Underdrains for Structures 4"	Foot		202	202
Pipe Drains 4"	Foot		23	23
Pipe Drains 12" (Special)	Foot		88	88
Anchor Bolts	Each		100	100
Drainage Scuppers, DS-II	Each	8		8
Bridge Joint System (Expansion), 1- $\frac{5}{8}$ "	Foot	63		63
Bridge Drainage System	L Sum			1
Bar Splicers	Each		106	106
* Storage of Structural Steel	**			
Temporary Sheet Piling	Sq Ft		2,359	2,359

** For Storage of Structural Steel one unit shall be equal to 5 tons. The quantity was calculated based on the assumption that 25% of the steel weight has to be stored for 30 calendar days.

INDEX OF SHEETS

SHEET NO.	TITLE
1	General Plan and Elevation
2	General Notes & Bill of Material
3	Top of Slab Elevations (1 of 6)
4	Top of Slab Elevations (2 of 6)
5	Top of Slab Elevations (3 of 6)
6	Top of Slab Elevations (4 of 6)
7	Top of Slab Elevations (5 of 6)
8	Top of Slab Elevations (6 of 6)
9	Deck Plan and Cross Section
10	Superstructure Details - I
11	Superstructure Details - II
12	Superstructure Details - III
13	Bridge Joint System - Expansion (1 of 2) (Preformed Joint Seal)
14	Bridge Joint System - Expansion (2 of 2) (Alternate-Strip Seal)
15	Neoprene Expansion Joint
16	Drainage Scupper, DS-II
17	Framing Plan
18	Structural Steel Details
19	Pier Bearing Details
20	Abutment Bearing Details
21	Anchor Bolt Details
22	West Abutment
23	West Abutment Details - I
24	West Abutment Details - II
25	East Abutment
26	East Abutment Details - I
27	East Abutment Details - II
28	Bar Splicer Assembly Details
29	Pier No. 1
30	Pier No. 2
31	Bridge Drainage System (1 of 2)
32	Bridge Drainage System (2 of 2)
33	Soil Boring Logs (1 of 5)
34	Soil Boring Logs (2 of 5)
35	Soil Boring Logs (3 of 5)
36	Soil Boring Logs (4 of 5)
37	Soil Boring Logs (5 of 5)



TEMPORARY SHEET PILING AT ABUTMENT WING WALLS

DESIGNED	MJW
CHECKED	GAT
DRAWN	MJW
CHECKED	GAT

STATION 363+77.17
BUILT 200_ BY
STATE OF ILLINOIS
F.A.P. RT. 305 SEC. 1313.1 B
LOADING HS20
STR. NO. 016-2812

NAME PLATE
(See Std. 515001)

GENERAL NOTES & BILL OF MATERIAL
PALATINE ROAD OVER
IL. RT. 83 (ELMHURST ROAD)
F.A.P. RTE. 305 SECT. 1313.1 B
COOK COUNTY
STATION 363+77.17
STRUCTURE NO. 016-2812

***NOT INCLUDED IN CONTRACT**