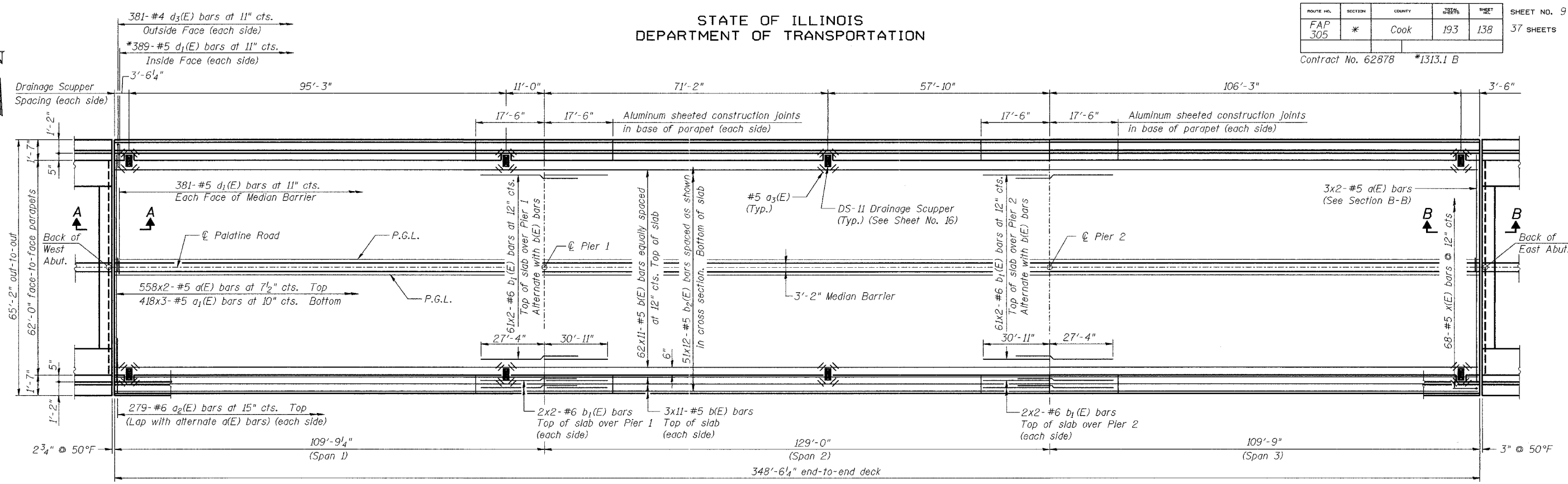


STATE OF ILLINOIS  
DEPARTMENT OF TRANSPORTATION

ROUTE NO.	SECTION	COUNTY	DATE	SHEET	SHEET NO.
FAP 305	*	Cook	193	138	9

37 SHEETS

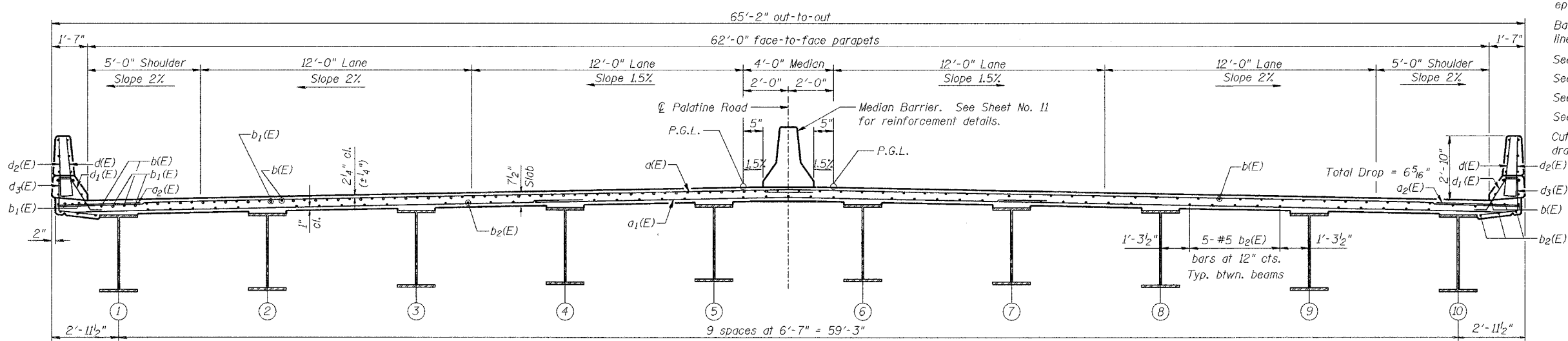
Contract No. 62878 \*1313.1 B



**DECK PLAN**

\* Note: Includes 1 additional d<sub>1</sub>(E) bar each side of Drainage Scuppers.

**Notes:**  
See Sheet No. 12 for superstructure details and Bill of Material.  
Reinforcement bars designated (E) shall be epoxy coated.  
Bars indicated thus 20 x 3-#5 etc. indicates 20 lines of bars with 3 lengths per line.  
See Sheet No. 10 for parapet reinforcement.  
See Sheet No. 11 for median reinforcement.  
See Sheet No. 12 & 16 for Drainage Scupper Details.  
See Sheet No. 12 for Section A-A and B-B.  
Cut longitudinal reinforcement in order to clear drainage scuppers.



**CROSS SECTION**  
(Looking East)

**MINIMUM BAR LAPS**  
#5 = 2'-2"  
#6 = 2'-7"

DESIGNED	MJW
CHECKED	GAT
DRAWN	MJW
CHECKED	GAT

**DECK PLAN AND CROSS SECTION  
PALATINE ROAD OVER  
IL. RT. 83 (ELMHURST ROAD)  
F.A.P. RTE. 305 SECT. 1313.1 B  
COOK COUNTY  
STATION 363+77.17  
STRUCTURE NO. 016-2812**