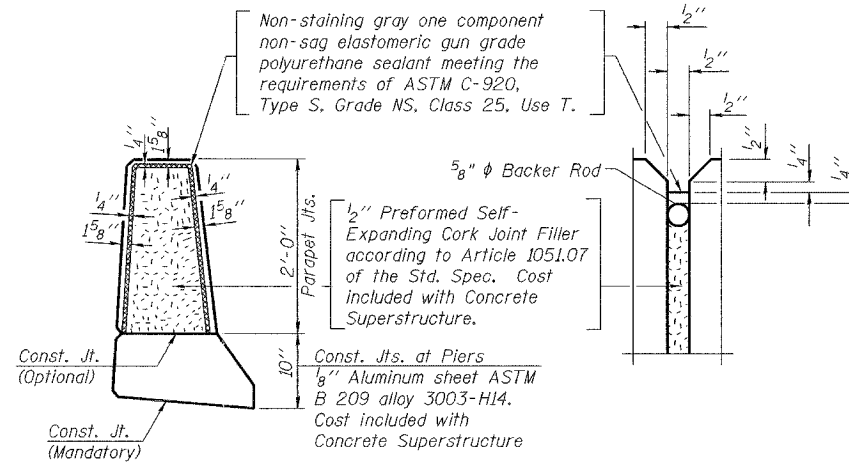
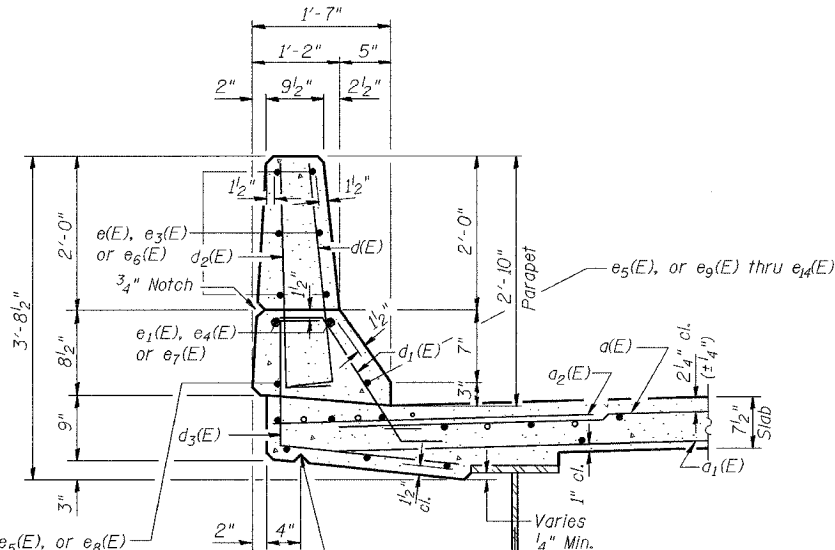
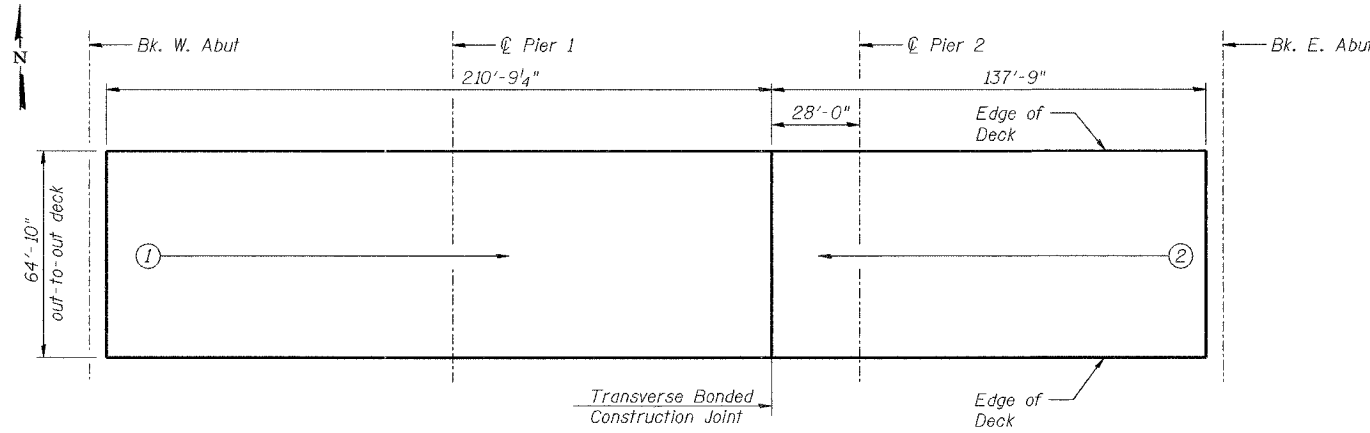


INSIDE ELEVATION OF PARAPET



* Note: Include 1 additional d(E) bar each side of Drainage Scauppers.

LEGEND
E.F. = Each Face
I.F. = Inside Face
O.F. = Outside Face



DECK POURING SEQUENCE
Transverse bonded construction joint shall be located clear of all diaphragms.

MINIMUM BAR LAPS
#4 = 1'-8"
#5 = 2'-2"
#6 = 2'-7"
#8 = 4'-6"

SUPERSTRUCTURE DETAILS - I
PALATINE ROAD OVER
IL. RT. 83 (ELMHURST ROAD)
F.A.P. RTE. 305 SECT. 1313.1 B
COOK COUNTY
STATION 363+77.17
STRUCTURE NO. 016-2812

DESIGNED	MJW
CHECKED	GAT
DRAWN	MJW
CHECKED	GAT