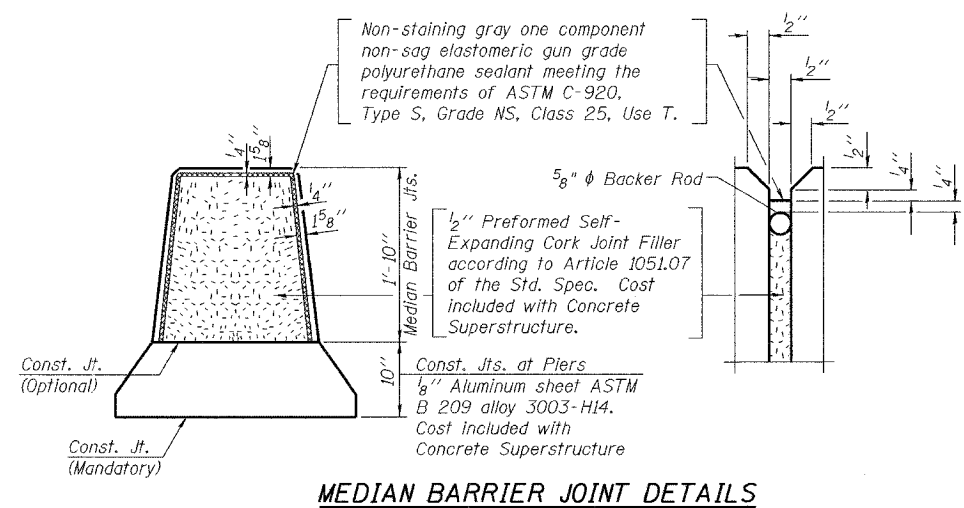
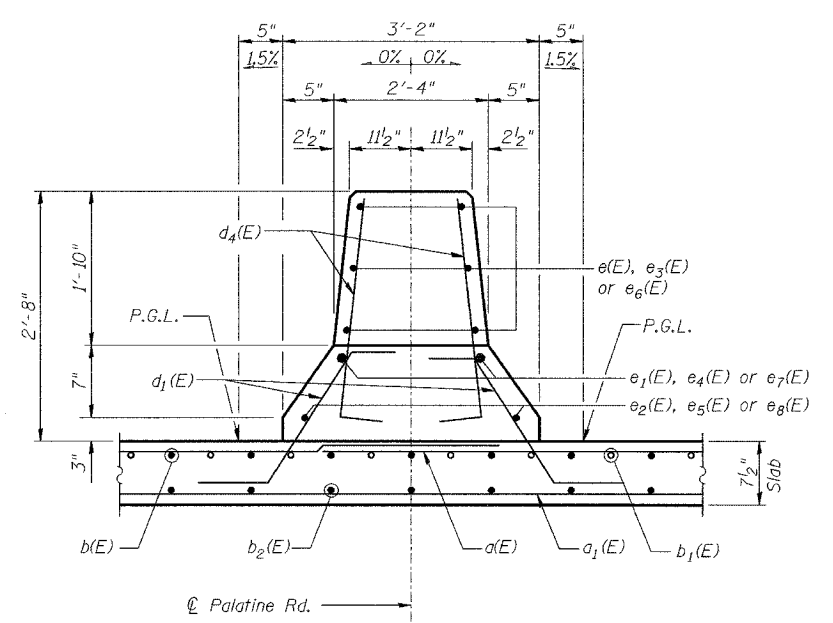
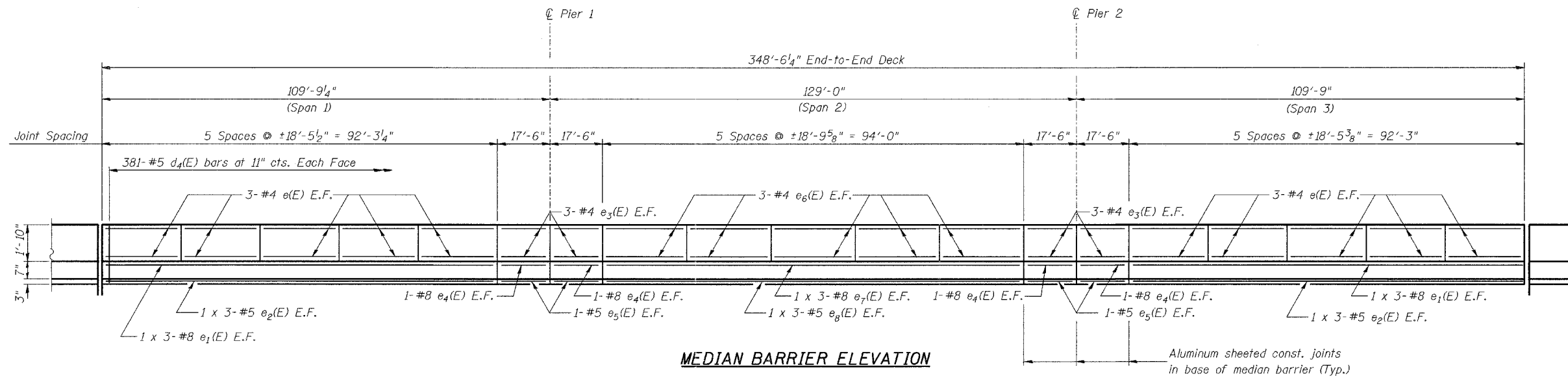


STATE OF ILLINOIS  
DEPARTMENT OF TRANSPORTATION

ROUTE NO.	SECTION	COUNTY	TOTAL SHEETS	SHEET NO.
FAP 305	*	Cook	193	140

Contract No. 62878 \*1313.1 B



**Notes:**

Reinforcement bars designated (E) shall be epoxy coated.

Bars indicated thus 1 x 4-#5 etc. indicates 1 line of bars with 4 lengths per line.

All concrete edges shall have a 3/4" chamfer.

DESIGNED	MJW
CHECKED	GAT
DRAWN	MJW
CHECKED	GAT

**MINIMUM BAR LAPS**

#4 = 1'-8"  
#5 = 2'-2"  
#6 = 2'-7"  
#8 = 4'-6"

**SUPERSTRUCTURE DETAILS - II**  
**PALATINE ROAD OVER**  
**IL. RT. 83 (ELMHURST ROAD)**  
**F.A.P. RTE. 305 SECT. 1313.1 B**  
**COOK COUNTY**  
**STATION 363+77.17**  
**STRUCTURE NO. 016-2812**