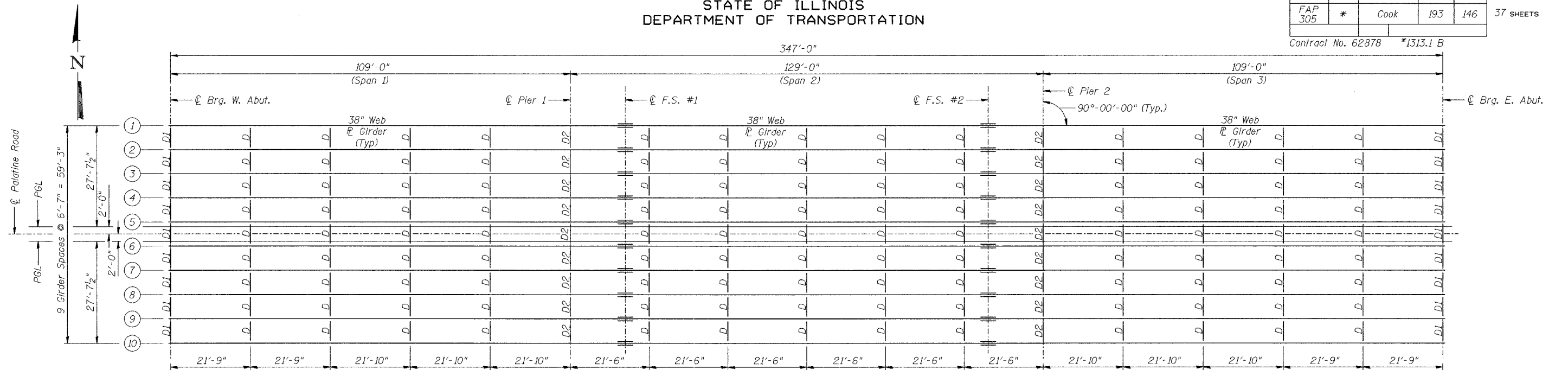


STATE OF ILLINOIS
DEPARTMENT OF TRANSPORTATION

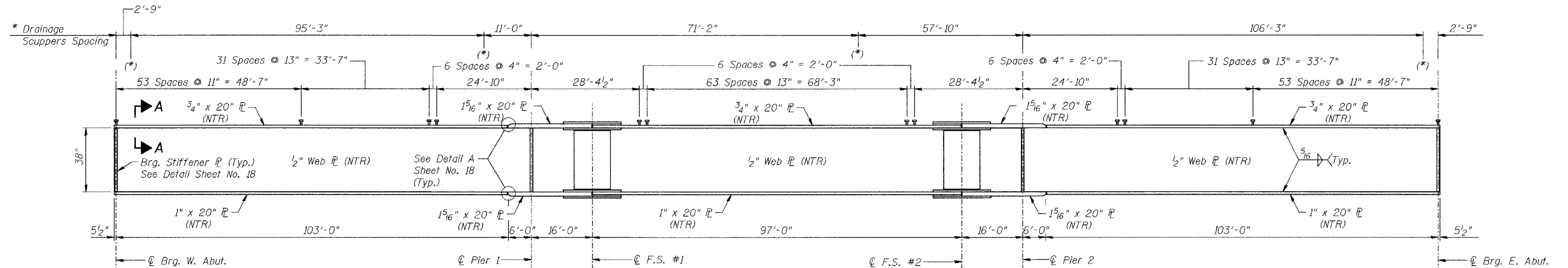
ROUTE NO.	SECTION	COUNTY	SHEET	SHEET NO.
FAP 305	*	Cook	193 146	17

Contract No. 62878 *1313.1 B

37 SHEETS



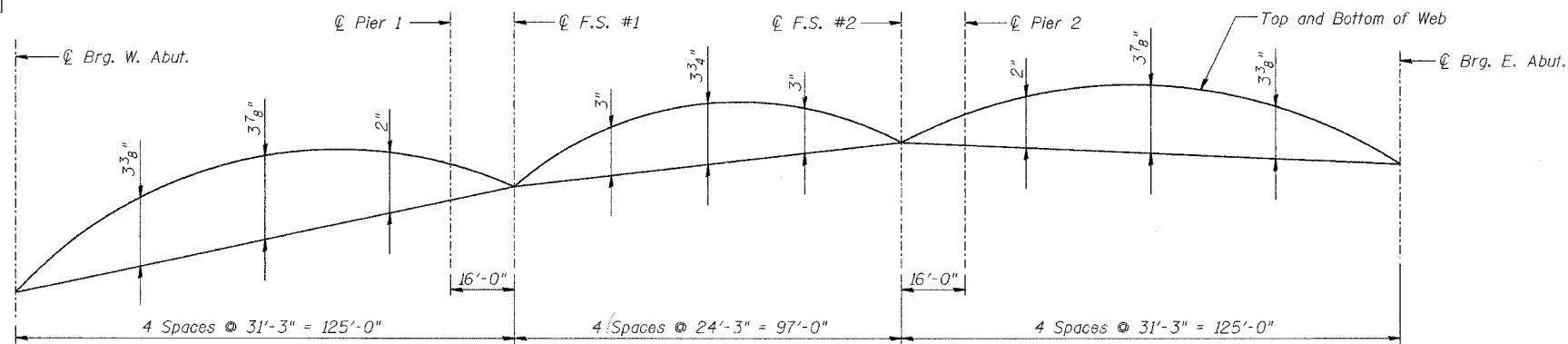
FRAMING PLAN



GIRDER ELEVATION

* Note: Arrange Shear Studs to clear each side of Drainage Scupper by 3" (min.) at Girders 1 and 10.

(Girders Stiffeners and Splice Plates shall be AASHTO M 270, Grade 50.)
("NTR" denotes plates to which notch toughness requirements are applicable.)



CAMBER DIAGRAM

- NOTES:
1. For Top of Web Elevations, See Sheet No. 18.
 2. For Section A-A, See Sheet No. 18.

DESIGNED	MJW
CHECKED	GAT
DRAWN	MJW
CHECKED	GAT

FRAMING PLAN
PALATINE ROAD OVER
IL. RT. 83 (ELMHURST ROAD)
F.A.P. RTE. 305 SECT. 1313.1 B
COOK COUNTY
STATION 363+77.17
STRUCTURE NO. 016-2812