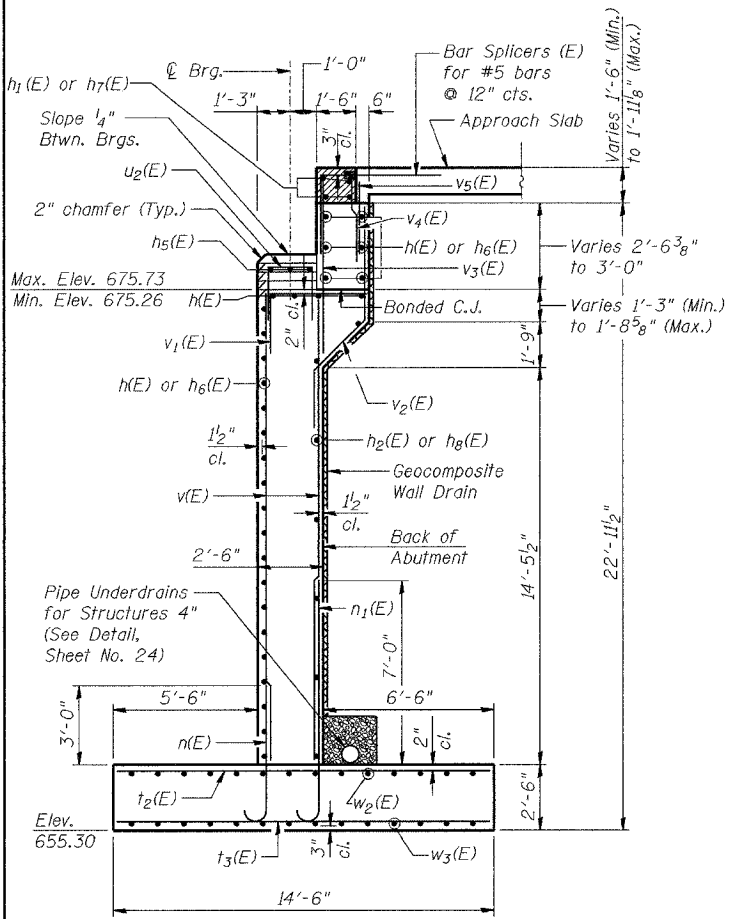
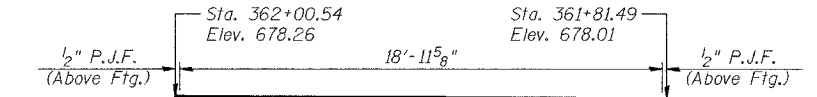


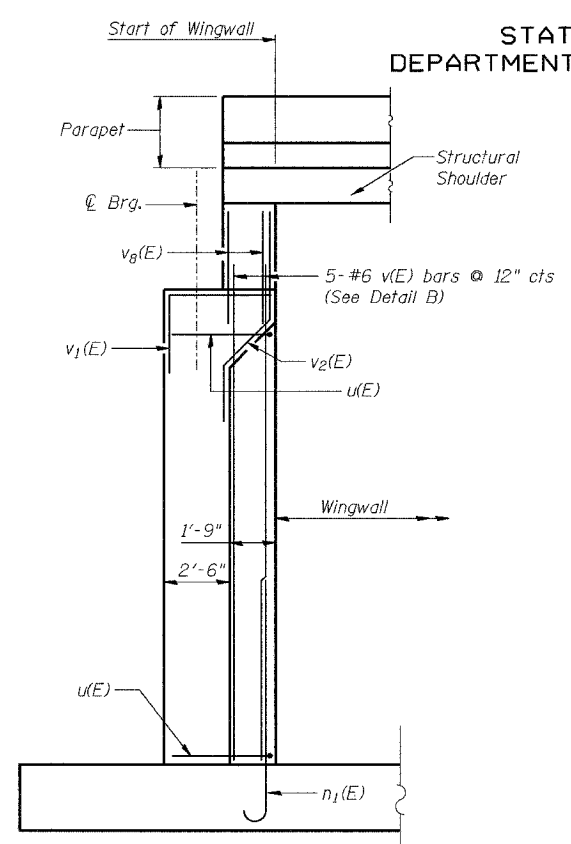
STATE OF ILLINOIS
DEPARTMENT OF TRANSPORTATION

ROUTE NO.	SECTION	COUNTY	DATE	SHEET	SHEET NO. 23
FAP 305	*	Cook	193	152	37 SHEETS

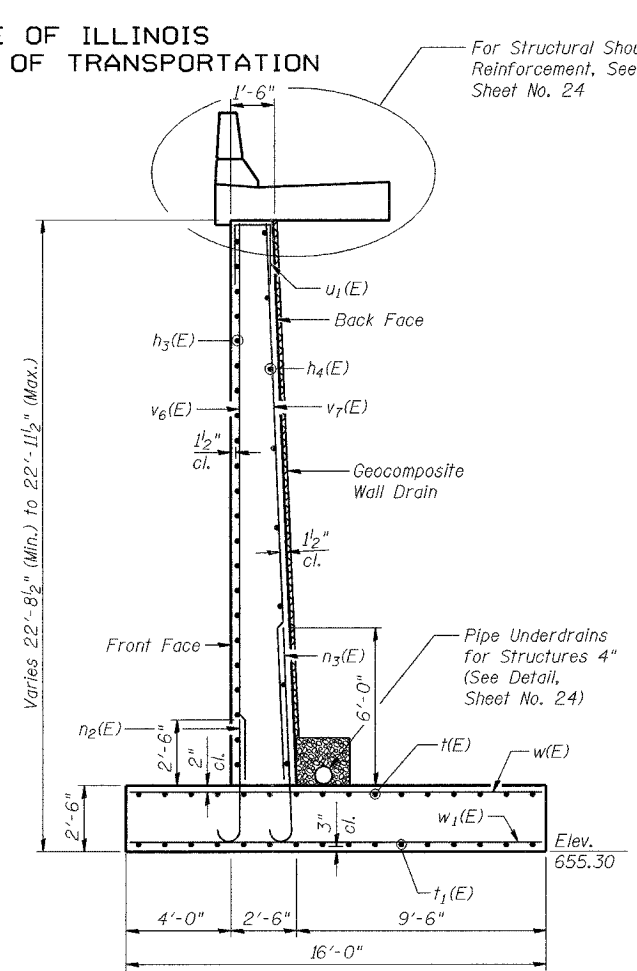
Contract No. 62878 *1313.1 B



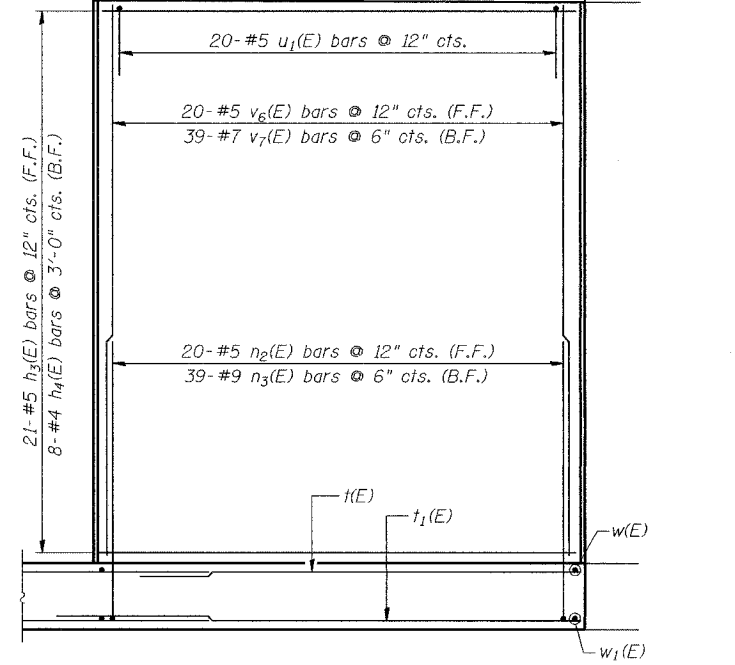
SECTION THRU ABUTMENT



SECTION A-A
(Drainage not shown for clarity)



SECTION THRU WING WALL



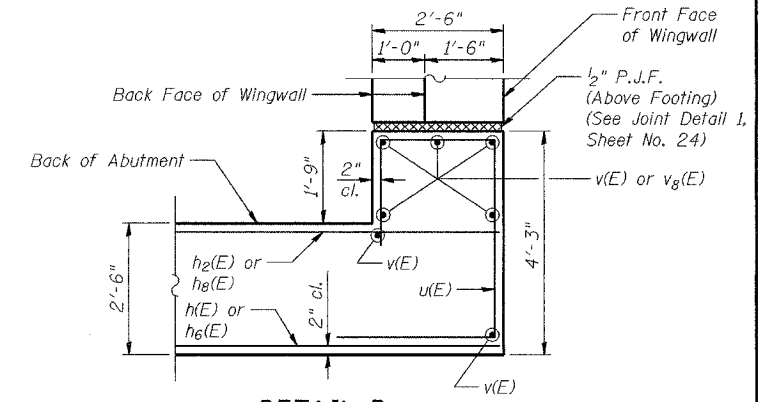
WING WALL ELEVATION

MIN. BAR LAP

- #4 - 1'-8"
- #5 - 2'-2"
- #6 - 2'-7"
- #7 - 3'-5"
- #8 - 4'-6"
- #9 - 5'-9"

LEGEND

- F.F. = Front Face
- B.F. = Back Face

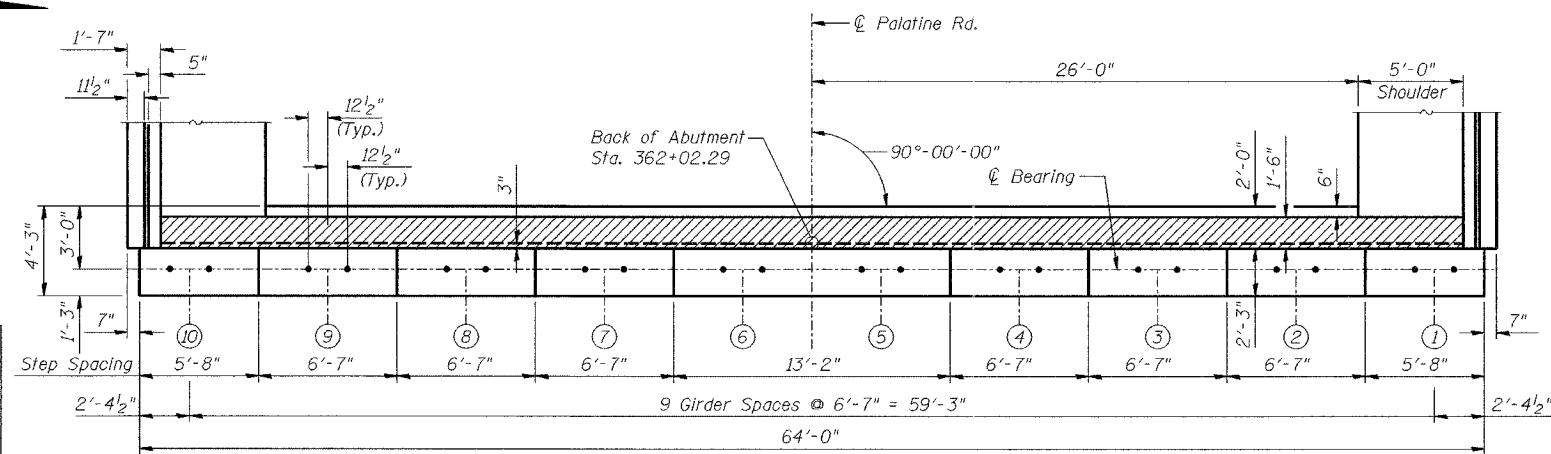
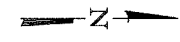


DETAIL B

(Drainage not shown for clarity)

Notes:

- Reinforcement bars designated (E) shall be epoxy coated.
- All edges shall have standard 3/4" chamfers except as noted.
- Pour steps monolithically with cap.
- Hatched area to be poured after superstructure forms have been removed. Quantity of concrete included with "Concrete Superstructure".
- Space reinforcement in cap to miss Anchor Bolts.
- Work this sheet with Sheet No. 22 and No. 24.



TOP VIEW

DESIGNED	MJW
CHECKED	GAT
DRAWN	MJW
CHECKED	GAT

WEST ABUTMENT DETAILS - I
PALATINE ROAD OVER
IL. RT. 83 (ELMHURST ROAD)
F.A.P. RTE. 305 SECT. 1313.1 B
COOK COUNTY
STATION 363+77.17
STRUCTURE NO. 016-2812