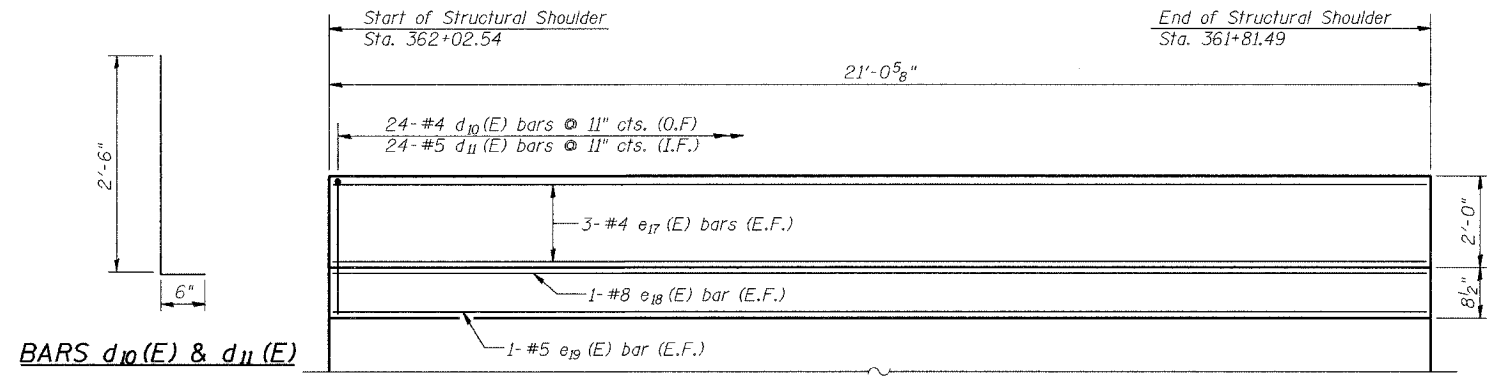
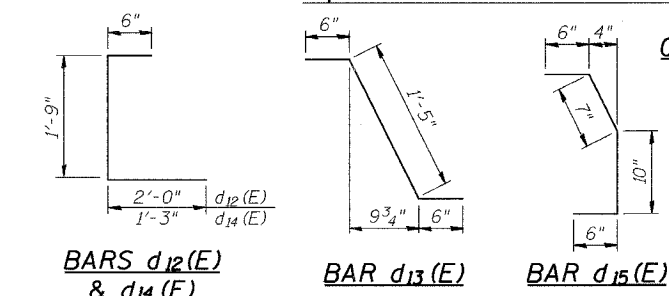


STRUCTURAL SHOULDER PLAN



OUTSIDE ELEVATION OF PARAPET

BARS d10(E) & d11(E)



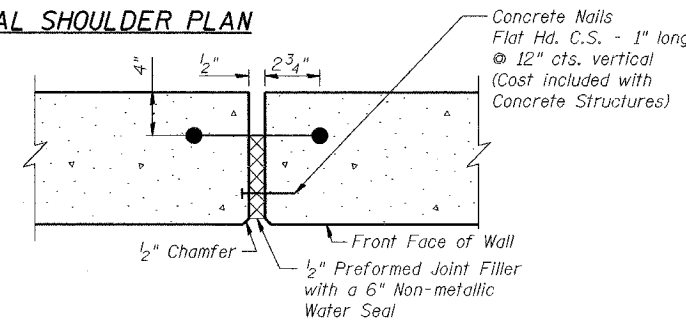
BARS d12(E) & d14(E)

BAR d13(E)

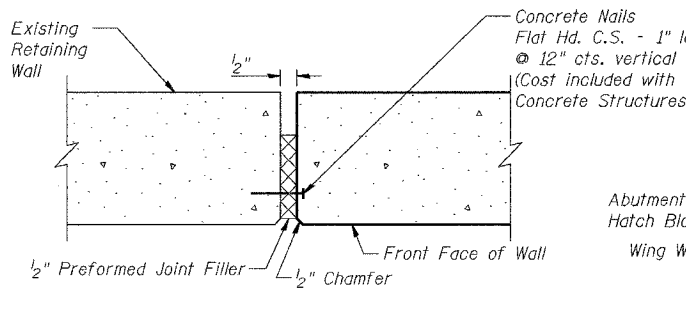
BAR d15(E)

WEST ABUT. SHOULDER & PARAPET BILL OF MATERIAL

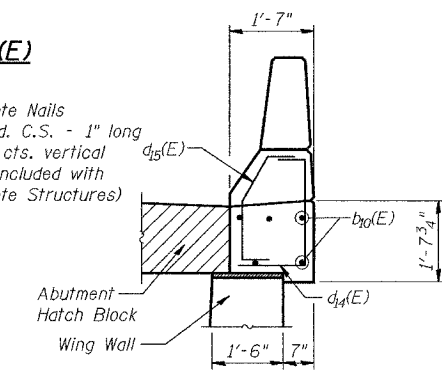
Bar	No.	Size	Length	Shape
d10(E)	88	#6	6'-3"	—
d11(E)	22	#6	2'-0"	—
b10(E)	30	#5	20'-7"	—
d10(E)	48	#4	3'-0"	—
d11(E)	48	#5	3'-0"	—
d12(E)	44	#4	4'-3"	—
d13(E)	44	#5	2'-5"	—
d14(E)	4	#4	3'-6"	—
d15(E)	4	#5	2'-5"	—
e17(E)	12	#4	20'-7"	—
e18(E)	4	#8	20'-7"	—
e19(E)	4	#5	20'-7"	—
Reinforcement Bars, Epoxy Coated			Pound	2,510
Concrete Superstructure			Cu. Yd.	4.3
Porous Granular Embankment			Cu. Yd.	2.1
Concrete Structures			Cu. Yd.	14.2



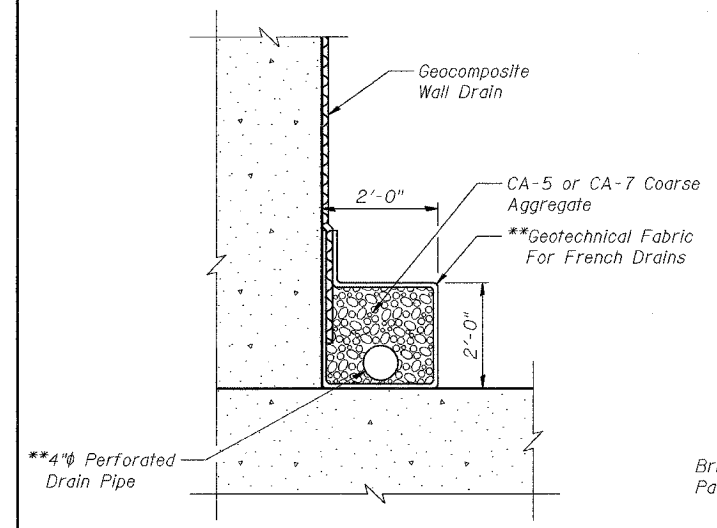
JOINT DETAIL 1
(Reinforcement not shown for clarity)



JOINT DETAIL 2
(Reinforcement not shown for clarity)

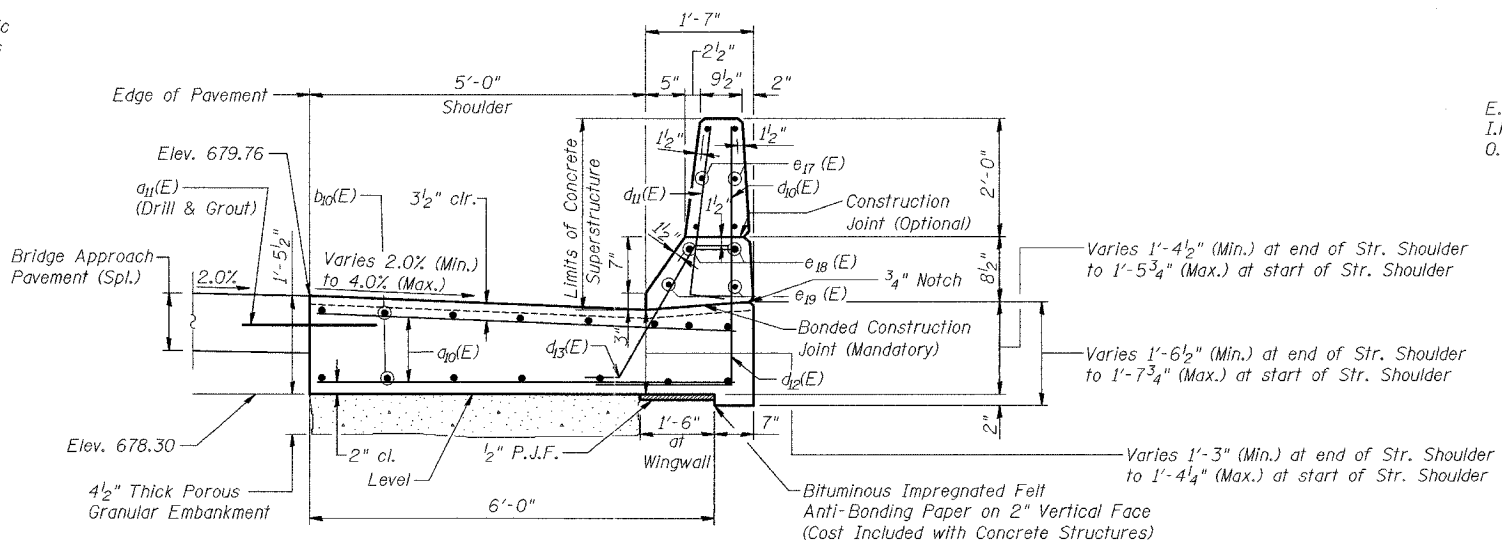


SECTION C-C
(See Detail A for Parapet Detail)



PIPE UNDERDRAIN DETAIL

** Cost included with Pipe Underdrains for Structures 4"



DETAIL A

LEGEND

E.F. = Each Face
I.F. = Inside Face
O.F. = Outside Face

Notes:
Reinforcement bars designated (E) shall be epoxy coated.
All edges shall have standard 3/4" chamfers except as noted.
Cost of P.J.F. included with "Concrete Structures".
Cost of Drilling and Grouting a11(E) bars into Bridge Approach Pavement included with "Reinforcement Bars, Epoxy Coated".
Work this sheet with Sheet No. 22 and No. 23.

WEST ABUTMENT DETAILS - II
PALATINE ROAD OVER
IL. RT. 83 (ELMHURST ROAD)
F.A.P. RTE. 305 SECT. 1313.1 B
COOK COUNTY
STATION 363+77.17
STRUCTURE NO. 016-2812

DESIGNED	MJW
CHECKED	GAT
DRAWN	MJW
CHECKED	GAT