

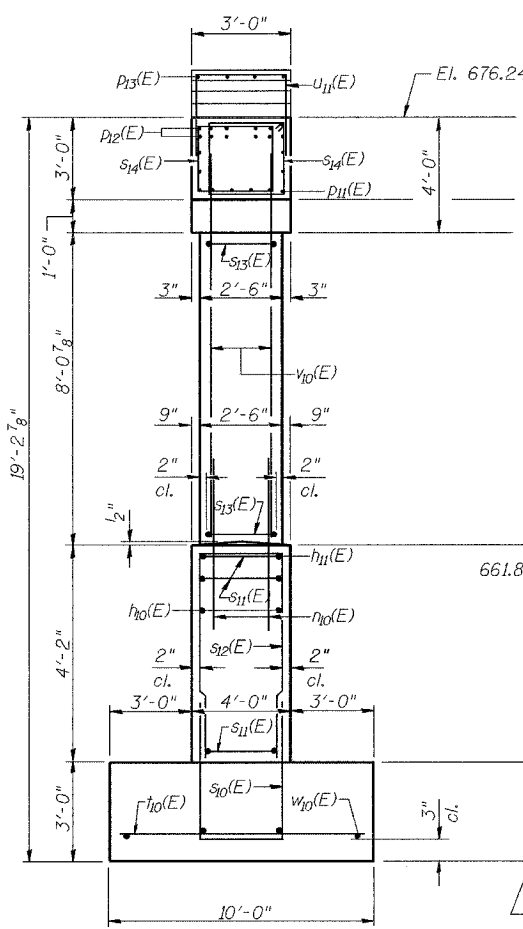
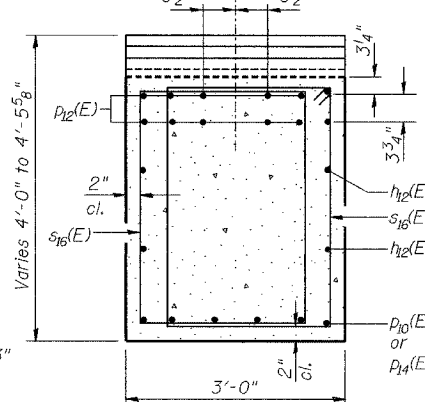
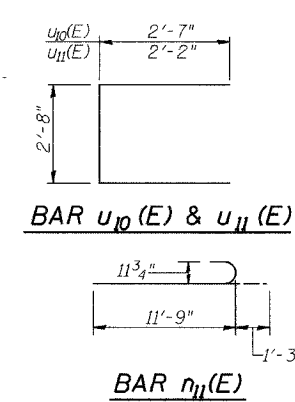
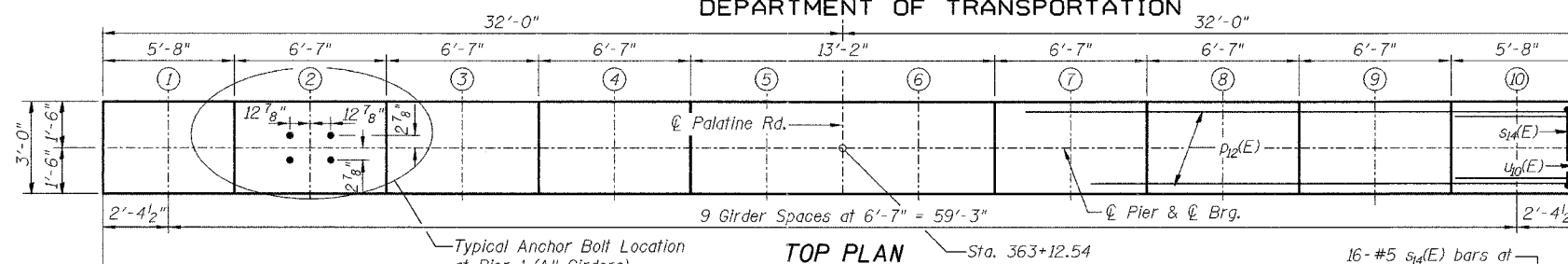
STATE OF ILLINOIS
DEPARTMENT OF TRANSPORTATION

ROUTE NO.	SECTION	COUNTY	TOTAL SHEETS	SHEET NO.	SHEET NO. 29
FAP 305	*	Cook	193	158	37 SHEETS

Contract No. 62878 *1313.1 B

Note:

Space reinforcement in cap to miss anchor bolts.
Pour steps monolithically with cap.
All edges shall have standard 3/4" chamfers, except as noted.

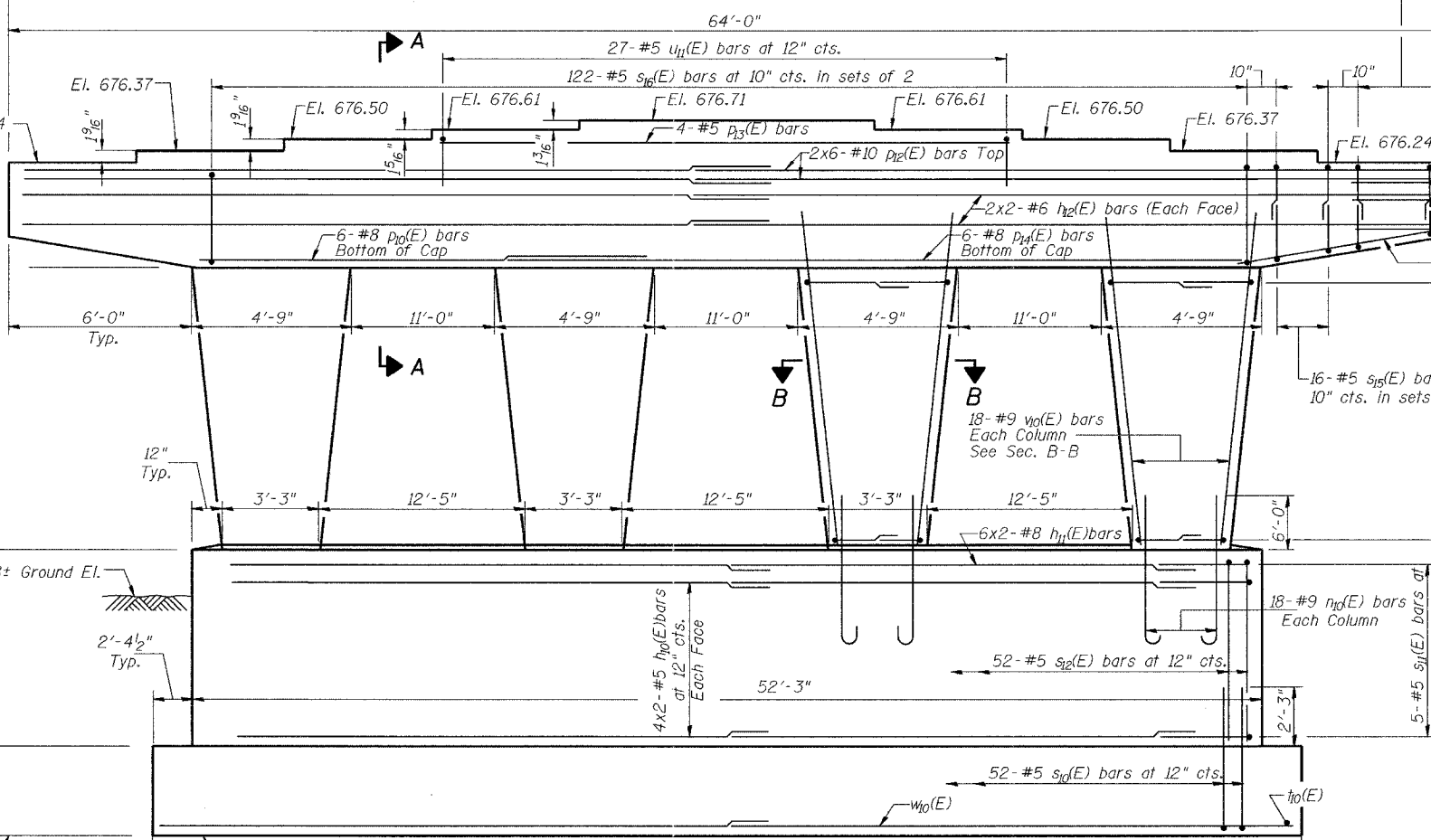


END VIEW

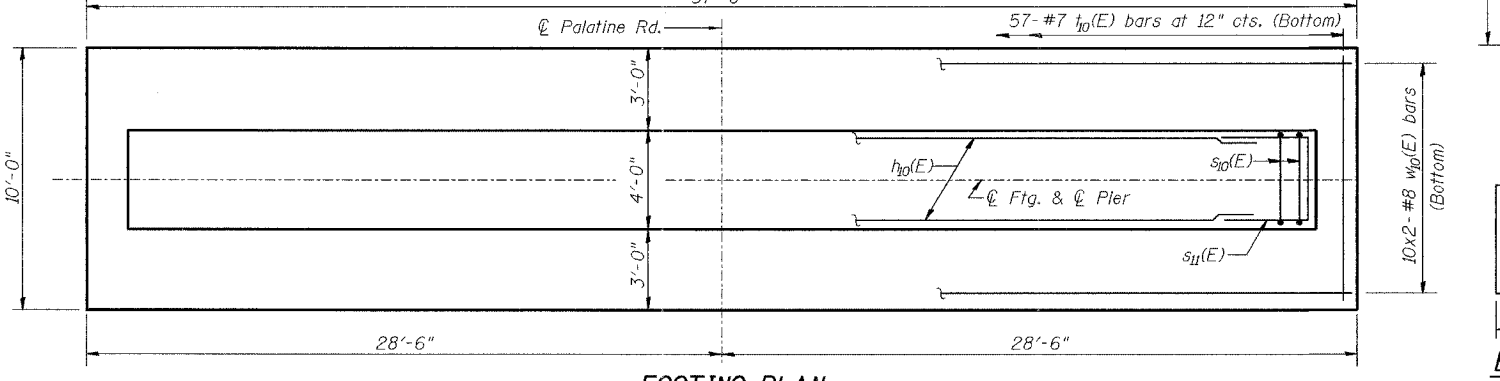
MINIMUM BAR LAPS

- #4 = 1'-8"
- #5 = 2'-2"
- #6 = 2'-7"
- #8 = 4'-6"
- #9 = 5'-9"
- #10 = 7'-3"

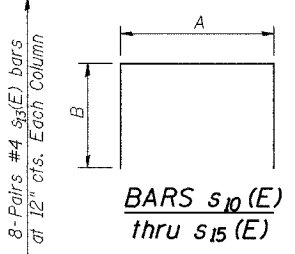
DESIGNED	MJW
CHECKED	GAT
DRAWN	MJW
CHECKED	GAT



ELEVATION (Looking East)

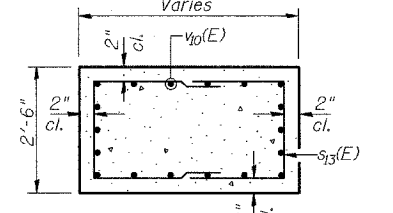


FOOTING PLAN

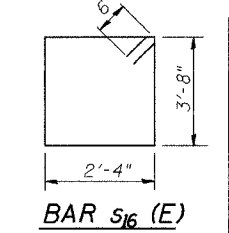


A & B DIMENSIONS

Bar	A	B
s10(E)	3'-8"	5'-0"
s11(E)	3'-8"	2'-4"
s12(E)	3'-8"	3'-8"
s13(E)	2'-2"	3'-0"
s14(E)	2'-4"	2'-8"
s15(E)	2'-4"	2'-11"



SECTION B-B



BAR s16(E)

BILL OF MATERIAL

Bar	No.	Size	Length	Shape
h10(E)	16	#5	27'-1"	
h11(E)	12	#8	28'-3"	
h12(E)	8	#6	33'-2"	
p10(E)	72	#9	13'-0"	
p11(E)	6	#8	20'-0"	
p12(E)	12	#8	5'-8"	
p13(E)	24	#10	35'-6"	
p14(E)	4	#5	26'-0"	
p15(E)	6	#8	36'-2"	
s10(E)	52	#5	13'-8"	
s11(E)	10	#5	8'-4"	
s12(E)	52	#5	11'-0"	
s13(E)	64	#4	8'-2"	
s14(E)	32	#5	7'-8"	
s15(E)	32	#5	8'-2"	
s16(E)	122	#5	13'-0"	
u10(E)	57	#7	9'-8"	
u11(E)	6	#6	7'-10"	
u12(E)	27	#5	7'-0"	
v10(E)	72	#9	10'-6"	
w10(E)	20	#8	30'-7"	

Structure Excavation	Cu. Yd.	224.1
Concrete Structures	Cu. Yd.	137.4
Reinforcement Bars, Epoxy Coated	Pound	19,350

Reinforcement Bars designated (E) shall be epoxy coated.
Bars indicates thus 20x3-#6 etc. indicates 20 lines of bars with 3 length per line.

PIER NO. 1
PALATINE ROAD OVER
IL. RT. 83 (ELMHURST ROAD)
F.A.P. RTE. 305 SECT. 1313.1 B
COOK COUNTY
STATION 363+77.17
STRUCTURE NO. 016-2812