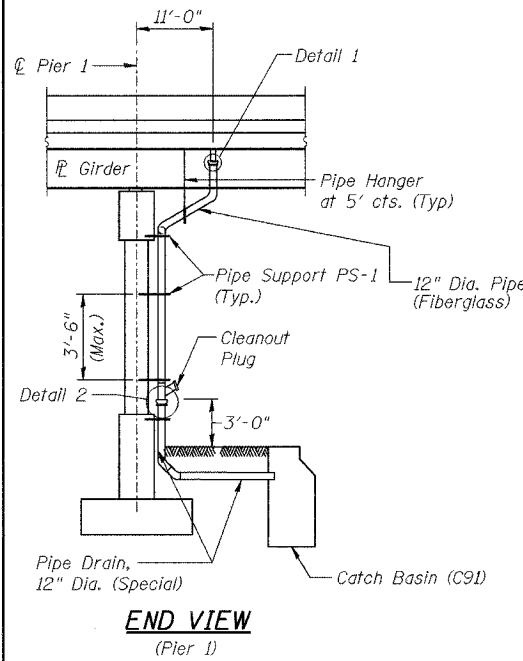
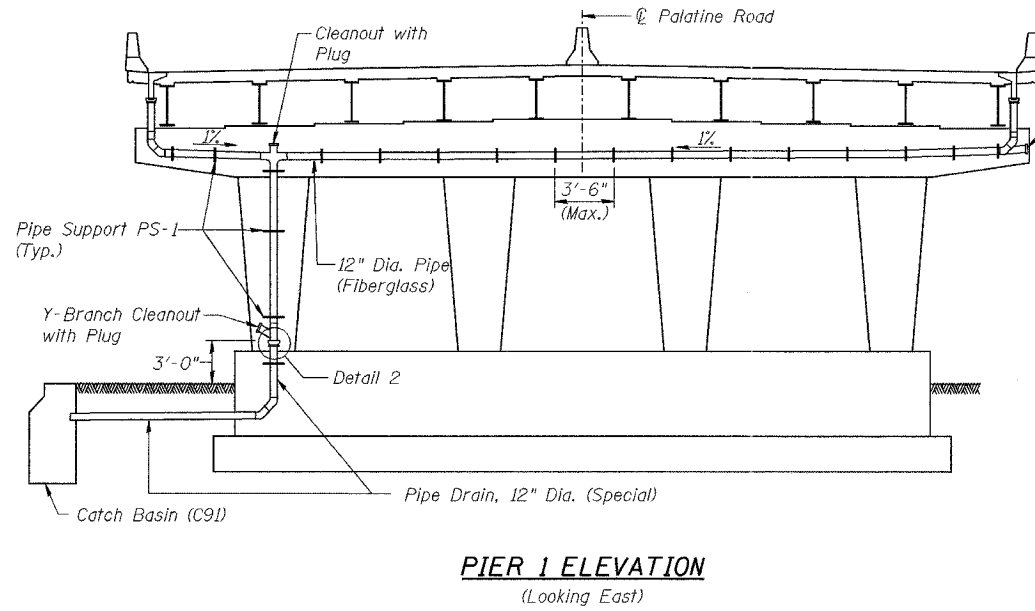


STATE OF ILLINOIS  
DEPARTMENT OF TRANSPORTATION

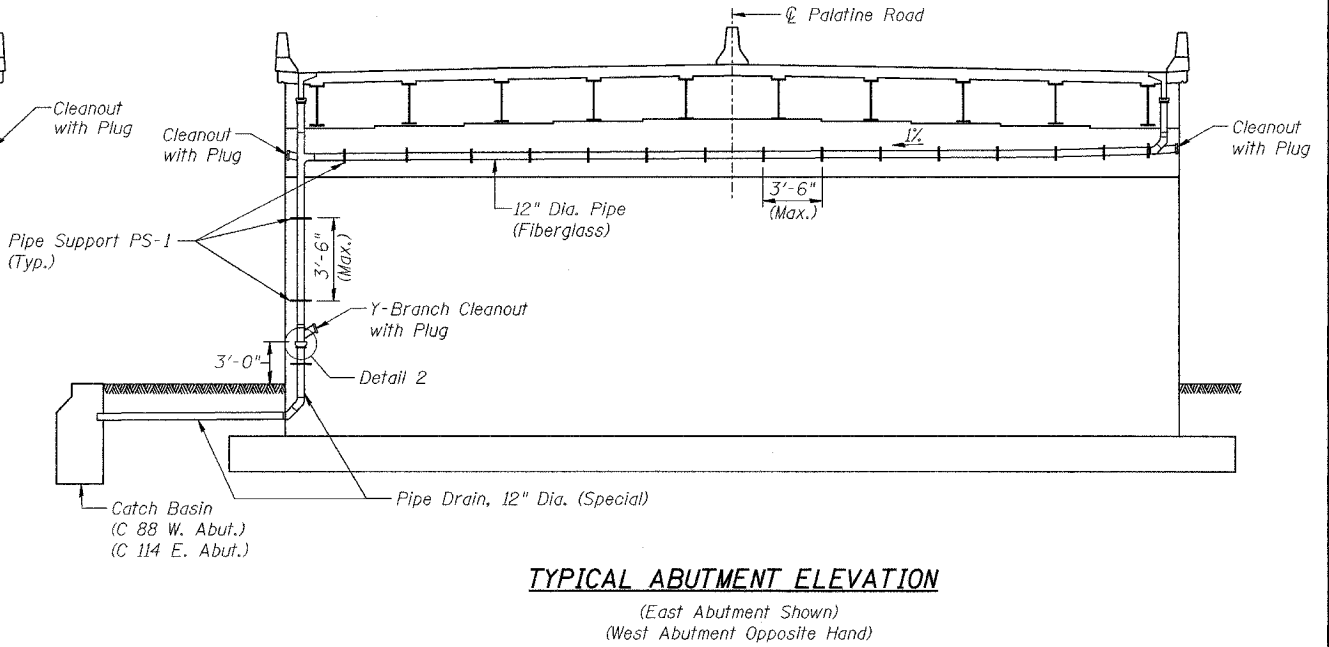
ROUTE NO.	SECTION	COUNTY	DATE	SHEET	SHEET NO. 32
FAP 305	*	Cook	193	161	37 SHEETS
Contract No. 62878 *1313.1 B					



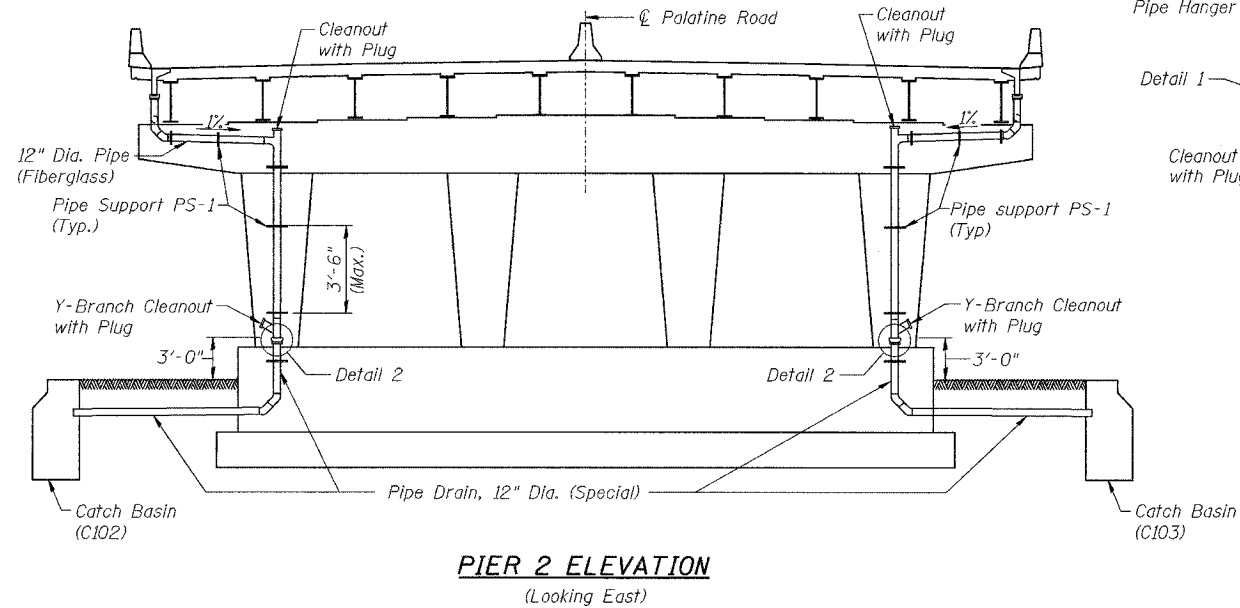
**END VIEW**  
(Pier 1)



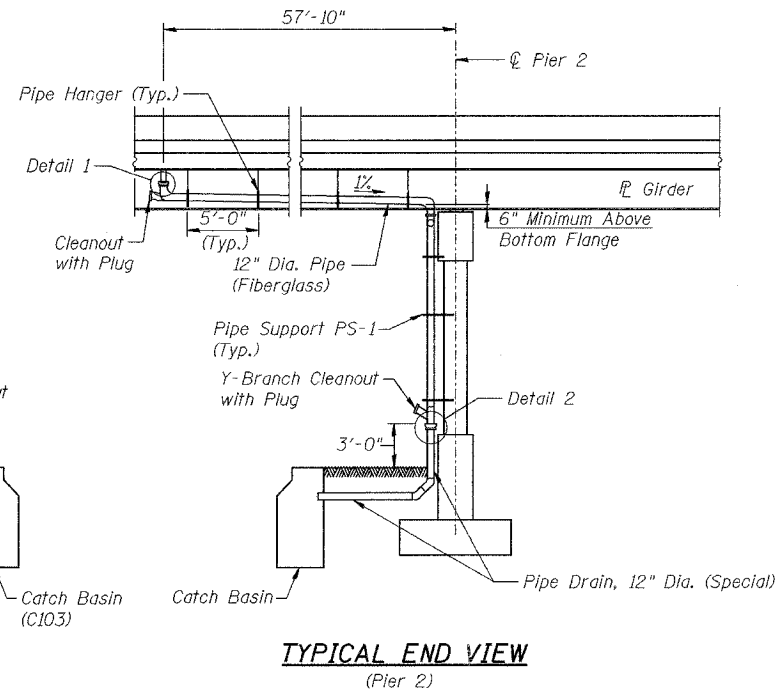
**PIER 1 ELEVATION**  
(Looking East)



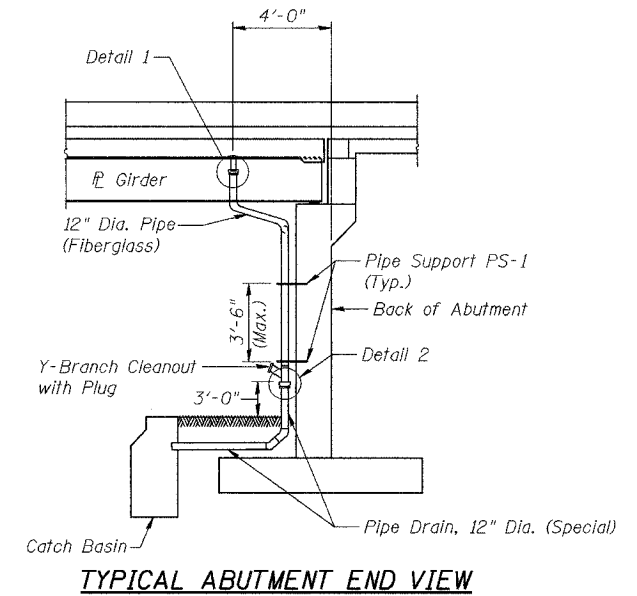
**TYPICAL ABUTMENT ELEVATION**  
(East Abutment Shown)  
(West Abutment Opposite Hand)



**PIER 2 ELEVATION**  
(Looking East)



**TYPICAL END VIEW**  
(Pier 2)



**TYPICAL ABUTMENT END VIEW**

DESIGNED	MJW
CHECKED	GAT
DRAWN	MJW
CHECKED	GAT

Note:  
Work this sheet with Sheet No. 31.

**BRIDGE DRAINAGE SYSTEM (2 OF 2)**  
**PALATINE ROAD OVER**  
**IL. RT. 83 (ELMHURST ROAD)**  
**F.A.P. RTE. 305 SECT. 1313.1 B**  
**COOK COUNTY**  
**STATION 363+77.17**  
**STRUCTURE NO. 016-2812**