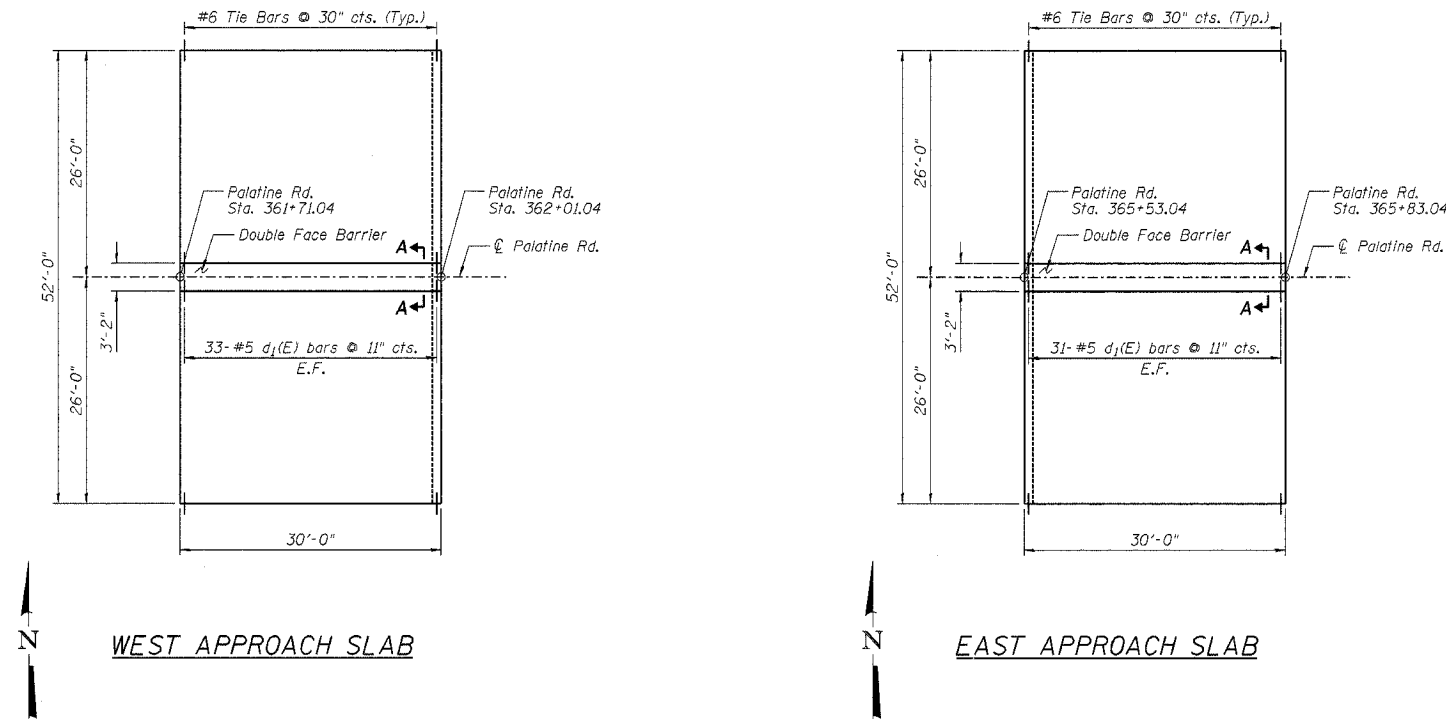


STATE OF ILLINOIS
DEPARTMENT OF TRANSPORTATION

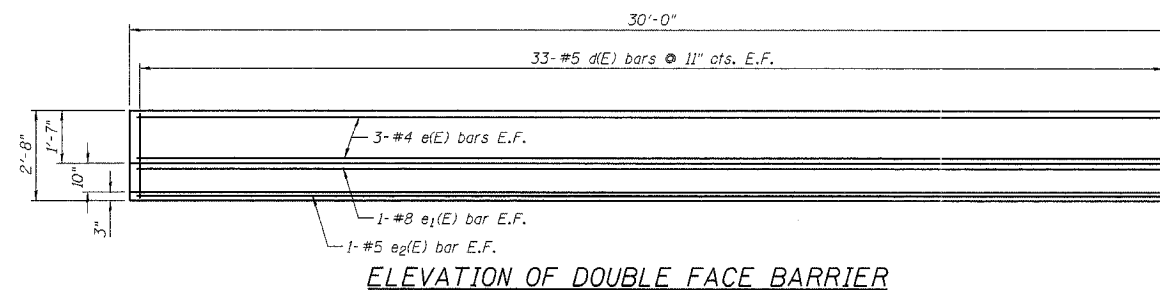
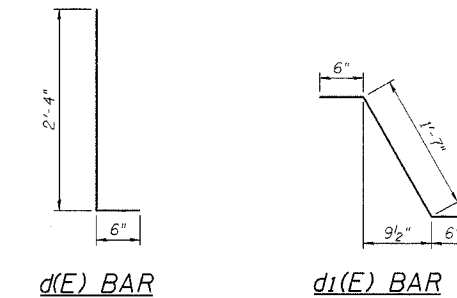
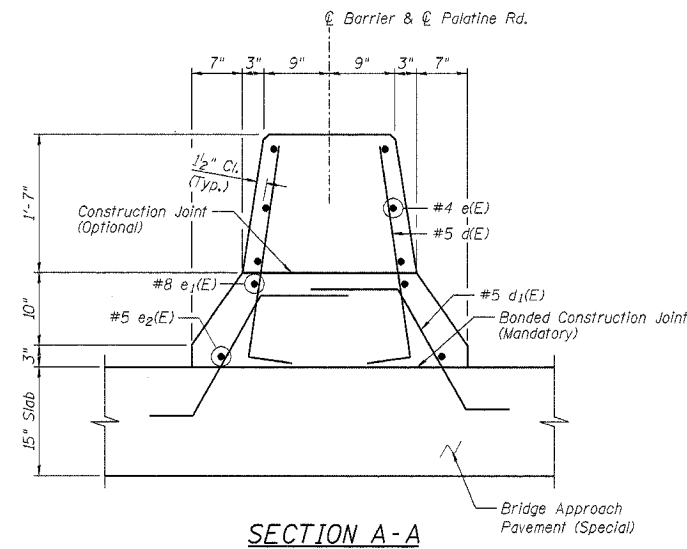
ROUTE NO.	SECTION	COUNTY	TOTAL SHEETS	SHEET NO.	SHEET NO. 1 1 SHEETS
S.B.L. F.A.P. 305	#	COOK	193	167	
FED. ROAD DIST.		ILLINOIS	FED. AID PROJECT		
*1313.1 B		Contract No. 62878			



TWO DOUBLE FACE BARRIERS
BILL OF MATERIAL

Bar	No.	Size	Length	Shape
d(E)	132	#5	2'-10"	
d1(E)	132	#5	2'-7"	
e(E)	12	#4	29'-8"	—
e1(E)	4	#8	29'-8"	—
e2(E)	4	#5	29'-8"	—
Item		Unit	Quantity	
Concrete Superstructure		Cu. Yd.	12.7	
Reinforcement Bars, Epoxy Coated		Pound	1,430	

Reinforcement bars designated (E) shall be epoxy coated.
For additional approach pavement details, see Roadway Plans Standard 420401-05.
For quantity of Bridge Approach Pavement (Special), see Roadway Plans.
Quantities shown for information only. Cost is included with Bridge Approach Pavement (Special).
Concrete edges shall have a 3/4" chamfer.



BRANCO & ZROKA ENGINEERING, P.C.
DESIGNED LAS
CHECKED DAZ
DRAWN SAW
CHECKED DAZ
January 2004



Dibrah A. Bron 12/20/04
Signature Date
11-30-06
Expires

APPROACH SLAB DETAILS
PALATINE ROAD OVER
IL RT. 83 (ELMHURST RD)
F.A.P. RTE. 305 SECT. 1313.1 B
COOK COUNTY
STA. 363+77.17
STRUCTURE NO. 016-2812