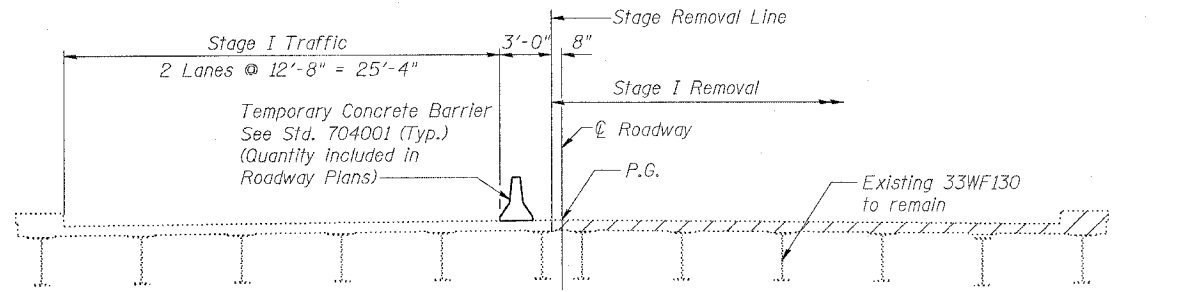
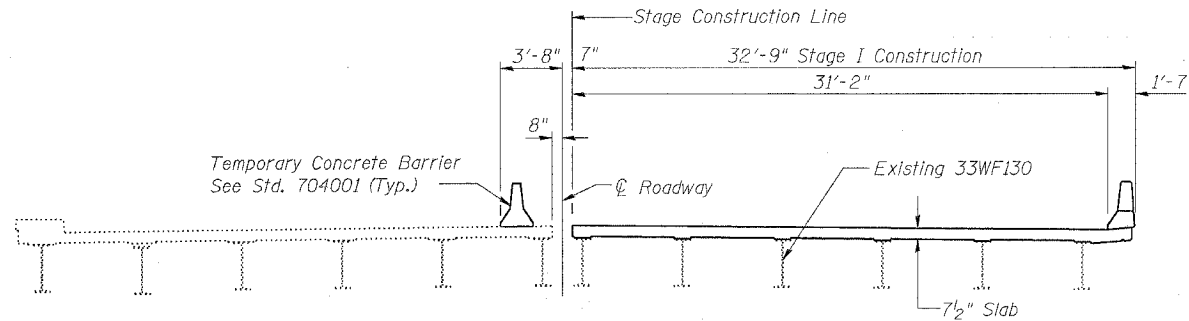


STATE OF ILLINOIS
DEPARTMENT OF TRANSPORTATION

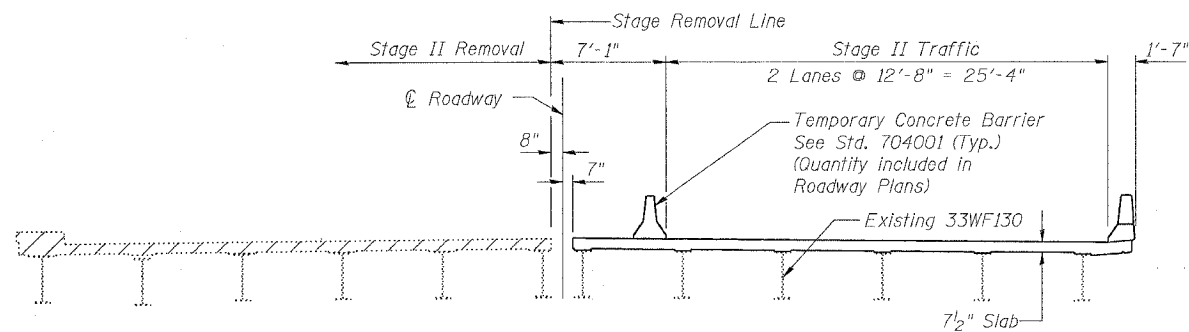
ROUTE NO.	SECTION	COUNTY	TOTAL SHEETS	SHEET NO.	SHEET NO. 2
S.B.I. F.A. 5	19B-2-D	STEPHENSON	57	18	23 SHEETS
FED. ROAD DIST. NO. 7	ILLINOIS	FED. AID PROJECT-			



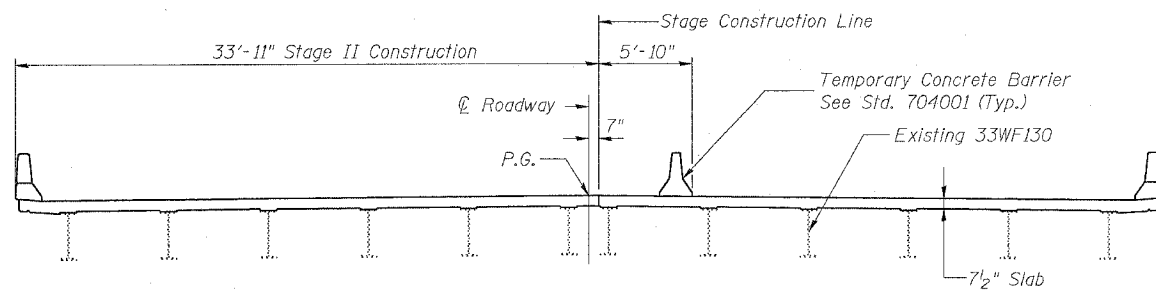
STAGE I REMOVAL
(Looking South)



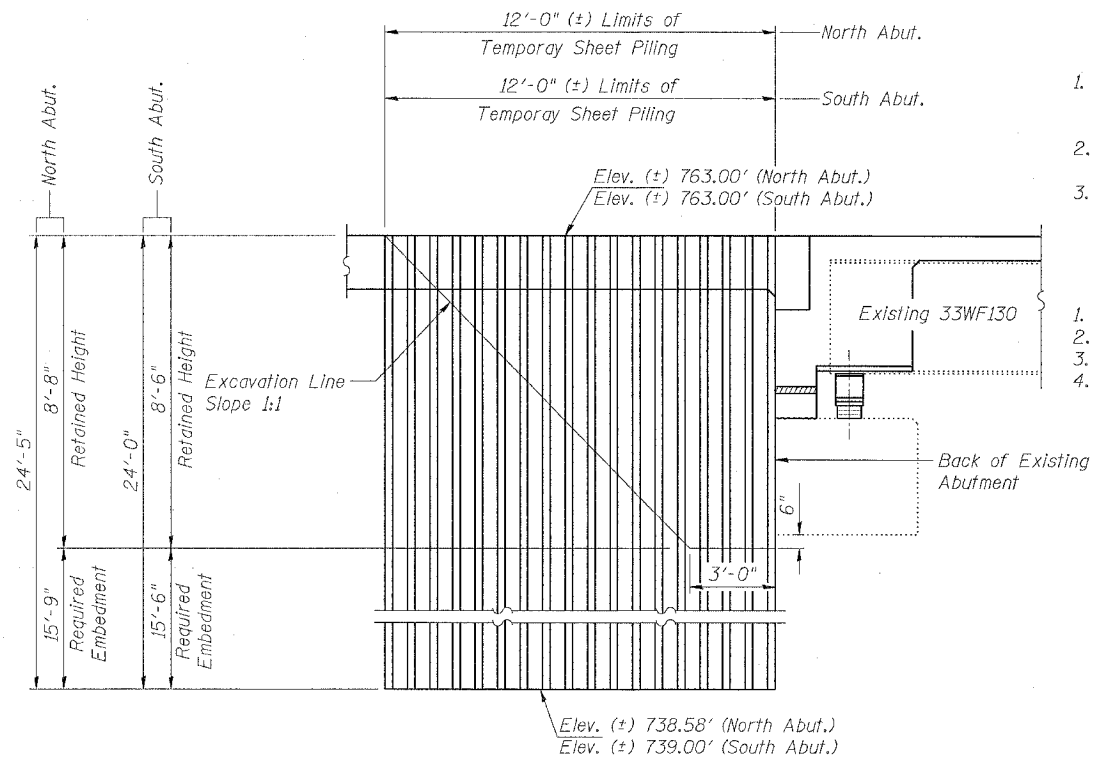
STAGE I CONSTRUCTION
(Looking South)



STAGE II REMOVAL
(Looking South)



STAGE II CONSTRUCTION
(Looking South)



TEMPORARY SHEET PILING AT ABUTMENTS

Notes: If the Contractor chooses to alter the temporary cantilevered sheet piling design requirements shown on the plans for lesser design requirements, then full design submittals with the required seals will be expected by the Department for review and approval.
Minimum Section Modulus of temporary sheet piling shall be 9.54 in.³/ft. of wall.
Information shown is estimated and may vary in the field.

STAGE I REMOVAL

1. Install Temporary Concrete Traffic Barrier as shown to locate traffic to East half of the existing bridge.
2. Install Temporary Sheet Piling as required for excavation of Abutments.
3. Excavate behind existing Abutments up to Stage Construction Line.
4. Proceed with Stage I Removal including Superstructure and Substructure.

STAGE I CONSTRUCTION

1. Construct new Substructure to limits shown.
2. Remove and replace Beam Bearings.
3. Install new Superstructure.
4. Place required backfill behind completed portions of Abutments for construction of approach slabs.

STAGE II REMOVAL

1. Relocate Temporary Concrete Barrier as shown to locate traffic on portion of new bridge deck completed in Stage I.
2. Excavate behind remainder of existing Abutments up to Stage Construction Line.
3. Proceed with Stage II Removal including Superstructure and Substructure.

STAGE II CONSTRUCTION

1. Complete construction of new Substructure.
2. Remove and replace remaining beam bearings.
3. Install remainder of new Superstructure.
4. Complete required backfill behind Abutments for construction of approach slabs.

DESIGNED	L.C.M.	20
CHECKED	S.D.K.	EXAMINED
DRAWN	T.L.N.	PASSED
CHECKED	S.D.K.	ENGINEER OF BRIDGES AND STRUCTURES

Notes: Hatched area indicates "Removal of Existing Concrete Deck".
Location of Stage Removal Line and Stage Construction Line also applies to Abutment bearings, Abutment backwall, Abutment diaphragms, and wingwalls.

STAGE CONSTRUCTION DETAILS
U.S. 20 B.R. OVER YELLOW CREEK
F.A. RT. 5 SEC. 19B-2-D
STEPHENSON COUNTY
STATION 56+25.00
STRUCTURE NUMBER 089-0008

