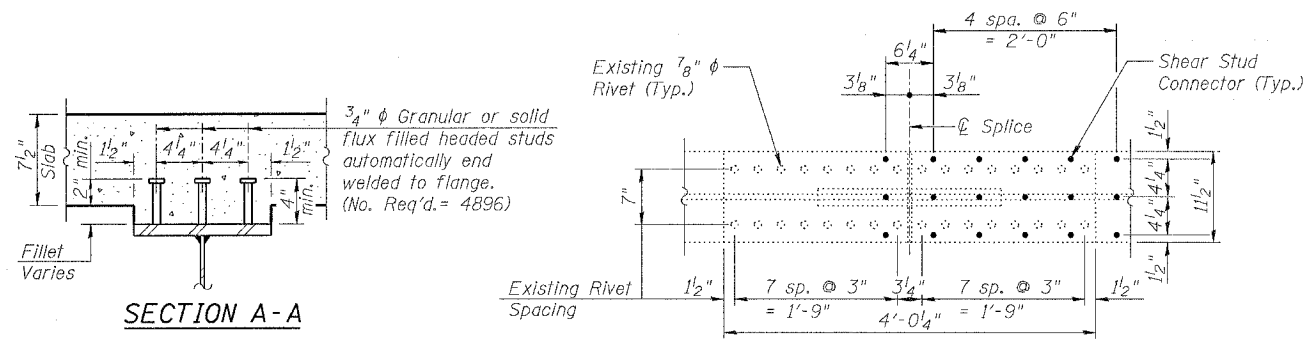
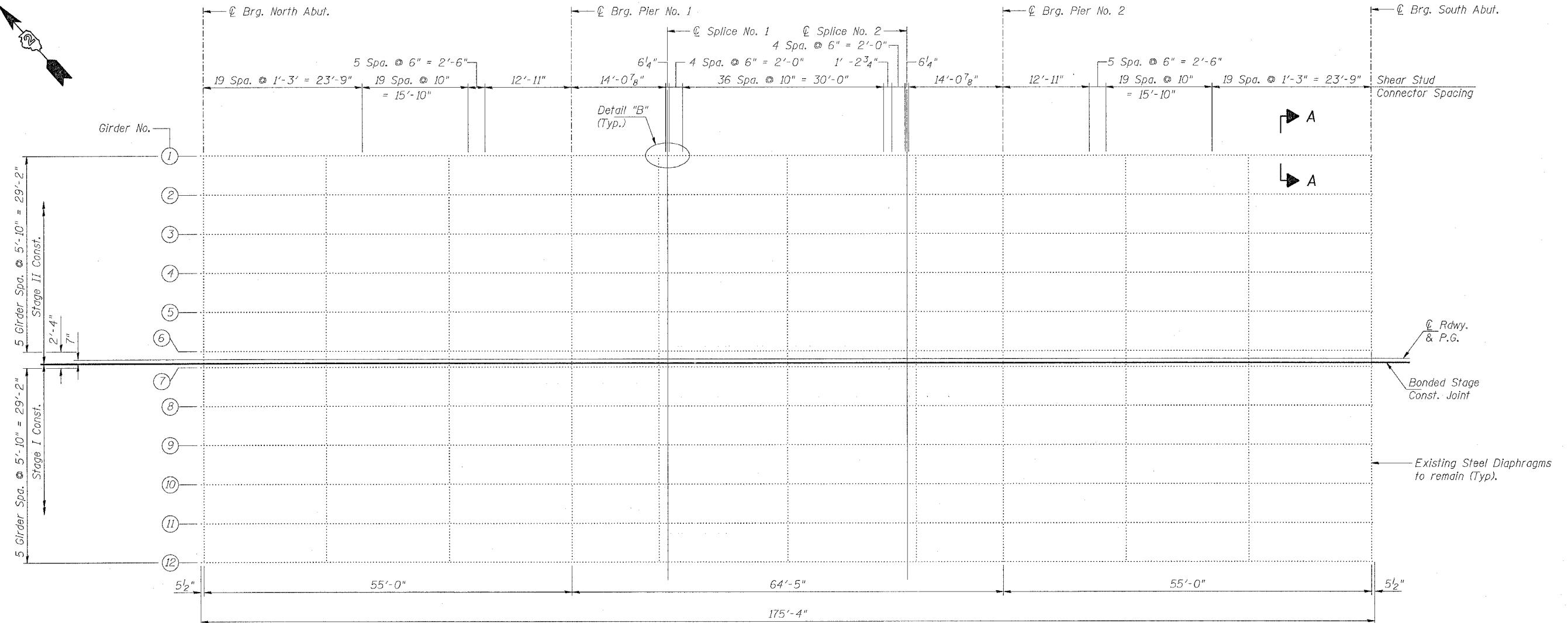
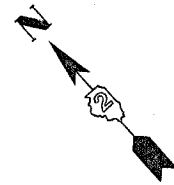


STATE OF ILLINOIS
DEPARTMENT OF TRANSPORTATION

ROUTE NO.	SECTION	COUNTY	TOTAL SHEETS	SHEET NO.	SHEET NO. 11 23 SHEETS
S.B.I. F.A. 5	19B-2-D	STEPHENSON	57	27	
FED. ROAD DIST. NO. 7	BLINDS	FED. AID PROJECT-			



SECTION A-A

DETAIL B

SHEAR STUD CONNECTOR
LOCATION DETAILS
U.S. 20 B.R. OVER YELLOW CREEK
F.A. RT. 5 SEC. 19B-2-D
STEPHENSON COUNTY
STATION 56+25.00
STRUCTURE NUMBER 089-0008

DESIGNED	L.C.M.
CHECKED	S.D.K.
DRAWN	T.L.N.
CHECKED	S.D.K.

EXAMINED	20
PASSED	ENGINEER OF BRIDGE DESIGN
	ENGINEER OF BRIDGES AND STRUCTURES

