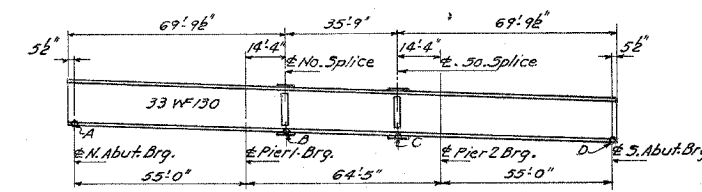
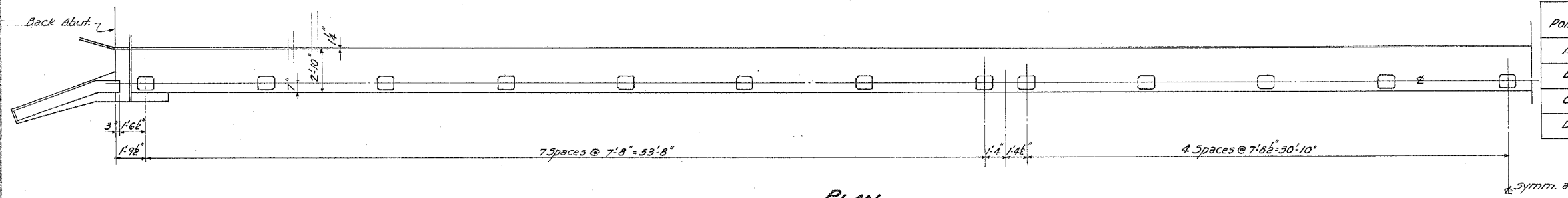


**ELEVATION**



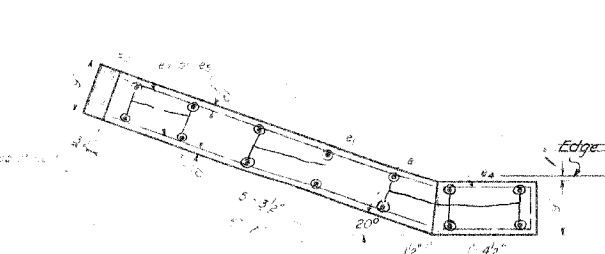
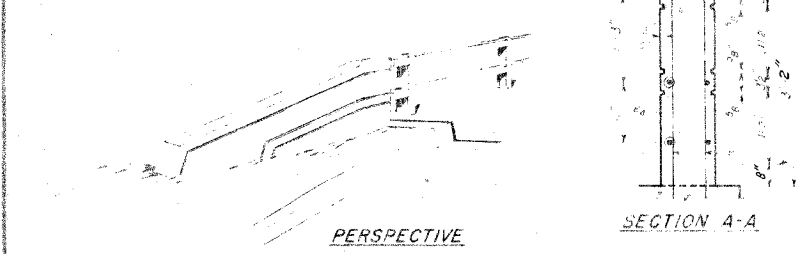
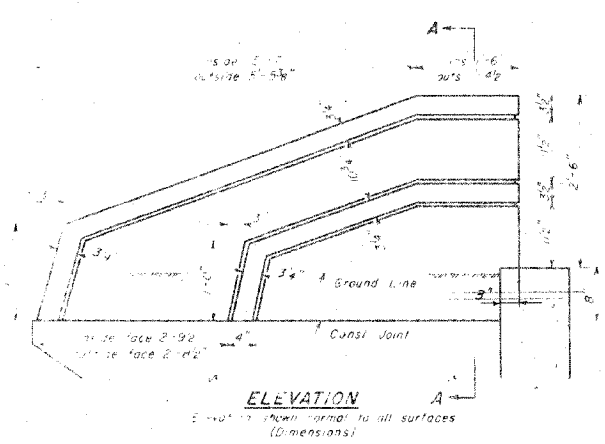
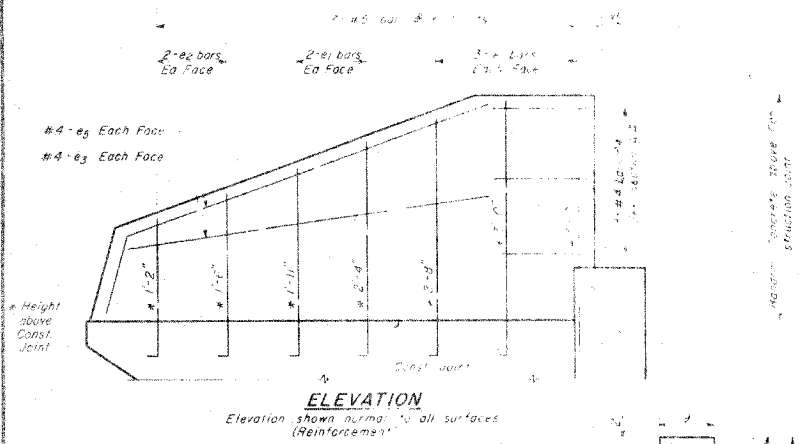
**ELEVATION-SHOWING WORKING POINTS OF BMS.**  
Working Points are at bott. of both flange



**PLAN**

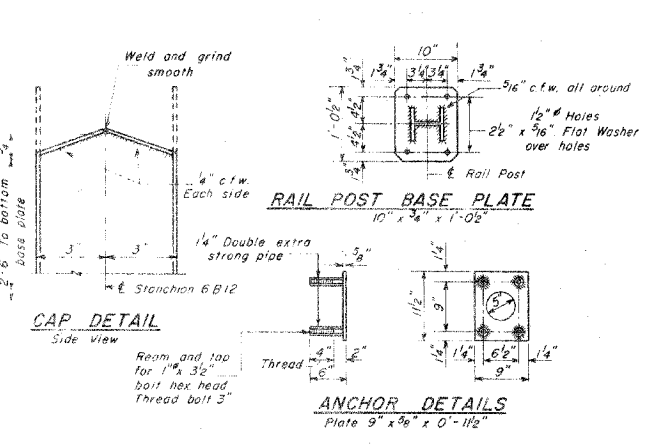
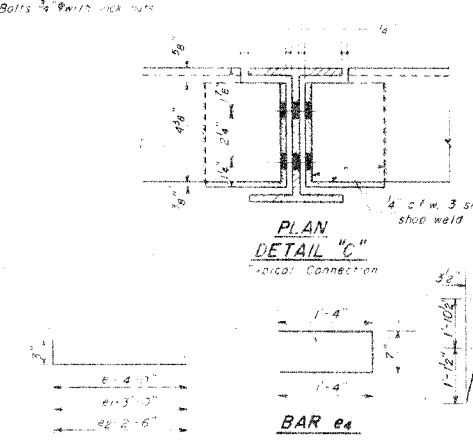
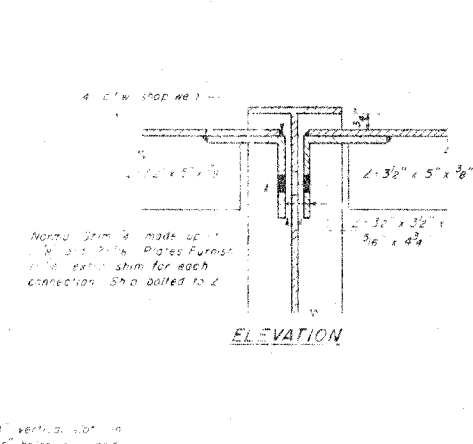
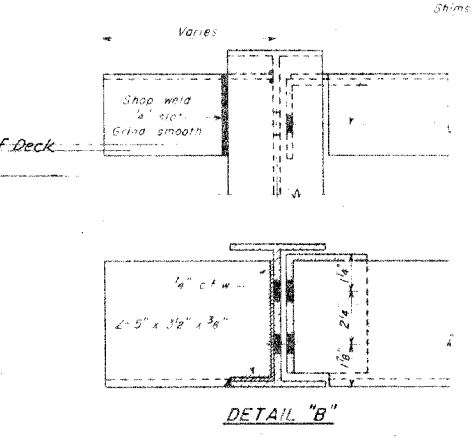
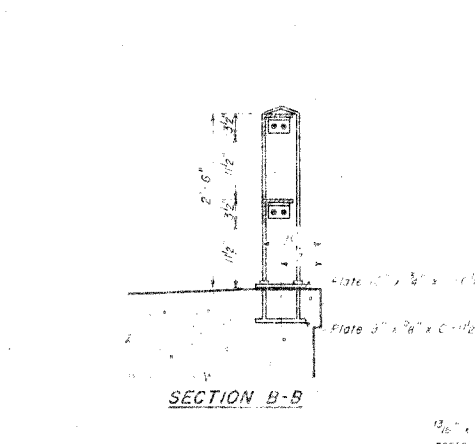
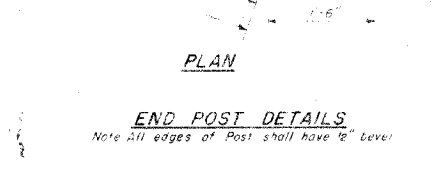
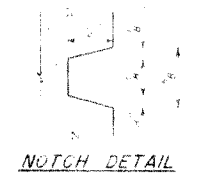
**ELEVATIONS OF WORKING POINTS**

POINT	BEAM No.											
	1	2	3	4	5	6	7	8	9	10	11	12
A	759.109	759.234	759.380	759.505	759.651	759.776	759.776	759.901	760.047	760.172	760.318	760.443
B	759.333	759.393	759.434	759.480	759.534	759.580	759.587	759.600	759.641	759.681	759.729	759.762
C	759.274	759.321	759.378	759.425	759.482	759.523	759.523	759.508	759.497	759.483	759.472	759.483
D	759.216	759.263	759.320	759.367	759.424	759.471	759.471	759.424	759.367	759.320	759.263	759.216



DESIGNED *J. H. Klabalski*  
CHECKED *W. M. Sommer*  
DRAWN *J. H. Klabalski*  
CHECKED *W. M. Sommer*

Mar 22 1955  
*W. M. Sommer*  
*E. H. ...*  
*R. L. ...*



**BILL OF MATERIAL**

Bar	No.	Size	Length	Shape
e	24	#5	4'-3"	
e1	16	#5	3'-3"	
e2	16	#5	2'-9"	
e3	8	#4	5'-3"	
e4	12	#4	3'-3"	
e5	8	#4	6'-6"	
Handrail Concrete		Cu. Yd.	1.8	
Reinforcement Bars		Lb.	300	
Metal Handrail		Lin. Ft.	355.0	

**HANDRAIL & DETAILS**  
**S. B. I. ROUTE 5 - SEC. 19-B/FI**  
**STEPHENSON COUNTY**  
**STATION 56+25**