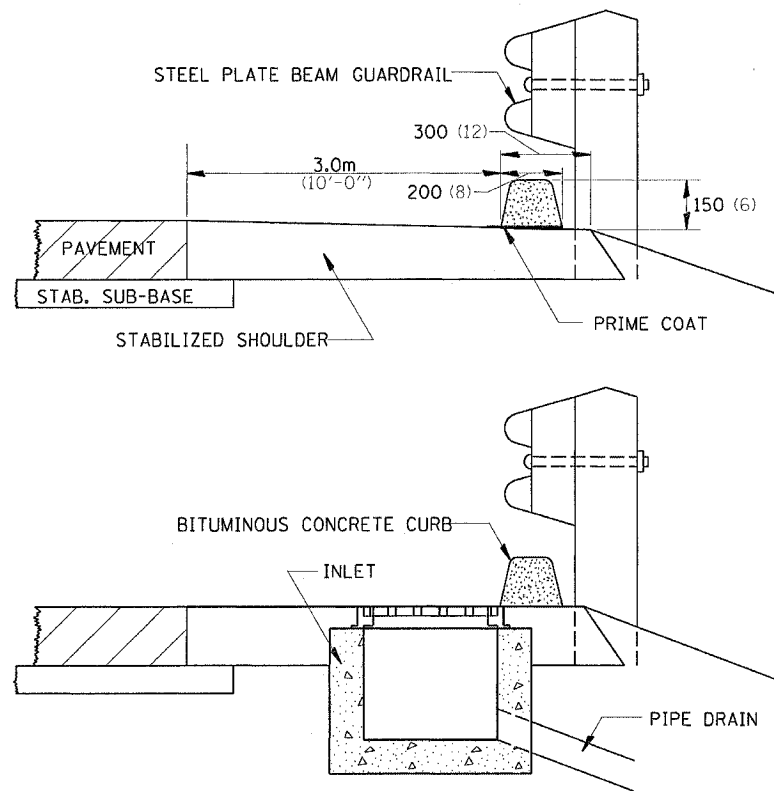
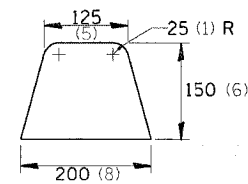


F.A. RTE.	SECTION	COUNTY	TOTAL SHEETS	SHEET NO.
5	198-2-D	STEPHENSON	57	45
STA.		TO STA.		
FED. ROAD DIST. NO.		ILLINOIS FED. AID PROJECT		

BITUMINOUS CONCRETE CURB



CURB DETAIL



GENERAL NOTES

THIS WORK SHALL BE DONE AS SPECIFIED UNDER SECTION 661 OF THE STANDARD SPECIFICATIONS FOR BITUMINOUS CURB.

THE METAL PIPES AND INLETS SHALL BE INSTALLED AS DIRECTED BY THE ENGINEER.

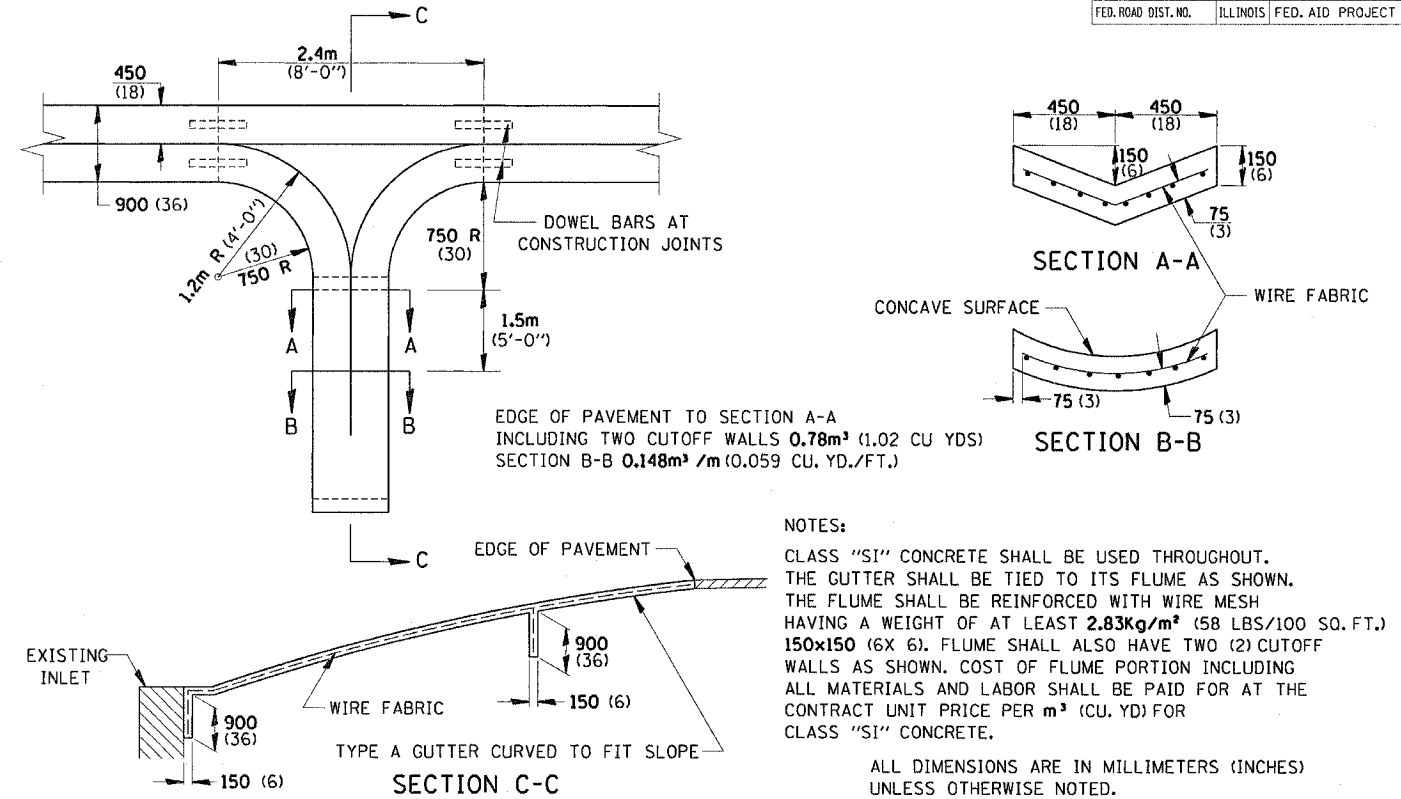
THE BITUMINOUS MATERIALS PRIME COAT SHALL BE CONSIDERED INCIDENTAL TO THE BITUMINOUS CURBS.

ALL DIMENSIONS ARE IN MILLIMETERS (INCHES) UNLESS OTHERWISE SHOWN.

REVISED 5-4-94

10.4

CONCRETE GUTTER, TYPE A, WITH FLUME



EDGE OF PAVEMENT TO SECTION A-A INCLUDING TWO CUTOFF WALLS 0.78m³ (1.02 CU YDS)
SECTION B-B 0.148m³ /m (0.059 CU. YD./FT.)

NOTES:

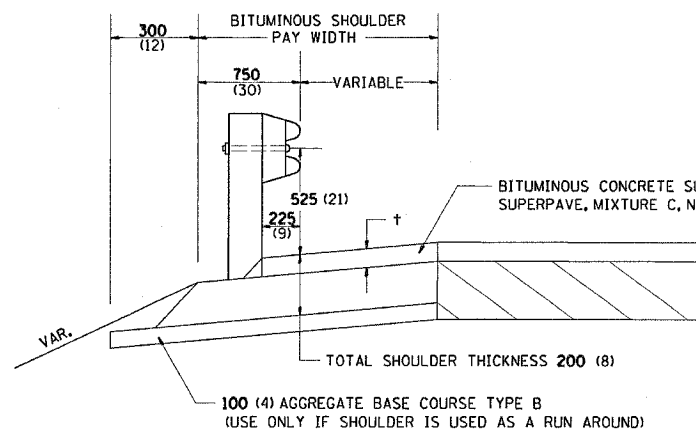
CLASS "SI" CONCRETE SHALL BE USED THROUGHOUT. THE GUTTER SHALL BE TIED TO ITS FLUME AS SHOWN. THE GUTTER SHALL BE REINFORCED WITH WIRE MESH HAVING A WEIGHT OF AT LEAST 2.83kg/m² (58 LBS/100 SQ. FT.) 150x150 (6x 6). FLUME SHALL ALSO HAVE TWO (2) CUTOFF WALLS AS SHOWN. COST OF FLUME PORTION INCLUDING ALL MATERIALS AND LABOR SHALL BE PAID FOR AT THE CONTRACT UNIT PRICE PER m³ (CU. YD) FOR CLASS "SI" CONCRETE.

ALL DIMENSIONS ARE IN MILLIMETERS (INCHES) UNLESS OTHERWISE NOTED.

REVISED 5-4-94

16.4

DETAIL OF BITUMINOUS SHOULDER AT GUARD RAIL



+ = SEE TYPICAL SECTIONS FOR THICKNESS

GENERAL NOTES

THE TOP LIFT SHALL NOT BE PLACED BEHIND THE GUARDRAIL POSTS. WHEN PLACING THE TOP LIFT THE RAIL MUST BE REMOVED FROM THE POSTS. THE POST SHALL NOT BE REMOVED.

THE HEIGHT OF THE GUARD RAIL SHALL BE SET 525 (21) FROM THE FINISHED SURFACE.

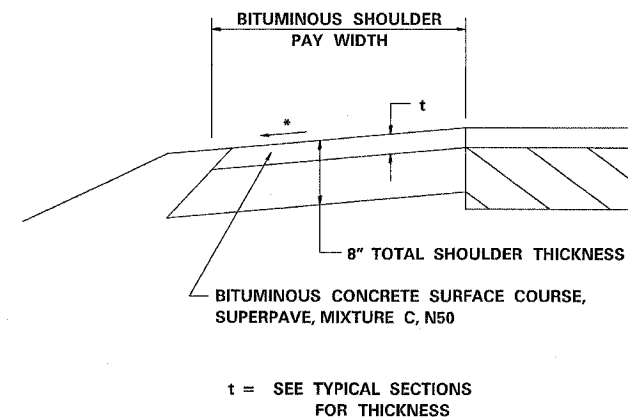
THE BITUMINOUS SHOULDER SHALL BE CONSTRUCTED IN ACCORDANCE WITH SECTION 482 EXCEPT THE TOP LIFT SHALL BE BITUMINOUS CONCRETE SURFACE COURSE, SUPERPAVE, MIXTURE C, N50. THE WORK WILL BE PAID FOR AT THE CONTRACT UNIT PRICE PER TON FOR BITUMINOUS CONCRETE SURFACE COURSE, SUPERPAVE, MIXTURE C, N50, AND SQUARE METER (SQUARE YARD) FOR BITUMINOUS SHOULDERS SUPERPAVE OF THE THICKNESS SPECIFIED. THE REMOVAL & REINSTALLATION OF THE GUARDRAIL WILL BE INCLUDED IN THE COST OF THE BITUMINOUS CONCRETE SURFACE COURSE, SUPERPAVE, MIXTURE C, N50.

ALL DIMENSIONS ARE IN MILLIMETERS (INCHES) UNLESS OTHERWISE NOTED.

DATE 1-17-02

23.4

BITUMINOUS SHOULDER



ALL DIMENSIONS ARE IN INCHES (MILLIMETERS) UNLESS OTHERWISE NOTED.

GENERAL NOTES

THE BITUMINOUS SHOULDER SHALL BE CONSTRUCTED IN ACCORDANCE WITH SECTION 482 EXCEPT THE TOP LIFT SHALL BE BITUMINOUS CONCRETE SURFACE COURSE, SUPERPAVE, MIXTURE C, N50. THE WORK WILL BE PAID FOR AT THE CONTRACT UNIT PRICE PER TON FOR BITUMINOUS CONCRETE SURFACE COURSE, SUPERPAVE, MIXTURE C, N50, AND SQUARE YARD FOR BITUMINOUS SHOULDERS SUPERPAVE OF THE THICKNESS SPECIFIED.

USE BITUMINOUS CONCRETE SURFACE COURSE, SUPERPAVE, MIXTURE C, N50, WHEN RESURFACING EXISTING BITUMINOUS SHOULDERS. THE THICKNESS IS SHOWN ON THE TYPICAL SECTIONS. THIS WORK WILL BE PAID FOR AT THE CONTRACT UNIT PRICE PER TON FOR BITUMINOUS CONCRETE SURFACE COURSE, SUPERPAVE, MIXTURE C, N50.

REMOVAL OF MATERIAL FOR PLACEMENT OF THE BITUMINOUS SHOULDER TO BE PAID FOR IN UNITS FOR EXCAVATING AND GRADING EXISTING SHOULDERS OR IN CUBIC YARDS FOR EARTH EXCAVATION OR EARTH EXCAVATION WIDENING.

* 4% WHEN MAINLINE IS ON TANGENT. FOR CROSS SLOPE ON SUPERELEVATION SECTION, SEE HIGHWAY STANDARD 482001 OR 482006.

REV. 5-30-03

23.4a