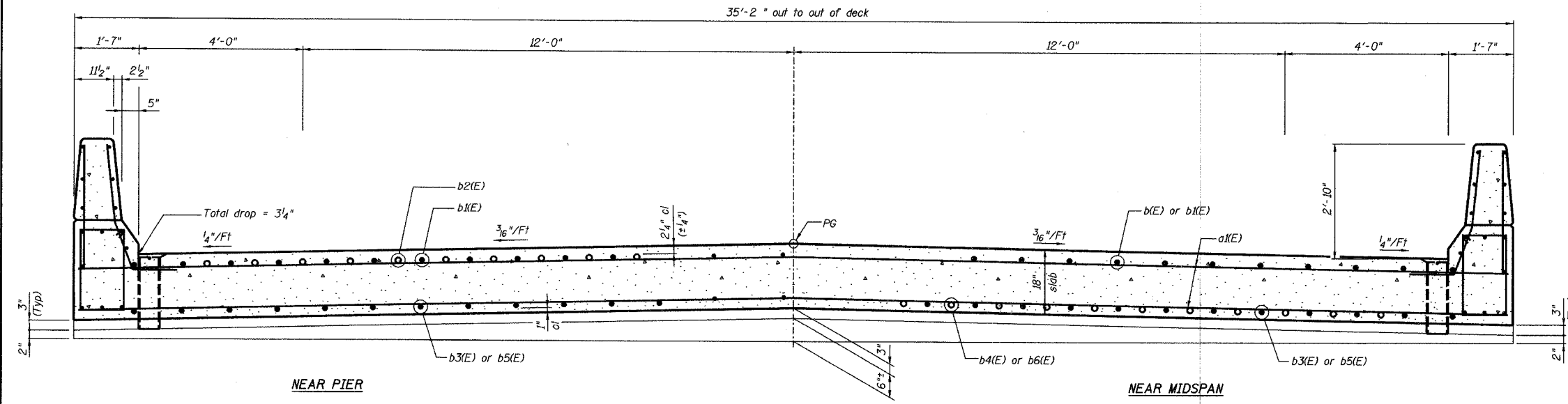


STATE OF ILLINOIS  
DEPARTMENT OF TRANSPORTATION

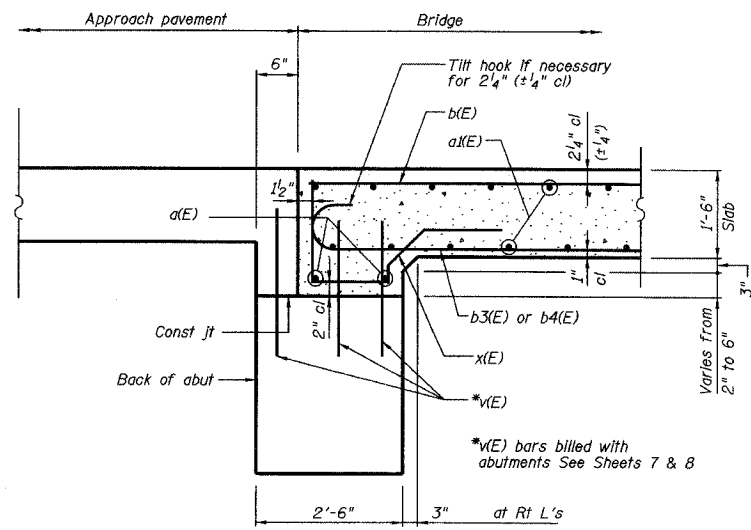
Sheet No. 5  
of 11 Sheets

ROUTE NO.	SECTION	COUNTY	TOTAL SHEETS	SHEET NO.
FAS 1197	105BR-2	WHITESIDE	59	20
FEDROAD DIST. NO.	ILLINOIS	PROJECT		

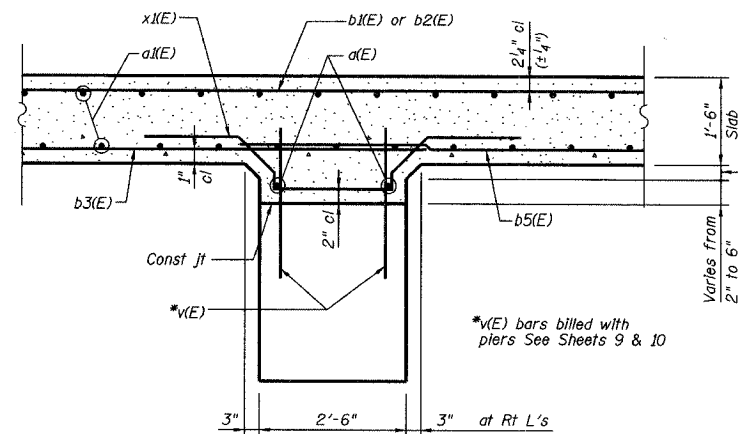
CONTRACT 64421



CROSS SECTION THRU DECK  
(Looking East)



SECTION A-A



SECTION B-B

**NOTES:**

See Sheet No. 6 of 11 for Superstructure Details, parapet reinforcing and Bill of Material.

Reinforcement bars designated (E) shall be epoxy coated.

Bars indicated thus 6x3-#5 etc indicates 6 lines of bars with 3 lengths per line.

See Sheet No. 1 of 11 for floor drain spacing.

Space reinforcement bars to miss floor drains.

REVISIONS		SUPERSTRUCTURE DETAILS		DRAWN BY	DATE
No.	DATE	INITIALS	<b>MOLINE ROAD OVER UNNAMED TRIBUTARY TO ROCK RIVER</b>  FAS ROUTE 1197 SECTION 105BR-2 SN 098-0110 STA 229+67.50 WHITESIDE COUNTY HOMER L. CHASTAIN & ASSOCIATES, LLP CONSULTING ENGINEERS 184-001397	R King	8/04
1				CHECKED BY	DATE
2				CMV	8/04
3				QA/QC	BY DATE
4				CWC	8/04
5				BOOK NUMBER	
6				PROJECT No.	4858-3
7				SHEET No.	
8					
9					
10					
11					
12					