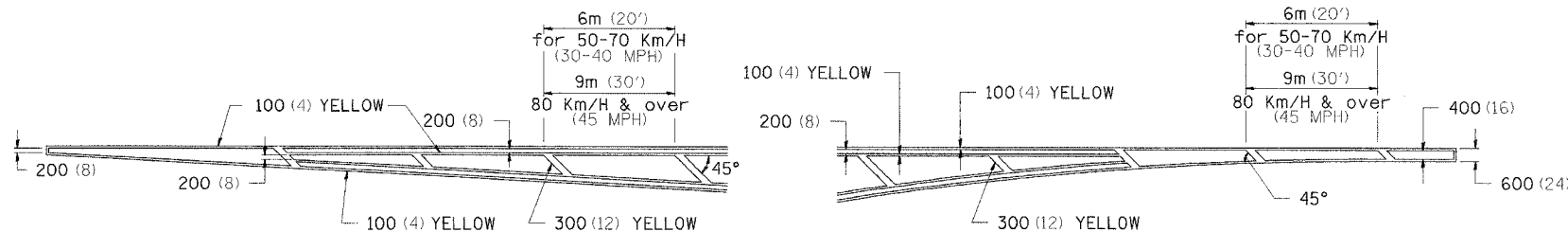


6442

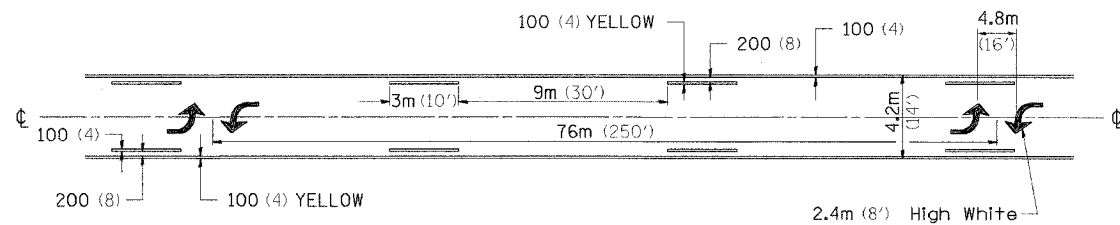
FILE NO.	SECTION	COUNTY	TOTAL SHEETS	SHEET NO.
1197	105 BR-2 & 105-T	WHITESIDE	58	39
STA. 224+00 & 429+00		TO STA. 232+00 & 425+38		
FED. ROAD DIST. NO.		SUMMIT		FED. AID PROJECT

# TYPICAL PAVEMENT MARKINGS

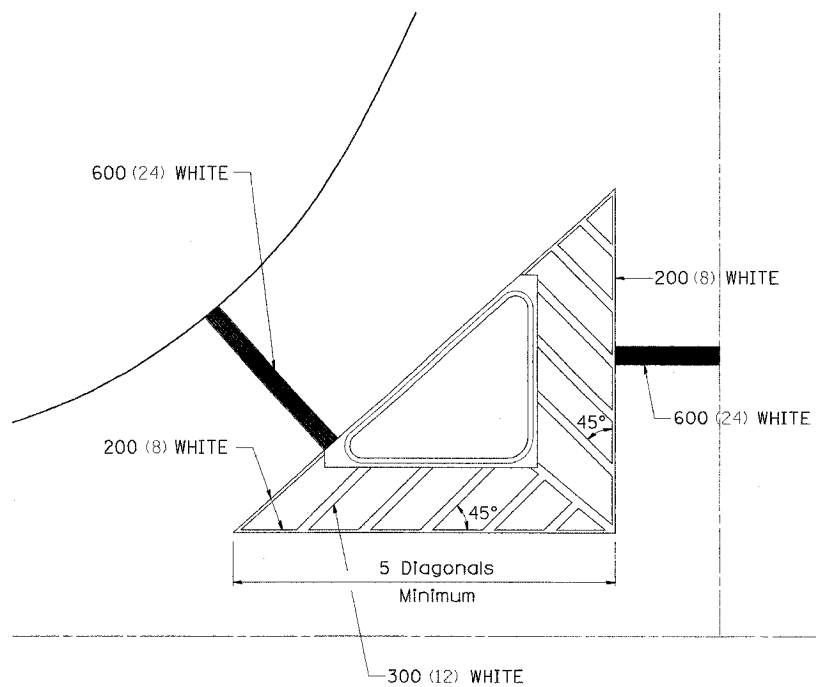
### TYPICAL PAVEMENT MARKING FOR FLUSH MEDIAN



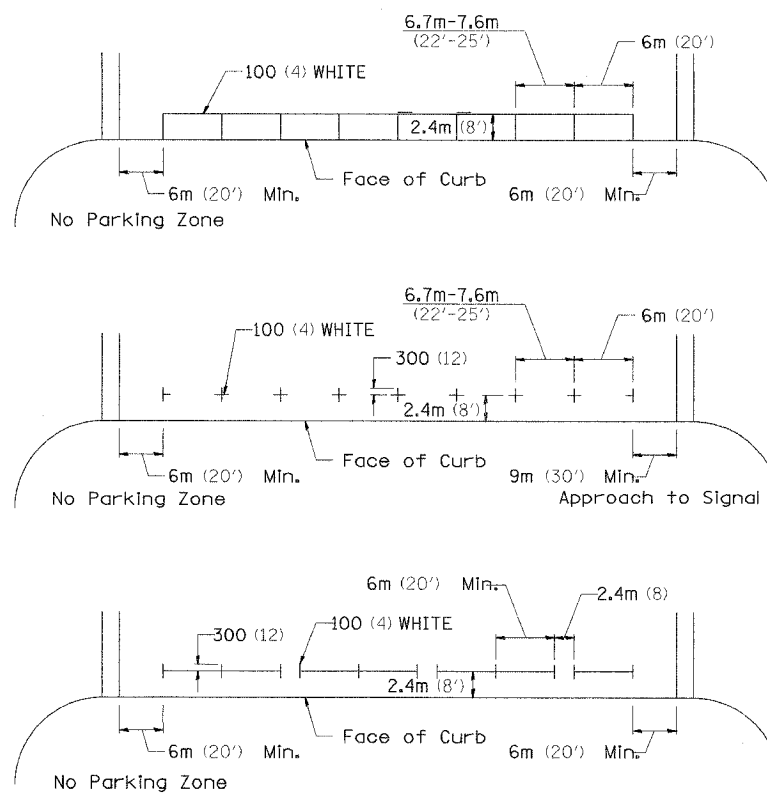
### MEDIAN PAVEMENT MARKING



### TYPICAL ISLAND OFFSET SHOULDER WIDTH



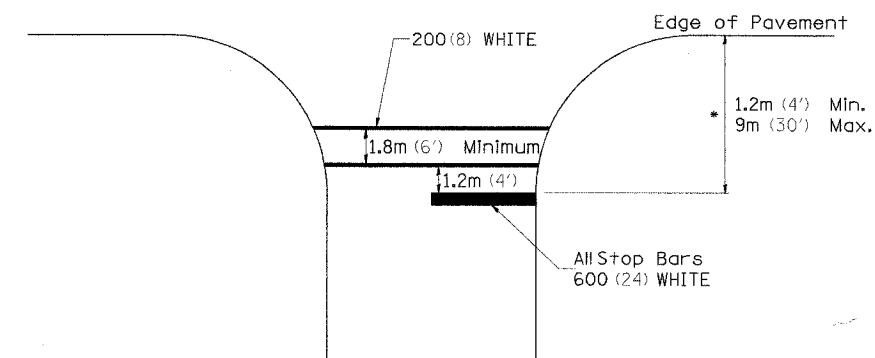
### TYPICAL PARKING SPACING



\*\* ALL DIMENSIONS ARE IN MILLIMETERS (INCHES) UNLESS OTHERWISE NOTED.

### STANDARD CROSSWALK MARKING

See Schedules for Locations



\* Distance to the nearest edge of the intersecting roadway in the absence of a marked crosswalk.

CHECKED BY:

DRAWN BY:

DESIGNED BY:

Thu Feb 12 11:04:42 2004  
c:\p\projects\105br2\mkg\41p1r1dgn