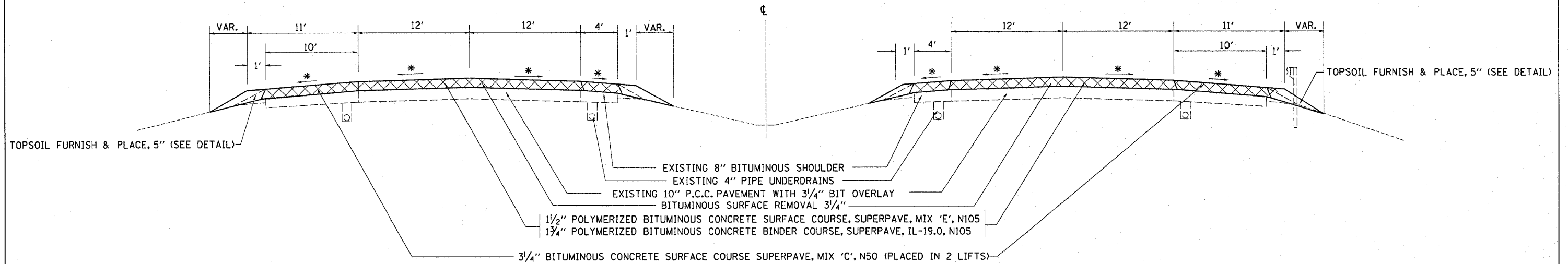


F.A. RTE.	SECTION	COUNTY	TOTAL SHEETS	SHEET NO.
*	**	WINNEBAGO	317	5
STA. TO STA.				
FED. ROAD DIST. NO.	ILLINOIS	FED. AID PROJECT		

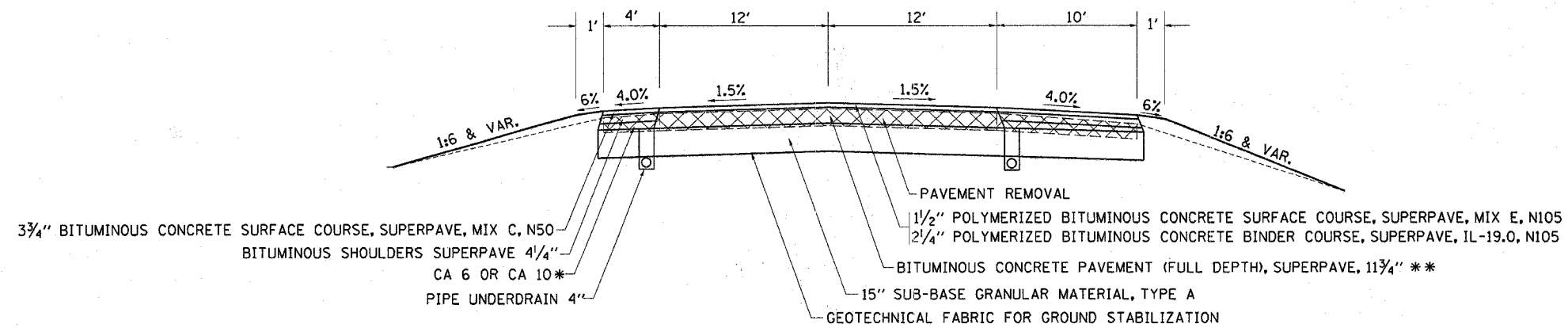
# TYPICAL SECTIONS

DETAIL FOR RESURFACING UNDER OVERHEAD STRUCTURES \*\*



\* MATCH EXISTING SLOPES (1.25% MIN.)  
 \*\* SEE SCHEDULE OF QUANTITIES FOR LOCATIONS

US 20 (EB)  
 STA. 2661+49.93 - 2670+04.34  
 PAVEMENT REPLACEMENT



\* COST TO BE INCLUDED IN SUB-BASE GRANULAR MATERIAL, TYPE A  
 \*\* 11 3/4 inch polymerized bituminous concrete binder course, Superpave, IL 19.0, N105

FILE NAME = WELLS  
 PLOT SCALE = 1/4" = 10'-0"  
 PLOT SCALE = 1/4" = 10'-0"  
 PLOT SCALE = 1/4" = 10'-0"  
 PLOT SCALE = 1/4" = 10'-0"  
 PLOT SCALE = 1/4" = 10'-0"  
 PLOT SCALE = 1/4" = 10'-0"