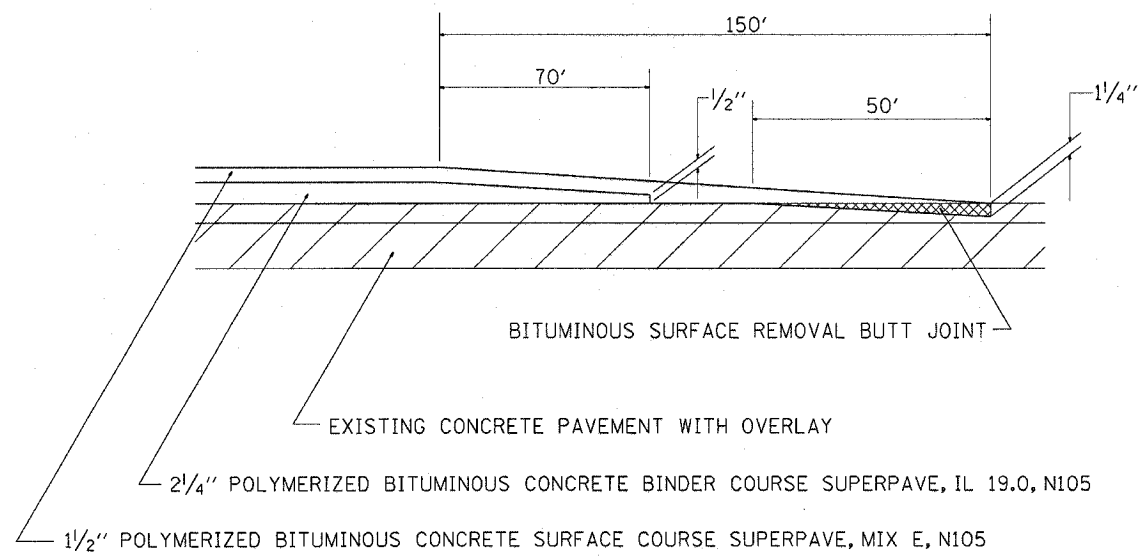


F.A. RTE.	SECTION	COUNTY	TOTAL SHEETS	SHEET NO.
*	**	WINNEBAGO	317	11
STA.		TO STA.		
FED. ROAD DIST. NO.		ILLINOIS FED. AID PROJECT		

TYPICAL SECTIONS

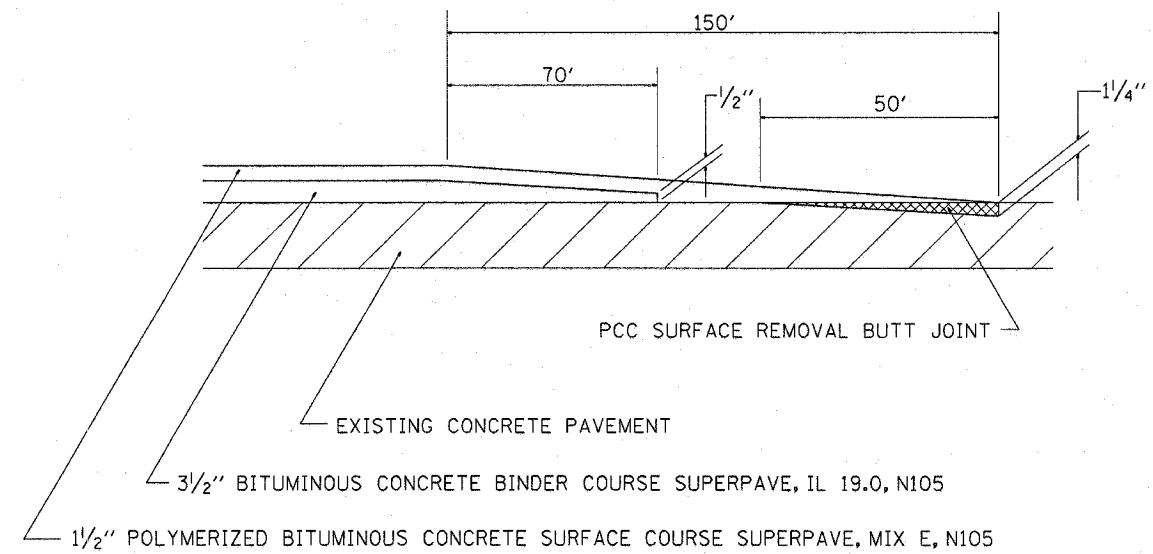
TYPICAL TAPER

MAINLINE-EXISTING BITUMINOUS SURFACED PAVEMENT



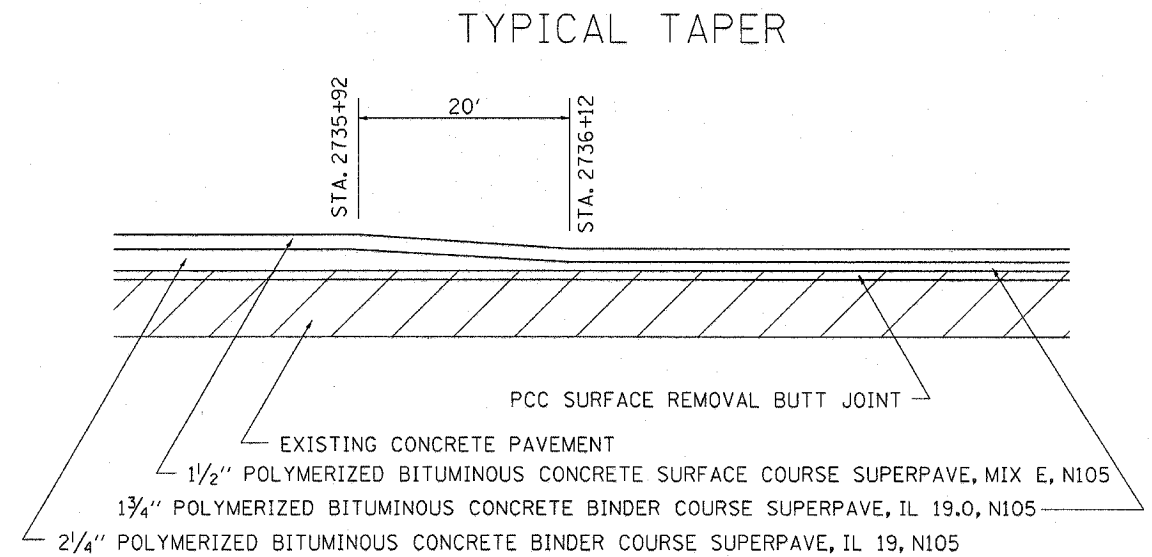
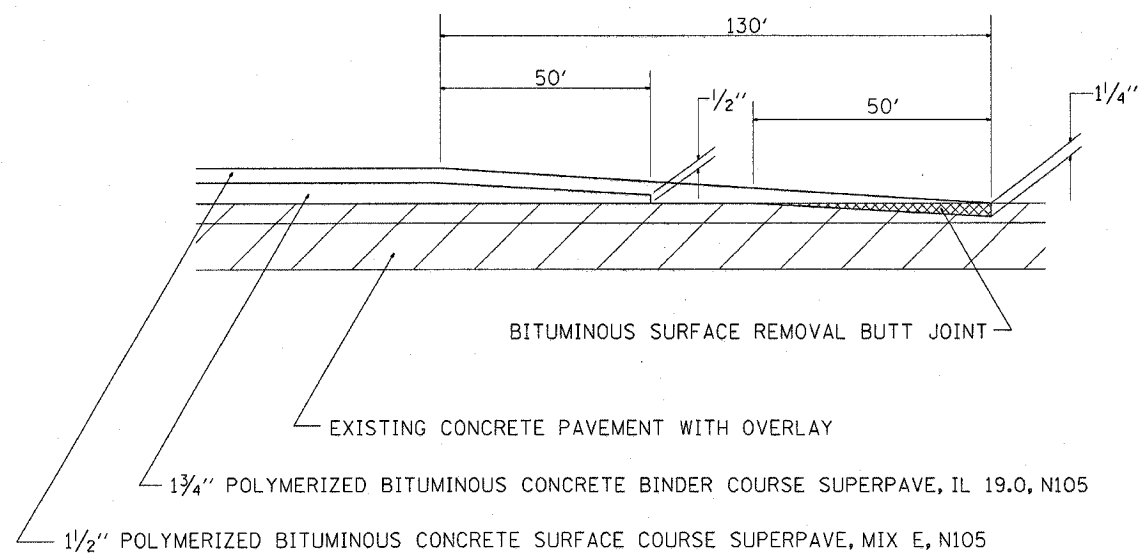
TYPICAL TAPER

MAINLINE-EXISTING CONCRETE PAVEMENT



TYPICAL TAPER

MAINLINE-EXISTING BITUMINOUS SURFACED PAVEMENT



PLOT DATE = Thu Dec 23 08:51:18 2004
 FILE NAME = c:\nrc\projects\212568\dl22666.dwg
 PLOT SCALE = 50.00000 / IN.
 REFERENCE = #REF#