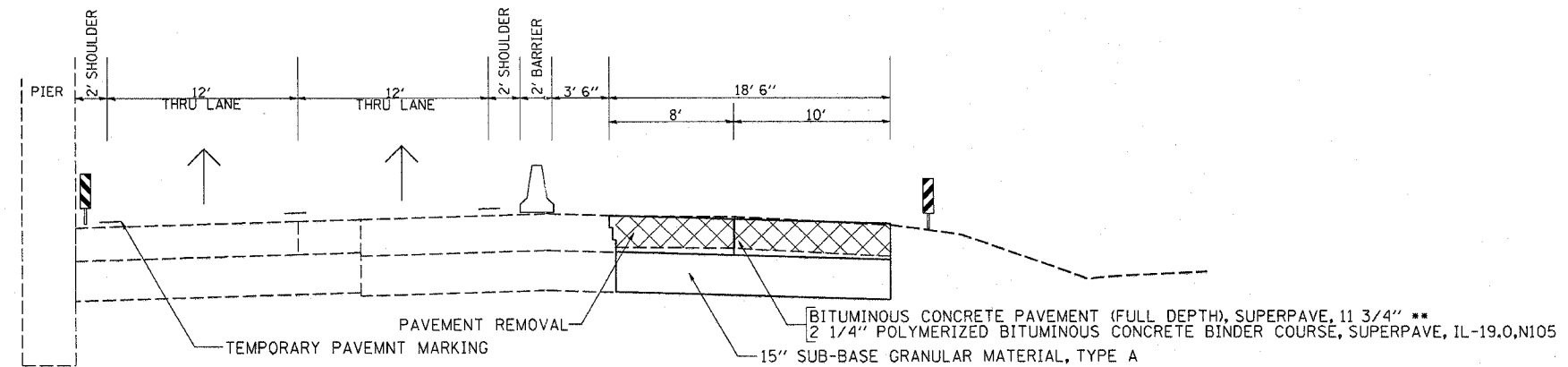


F.A. RTE.	SECTION	COUNTY	TOTAL SHEETS	SHEET NO.
*	**	WINNEBAGO	317	71
STA. TO STA.				
FED. ROAD DIST. NO. ILLINOIS FED. AID PROJECT				

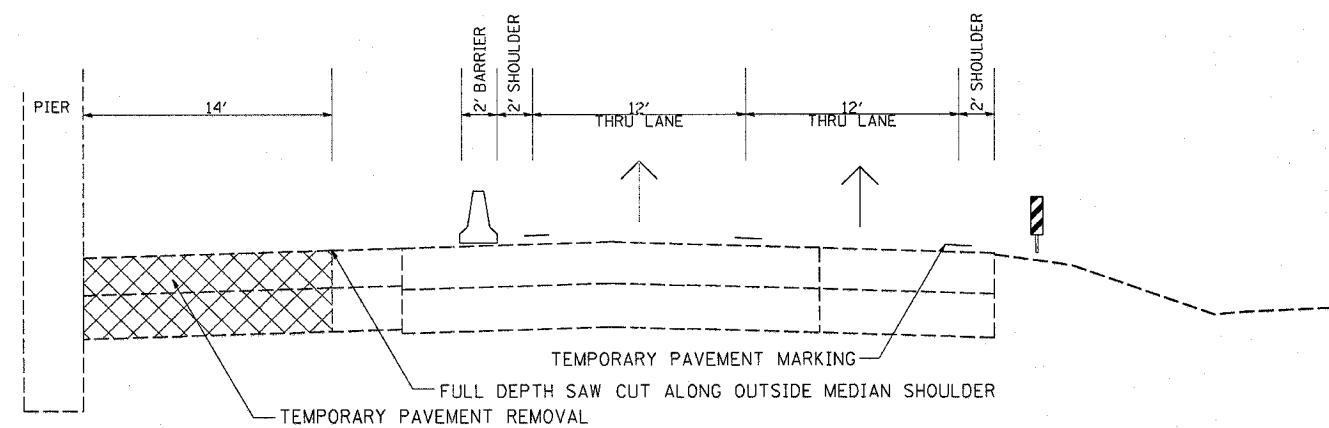
STAGE 3 WORK:

IN STAGE 3 TRAFFIC SHALL BE SHIFTED LEFT TO UTILIZE TEMPORARY WIDENING AND NEW PAVEMENT CONSTRUCTED IN STAGE 2. STAGE 3 SHALL CONSIST OF REMOVING THAT LAST 8' OF PAVEMENT ALONG WITH THE 10' SHOULDER, REPLACING PAVEMENT AND 10' SHOULDER. THE SHOULDER SHALL BE BUILT TO THE SAME THICKNESS AS THE NEW PAVEMENT



STAGE 4:

STAGE 4 SHALL BE STAGED THE SAME AS STAGE 1 WITH TRAFFIC BEING SHIFTED TO THE RIGHT. STAGE 4 SHALL CONSIST OF SAW CUTTING FULL DEPTH ALONG THE OUTSIDE 4' MEDIAN SHOULDER AND REMOVING THE 14' TEMPORARY WIDENING



** 11 3/4" POLYMERIZED BITUMINOUS CONCRETE BINDER COURSE, SUPERPAVE, IL-19.0, N105

REVISIONS		ILLINOIS DEPARTMENT OF TRANSPORTATION
NAME	DATE	
		SCALE: VERT. HORIZ. DATE DRAWN BY CHECKED BY