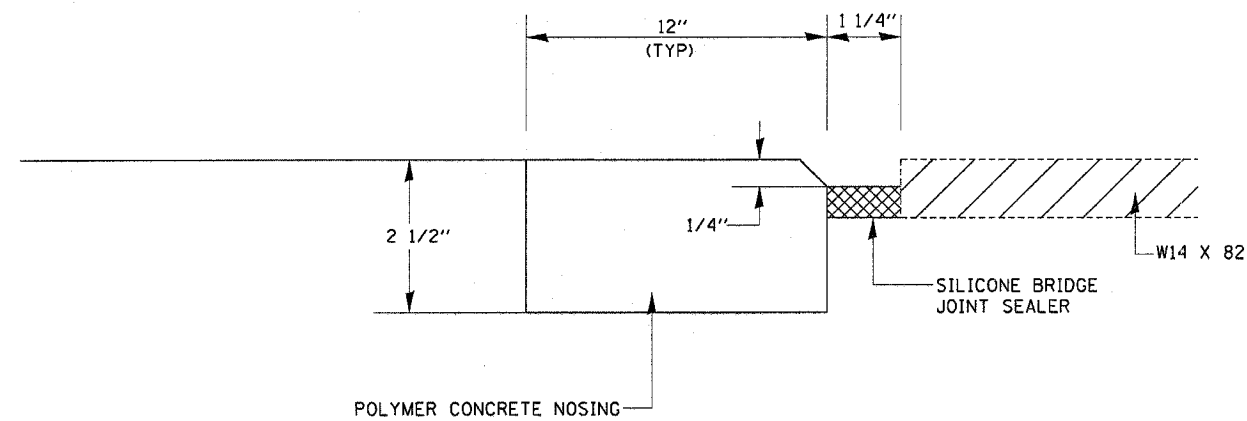
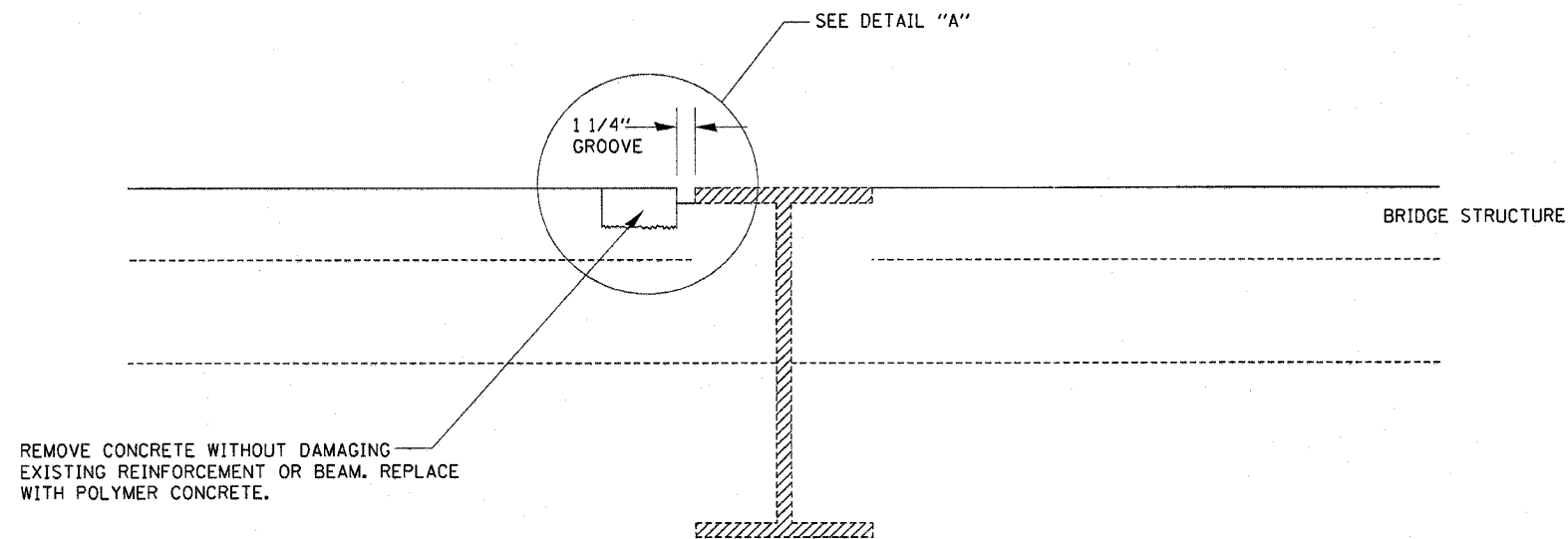


F.A. RTE.	SECTION	COUNTY	TOTAL SHEETS	SHEET NO.
*	**	WINNEBAGO	317	94
STA.		TO STA.		
FED. ROAD DIST. NO.		ILLINOIS FED. AID PROJECT		

POLYMER CONCRETE DETAIL



DETAIL "A"

NOT TO SCALE

THIS WORK SHALL BE DONE IN ACCORDANCE WITH SECTIONS 420, 421, & 440 OF THE STANDARD SPECIFICATIONS.

THE POLYMER CONCRETE WORK SHALL CONFORM TO CHECK SHEET #23 OF THE RECURRING SPECIAL PROVISIONS.

THE CONCRETE REMOVAL WORK SHALL REQUIRE TWO (2) SAW CUTS OF THE REQUIRED DEPTH. THE METHOD OF CONCRETE REMOVAL SHALL BE APPROVED BY THE ENGINEER. CONCRETE REMOVAL AND SAW CUTS WILL NOT BE PAID FOR SEPARATELY.

THIS WORK SHALL BE PAID FOR PER CU FT OF POLYMER CONCRETE.

PLOT DATE : Thu Dec 23 11:06:48 2004
 FILE NAME : C:\projects\6212580\ref\6212580.dgn
 PLOT SCALE : 1/8\" / IN.
 REFERENCE : #REF#