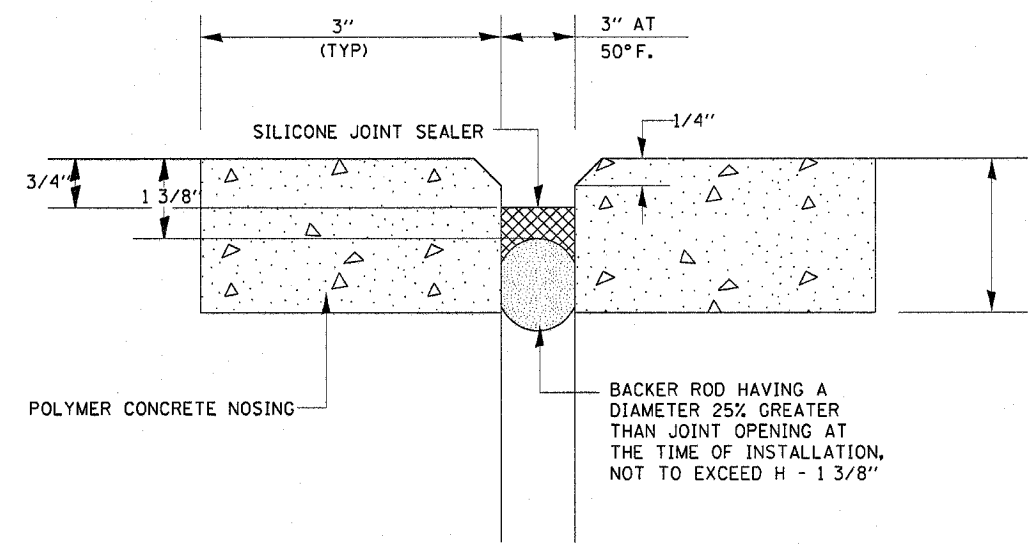
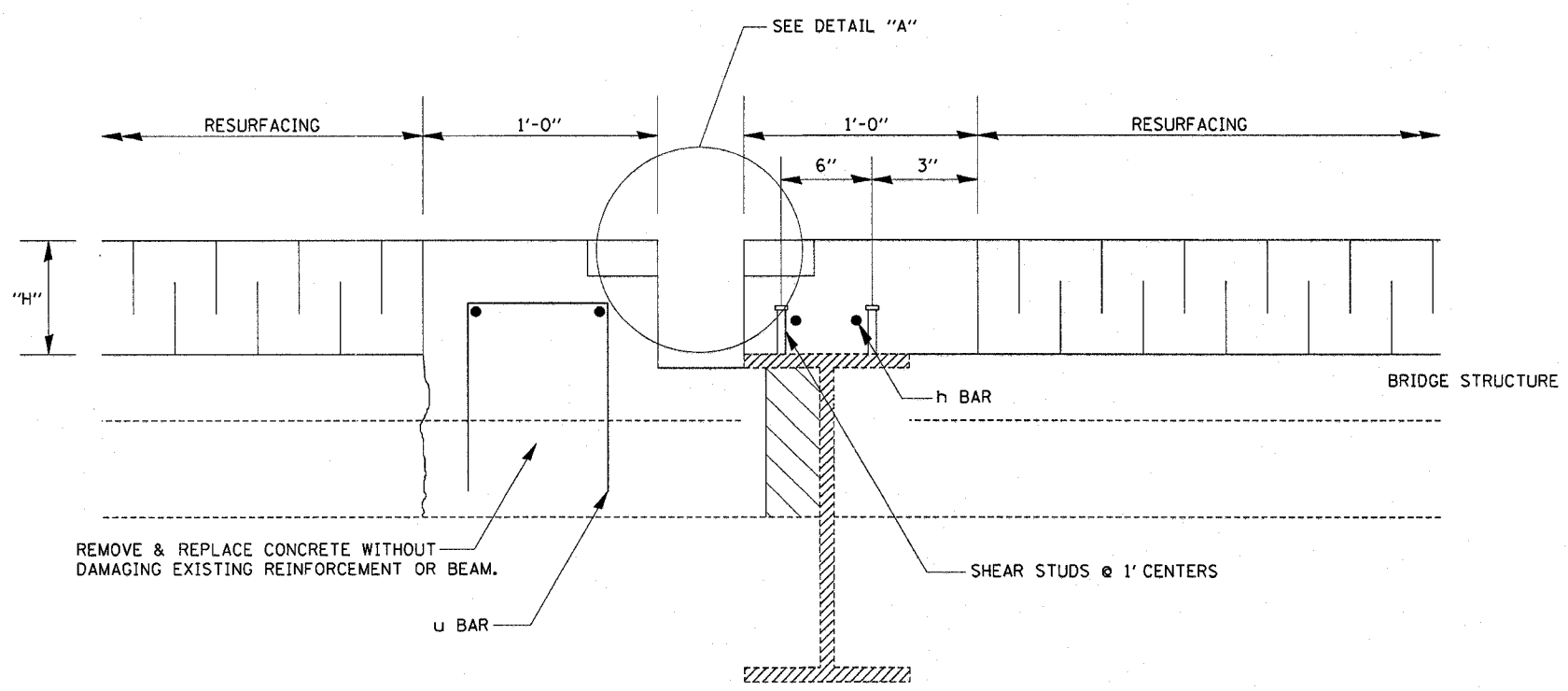
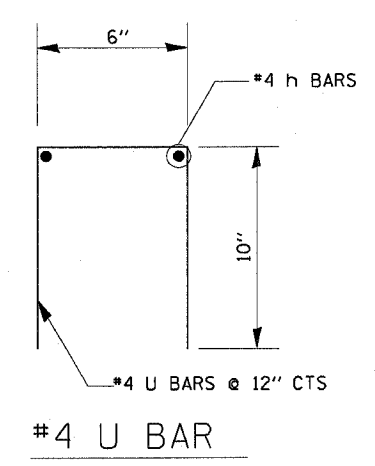


F.A. RTE.	SECTION	COUNTY	TOTAL SHEETS	SHEET NO.
**	**	WINNEBAGO	317	95
STA.		TO STA.		
FED. ROAD DIST. NO.	ILLINOIS	FED. AID PROJECT		

WIDE FLANGE BEAM TERMINAL JOINT REPAIR (SPECIAL)



1 1/2" WHEN H ≥ 4"
 WHEN H < 4" POLYMER CONCRETE SHALL BE FULL DEPTH H AND FULL 1'-0" IN WIDTH FOR ENTIRE LENGTH OF BEAM, SHEAR STUDS TO BE OMITTED

THIS WORK SHALL BE DONE IN ACCORDANCE WITH STANDARD 421103 AND SECTIONS 421 & 508 OF THE STANDARD SPECIFICATIONS.

THE POLYMER CONCRETE WORK SHALL CONFORM TO CHECK SHEET #23 OF THE RECURRING SPECIAL PROVISIONS EXCEPT IT WILL NOT BE PAID FOR SEPARATELY.

THIS WORK SHALL BE PAID FOR EACH OF WIDE FLANGE BEAM TERMINAL JOINT REPAIR.(SPECIAL)

TABLE OF "H" DIMENSIONS

	NORTHBOUND	SOUTHBOUND
KISHWAUKEE RIVER	4 3/8"	4 3/8"

DETAIL "A"

NOT TO SCALE

PLOT DATE : Thu Dec 23 11:08:48 2004
 FILE NAME : C:\pvc\objects\212500\212500.rvt
 PLOT SCALE : 1/8" = 1'-0"
 REFERENCE : 4864