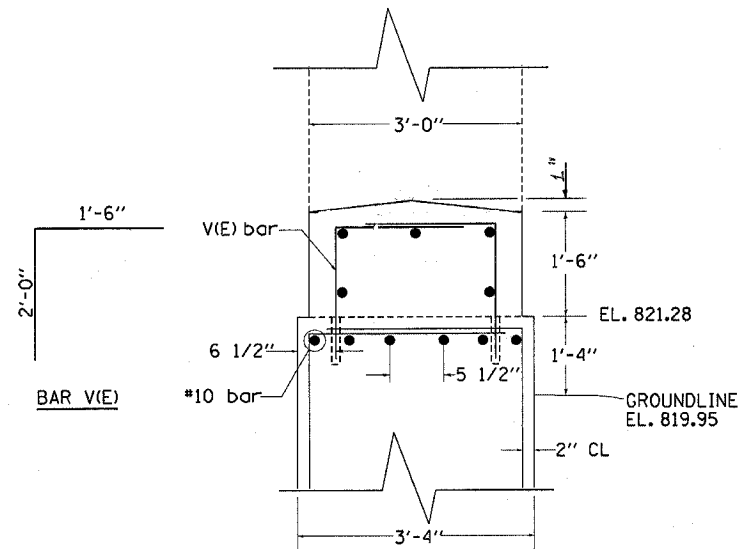
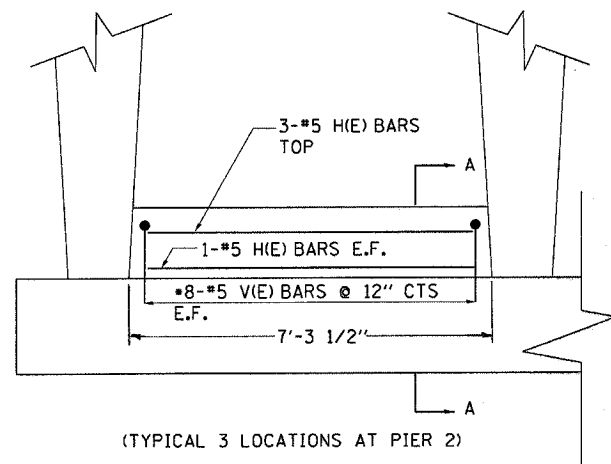


CRASH WALL RETROFIT DETAILS

SN 101-0136



SEC A-A



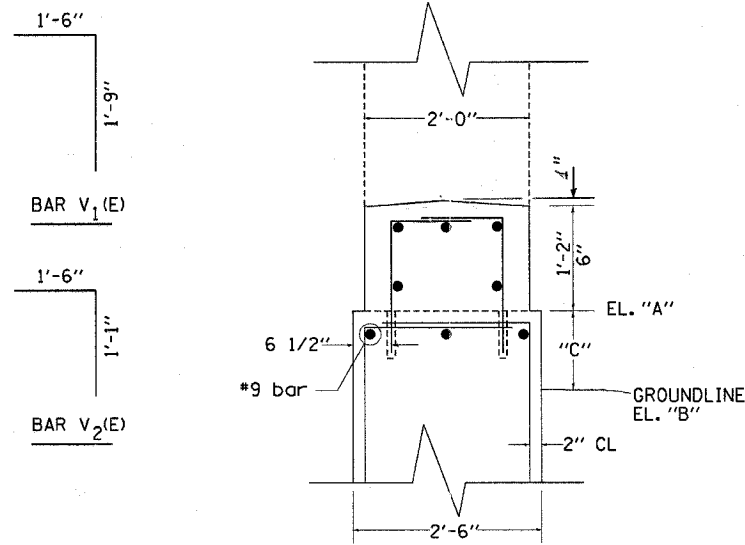
ELEVATION VIEW PIER 2

•EPOXY GROUT #5 V(E) BARS IN 7/8" X 9" DEEP HOLE AS PER ARTICLE 584 OF THE STANDARD SPECIFICATIONS

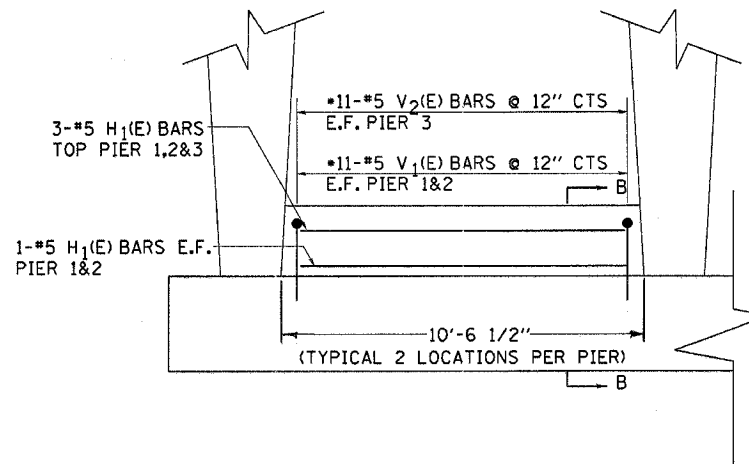
SN 101-0098

LOCATION	E/A	E/B	C	HEIGHT
PIER 1	787.55	785.95	1.60'	1'-2"
PIER 2	786.68	785.01	1.67'	1'-2"
PIER 3	787.75	785.39	2.36'	6"

• MINIMUM CRASHWALL HEIGHT = 32" = 2.67'



SEC B-B

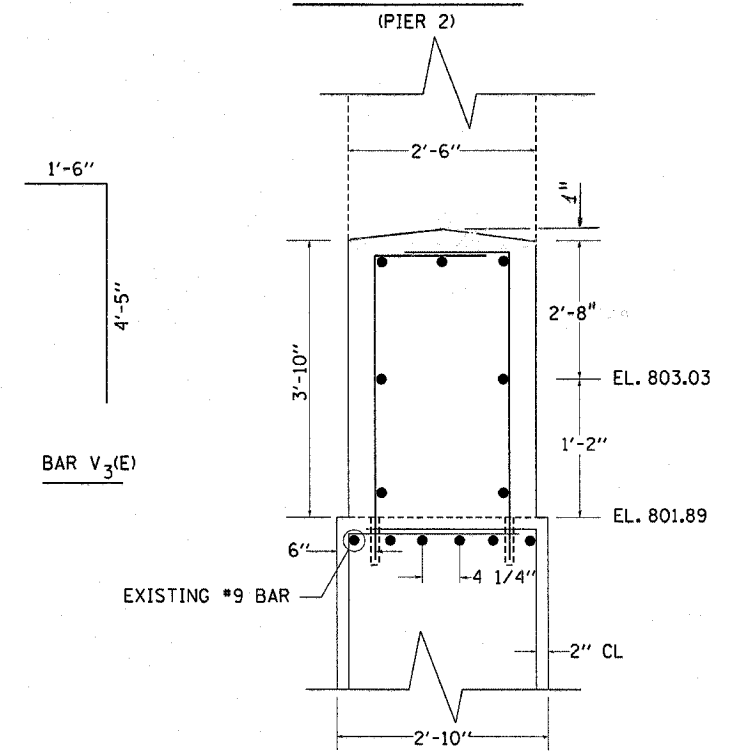


ELEVATION VIEW

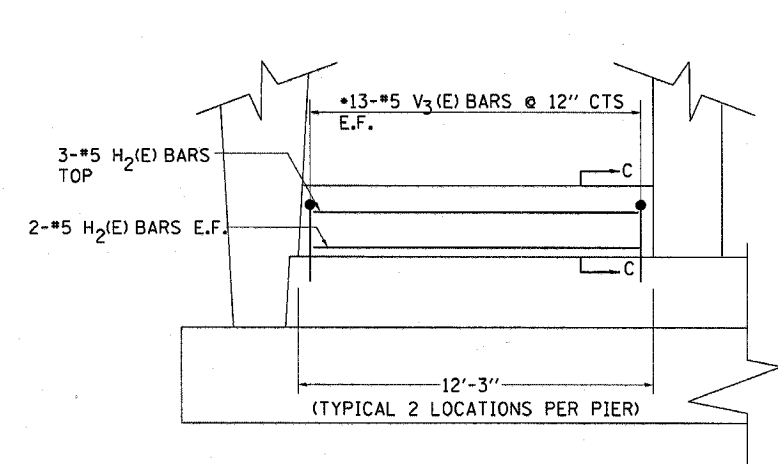
(PIER 1,2&3)

•EPOXY GROUT V₁(E) & V₂(E) BARS IN 7/8" X 9" DEEP HOLE AS PER ARTICLE 584 OF THE STANDARD SPECIFICATIONS

SN 101-0131



SEC C-C



ELEVATION VIEW

•EPOXY GROUT #5 V₃(E) BARS IN 7/8" X 9" DEEP HOLE AS PER ARTICLE 584 OF THE STANDARD SPECIFICATIONS