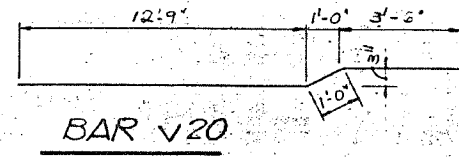
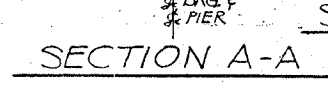
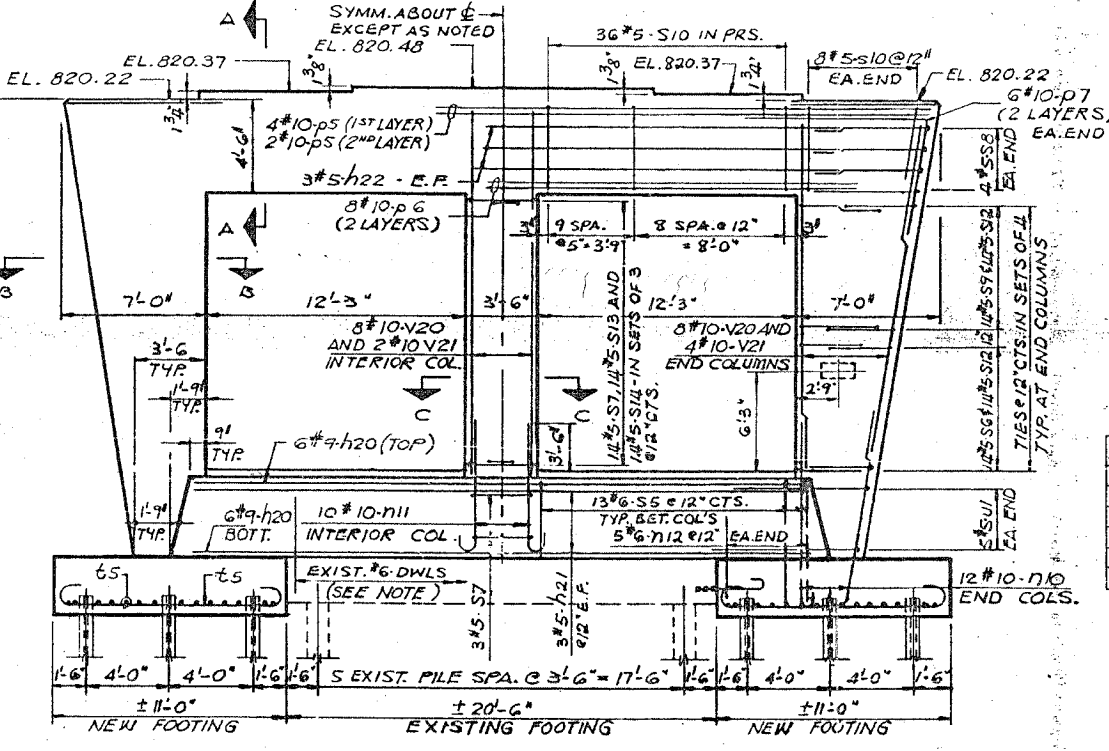
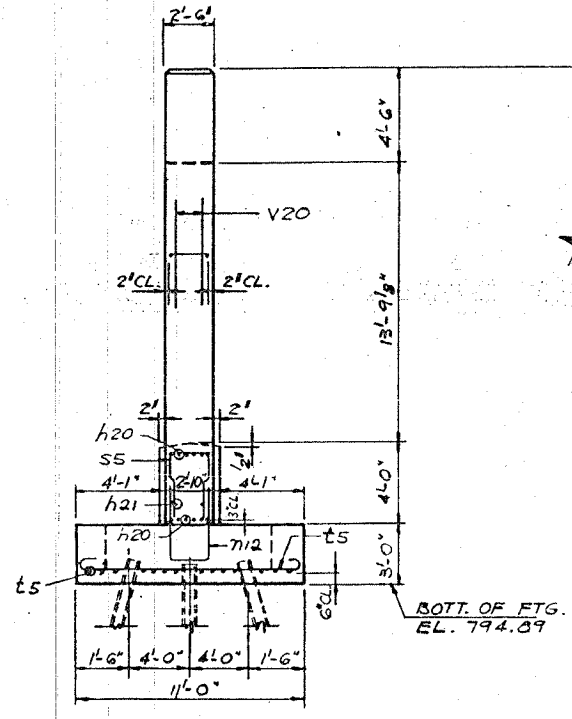
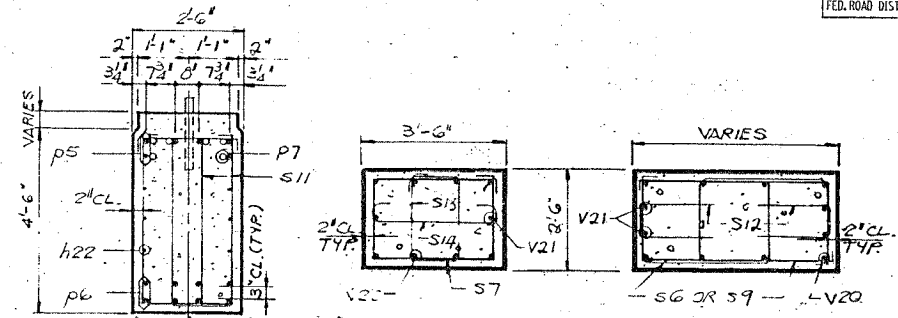
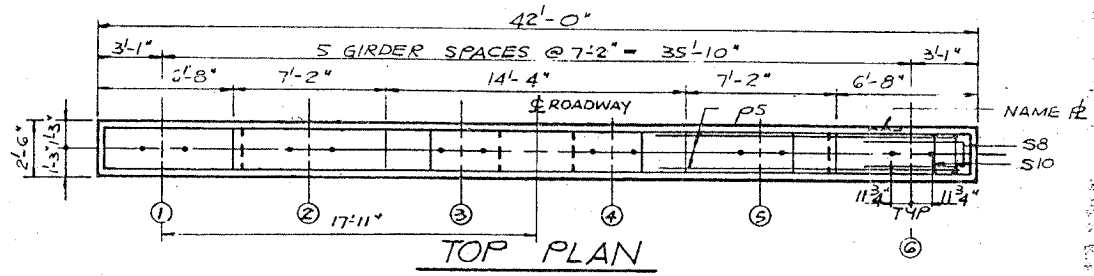
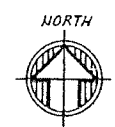
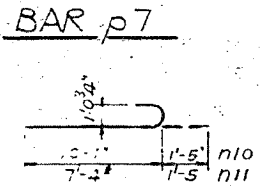
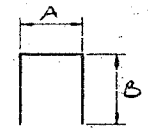


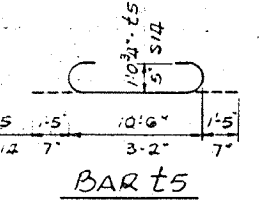
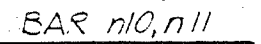
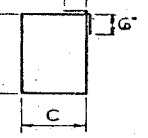
F.A. RTE.	SECTION	COUNTY	TOTAL SHEETS	SHEET NO.
-*	-*	WINNEBAGO	317	192
STA. _____		TO STA. _____		
FED. ROAD DIST. NO. _____		ILLINOIS FED. AID PROJECT		



BAR	A	B
n12	2'-6"	4'-3"
s5	2'-6"	3'-10"
s8	2'-0"	6'-6"
s10	2'-2"	4'-2"
s12	1'-1"	1'-8"
u1	2'-2"	5'-0"



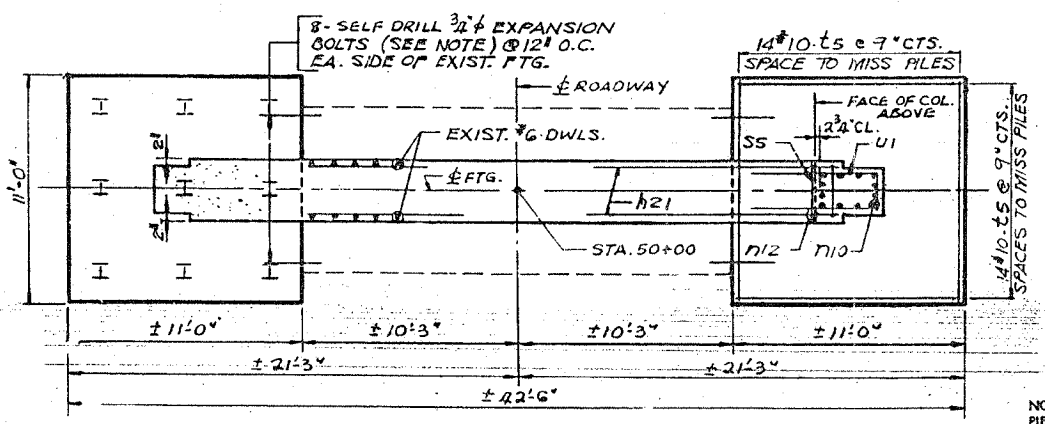
BAR	C	D
s6	2'-2"	3'-10"
s7	2'-2"	3'-2"
s9	2'-2"	5'-1"
s11	1'-7"	4'-2"
s13	2'-2"	1'-3"



BILL OF MATERIAL

BAR NO.	SIZE	LENGTH	SHAPE
h20	#9	29'-0"	U
h21	#5	29'-0"	U
h22	#5	34'-0"	U
n10	#10	11'-6"	U
n11	#10	8'-9"	U
n12	#6	11'-0"	U
p5	#10	41'-6"	U
p6	#8	34'-0"	U
p7	#10	17'-0"	U
s5	#6	10'-2"	U
s6	#5	13'-0"	U
s7	#5	11'-8"	U
s8	#5	15'-2"	U
s9	#5	15'-6"	U
s10	#5	10'-6"	U
s11	#5	12'-6"	U
s12	#5	4'-3"	U
s13	#5	7'-10"	U
s14	#5	4'-4"	U
t5	#10	13'-4"	U
u1	#5	12'-6"	U
v20	#10	17'-3"	U
v21	#10	17'-3"	U
CLASS X CONCRETE		CU. YD.	77.3
REINFORCEMENT BARS		LBS.	15,380
STRUCTURE EXCAVATION		CU. YD.	145.0
STEEL PILES (HP 36x36)		LN. FT.	170.0
TEST PILE, STEEL		EA.	1
EXPANSION BOLTS, 3/4"		EA.	16

PIER PILE DATA
 TYPE: STEEL (HP 36x36)
 CAPACITY: 45 TON
 EST. LENGTH: 10 FT.
 NO. REQUIRED: 18#
 * INCLUDES ONE TEST PILE



FOOTING PLAN

**PIER AT MULFORD ROAD
 SN 101-0131**

NOTE:
 PIER SHAFT TO BE REMOVED TO THE TOP OF FOOTING. THE EXISTING DOWEL BARS SHALL BE CLEANED AND REUSED AS SHOWN. CARE SHALL BE TAKEN IN PLACING THE DRILLED IN ANCHORS TO AVOID INTERFERENCE WITH THE EXISTING FOOTING REINFORCEMENT. THE FOOTING CONCRETE SHALL BE REMOVED AS NECESSARY TO EXPOSE THE REINFORCEMENT BEFORE DRILLING IN THE INSERTS.

NOTE:
 ALL BAR DIMENSIONS ARE OUT TO OUT.

REVISIONS	DATE
NAME	DATE

ILLINOIS DEPARTMENT OF TRANSPORTATION
 SCALE: VERT. _____
 DATE: _____
 DRAWN BY: _____
 CHECKED BY: _____

FOR INFORMATION ONLY

PLOT DATE = Tue Dec 21 09:42:37 2004
 FILE NAME = c:\p\projects\2004\122500\p1.dgn
 PLOT SCALE = 500000 / IN.
 REFERENCE = SHEET