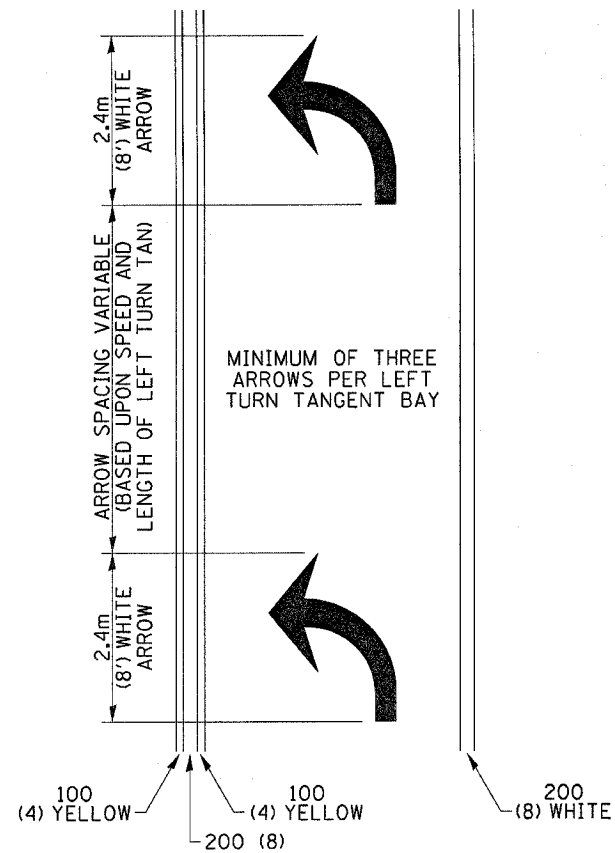


F.A. RTE.	SECTION	COUNTY	TOTAL SHEETS	SHEET NO.
**	**	WINNEBAGO	317	115
STA. TO STA.		FED. AID PROJECT		
FED. ROAD DIST. NO.		ILLINOIS		

TYPICAL PAVEMENT MARKINGS

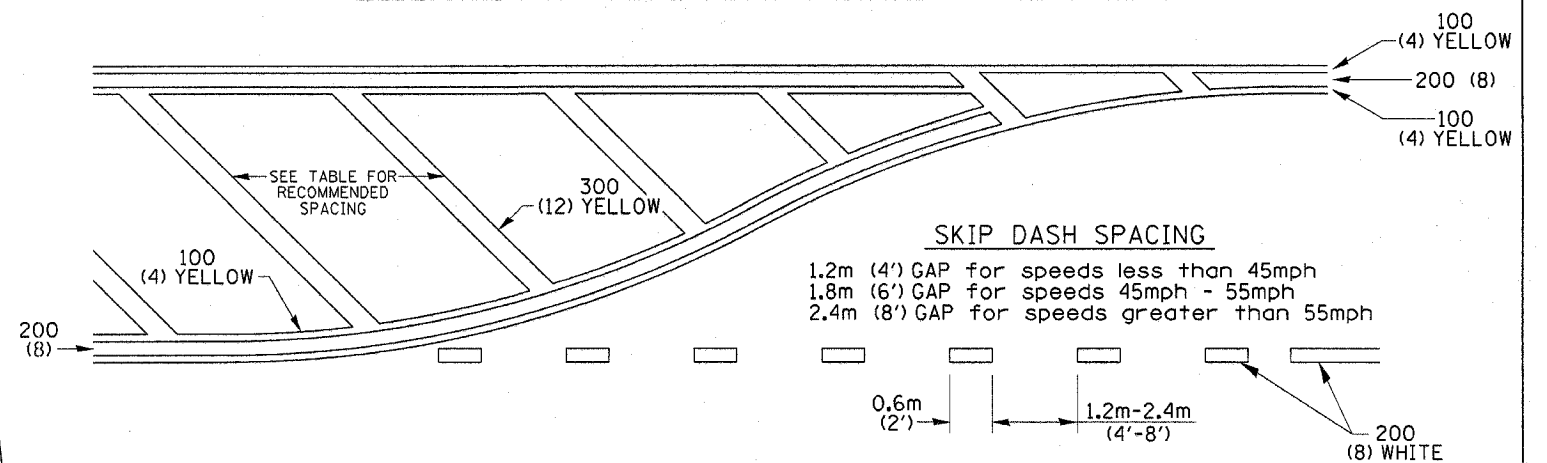
ARROW LAYOUT



- ▲ ONE-WAY AMBER MARKER
- △ ONE-WAY CRYSTAL MARKER
- ◆ TWO-WAY AMBER MARKER

ALL DIMENSIONS ARE IN MILLIMETER (INCHES) UNLESS OTHERWISE SHOWN.

TYPICAL PAVEMENT MARKING FOR FLUSH MEDIAN



RECOMMENDED SPACING BETWEEN DIAGONALS (IN FEET)

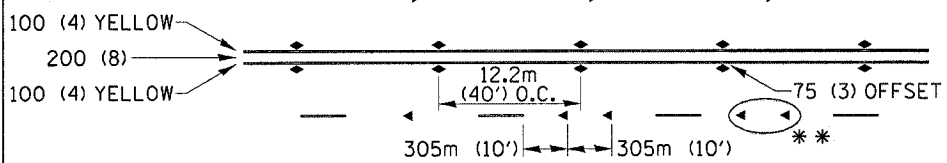
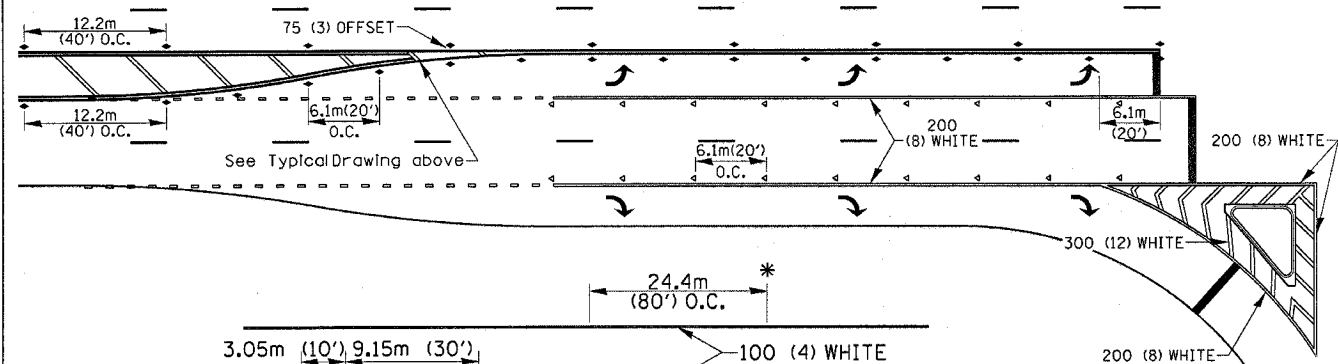
Speed Limit Range	Continuous Median Area	Intersection Channelization	Objects (Islands)
less than 50km/H(30MPH)	15.3m (50')	4.53m (15')	3.05m (10')
50-60km/H(30-40MPH)	22.9m (75')	6.1m (20')	4.53m (15')
70km/H(45MPH) & over	22.9m (75')	9.05m (30')	6.1m (20')

NOTE: if the spacing recommended in the Table does not permit at least five diagonal lines in the area being marked, the spacing from the next lowest speed range should be used. The recommended spacing is measured parallel to the pavement center line.

CHECKED BY:

DRAWN BY:

DESIGNED BY:



- REDUCE TO 12.2m (40') O.C. ON CURVES WHERE ADVISORY SPEEDS ARE 15km/H (10MPH) LOWER THAN POSTED SPEEDS.
- USE DOUBLE MARKERS WHEN ADT ≥ 25,000

MULTI-LANE / UNDIVIDED

SYMBOLS

See Typical Drawing above

12.2m (40') O.C. APPROACH SIDE ONLY

TYPICAL PAVEMENT MARKING FOR TWO LANE SECTION - NO PASSING ZONES

