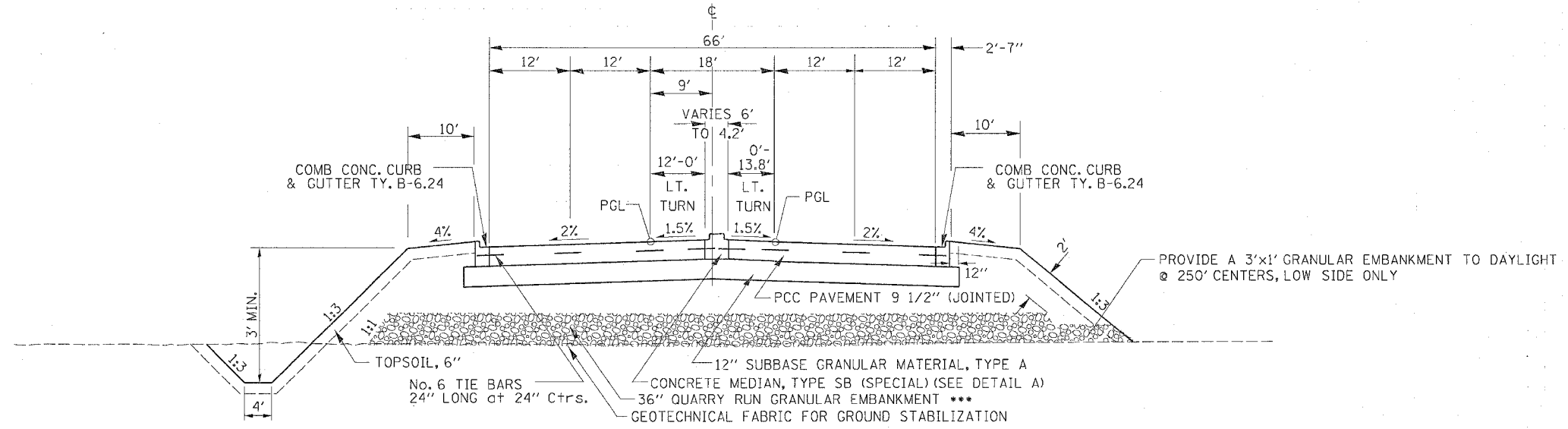
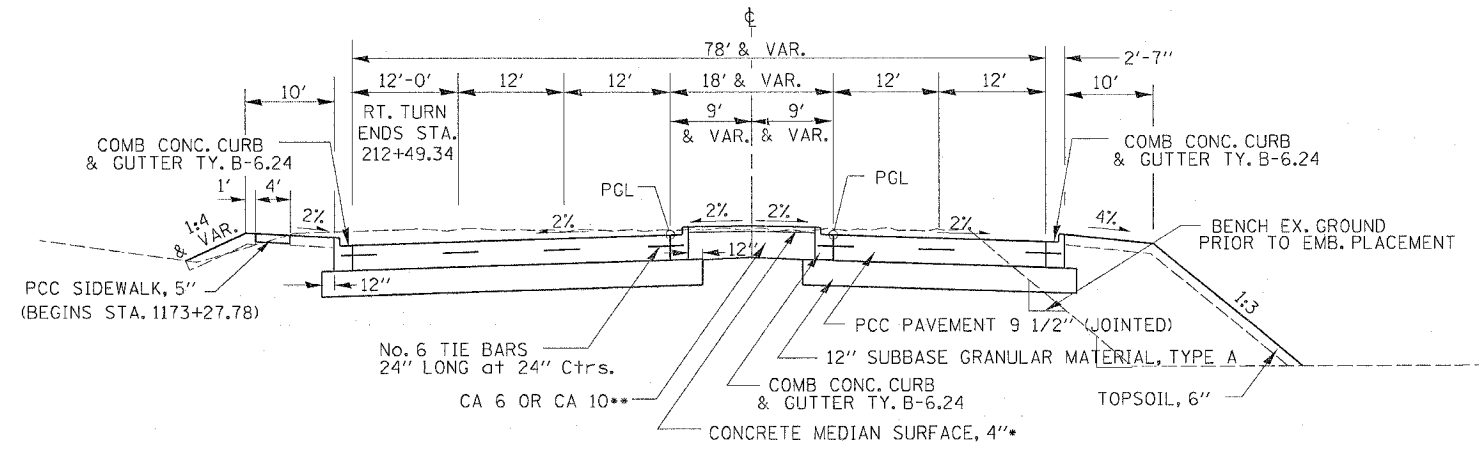


F.A.P. RTE.	SECTION	COUNTY	TOTAL SHEETS	SHEET NO.
595	1-3-K	ROCK ISLAND	476	27
STA.		TO STA.		
FED. ROAD DIST. NO.		ILLINOIS	FED. AID PROJECT	

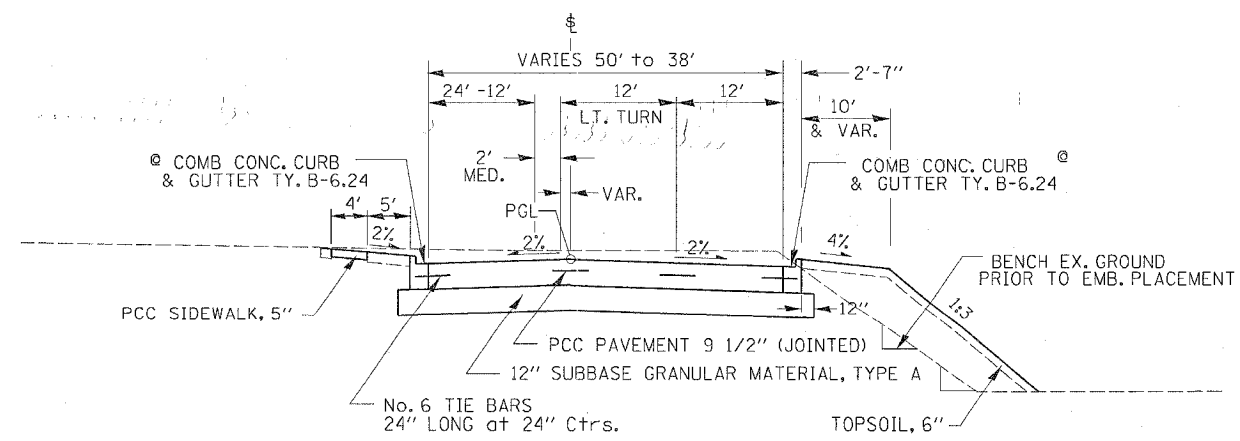
# TYPICAL SECTIONS



52ND AVENUE  
STA. 1168+21.00 - 1172+50.00



52ND AVENUE  
STA. 1172+50.00 - 215+70.80



52ND AVENUE  
STA. 215+70.80 - 218+50.00

\*CORRUGATED MEDIAN STA. 213+89.95 TO 215+70.80

\*\*The cost of CA 6 OR CA 10 to be included in the cost of SUB-BASE GRANULAR MATERIAL, TYPE A

\*\*\*End Quarry Run Granular Embankment Sta. 1171+00

@ COMBINATION CONCRETE CURB & GUTTER ENDS STATION 218+00