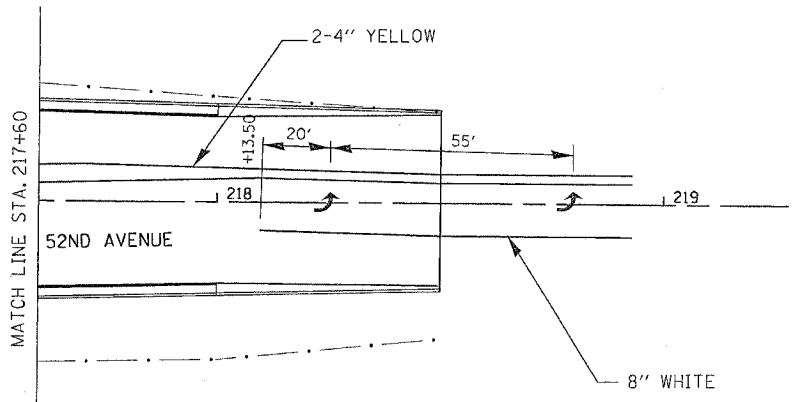
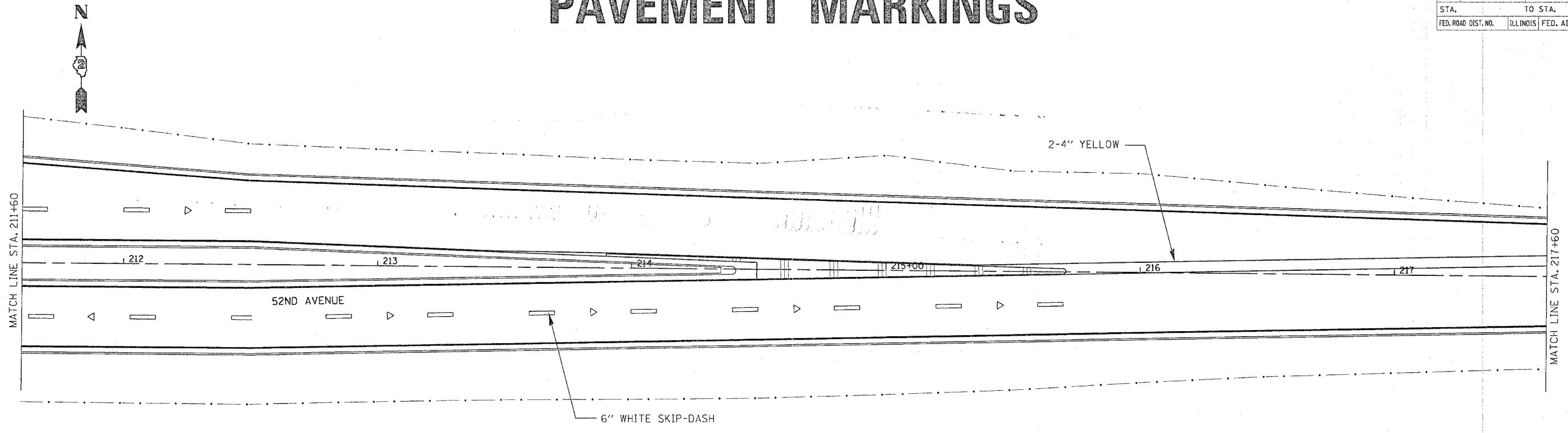


F.A.P. RTE.	SECTION	COUNTY	TOTAL SHEETS	SHEET NO.
595	1-3-K	ROCK ISLAND	476	215
STA.		TO STA.		
FED. ROAD DIST. NO.		ILLINOIS FED. AID PROJECT		

PAVEMENT MARKINGS



PAVEMENT MARKING NOTES

1. PER I.D.O.T. STD. 780001 AND DIST. STD. 44.1
2. RAISED REFLECTIVE PAVEMENT MARKERS PER I.D.O.T. STD. 781001
3. ALL LINES, SKIPS, DASHES SHALL BE STRIPED WITH POLYUREA PAVEMENT MARKING
4. ALL ARROWS SHALL BE WHITE, LARGE SIZED.