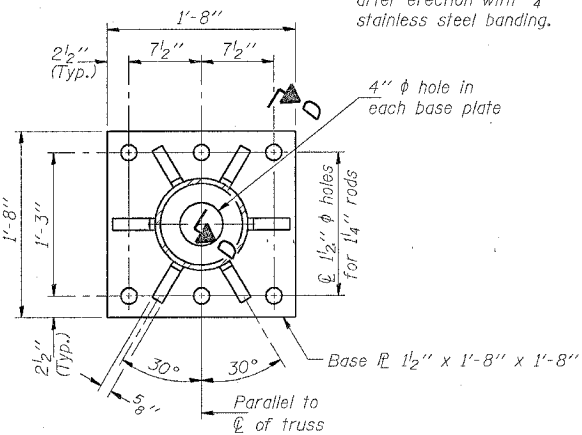
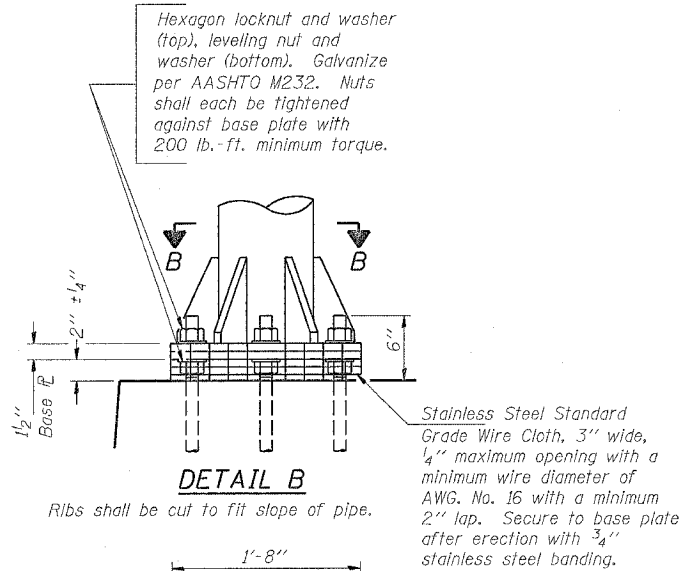
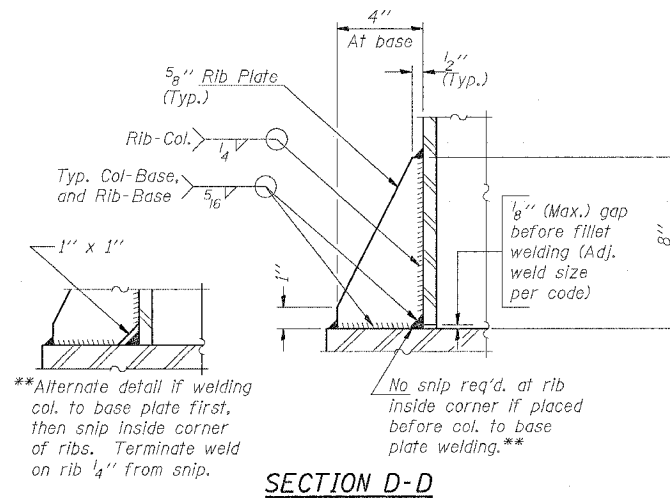


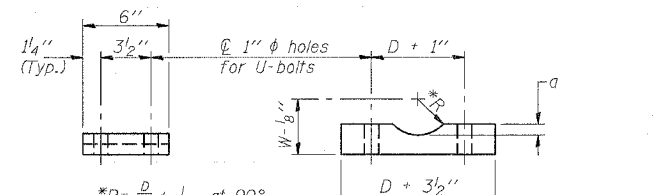
F.A.P. RTE.	SECTION	COUNTY	TOTAL SHEETS	SHEET NO.
595	1-3-K	ROCKISLAND	476	239E
STA.	TO STA.			
FED. ROAD DIST. NO.	ILLINOIS	FED. AID PROJECT		



SECTION B-B



SECTION D-D

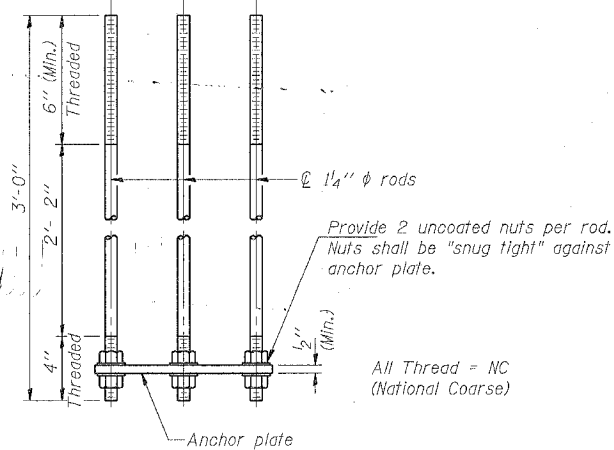
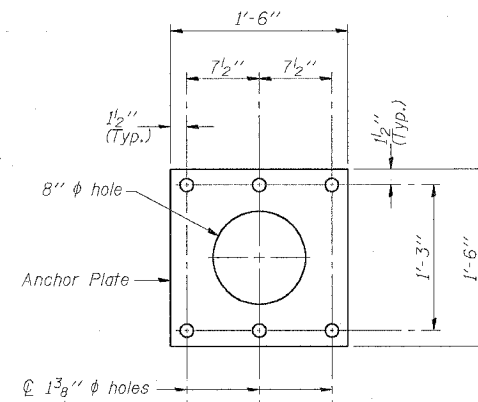


*R = $\frac{D}{2} + \frac{1}{2}$ at 90°
 D = Outside Diameter of Chord.
 For W, see Base Sheet OS-A-6.

SADDLE SHIM DETAIL

ASTM B26 Alloy 356-F
 or
 ASTM B209 Alloy 6061-T651
 (4 required per sign truss)

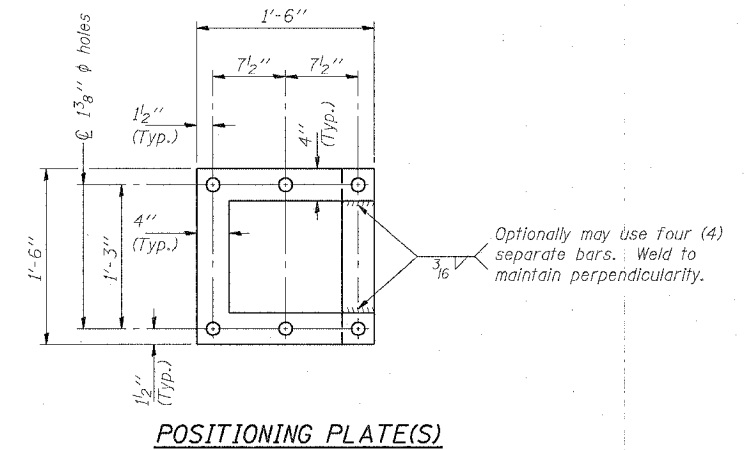
Truss Chord Nominal Dia.	a
5"	3 1/4"
5 1/2"	3 1/2"
6"	3 3/4"
6 1/2"	4"
7"	4 1/4"



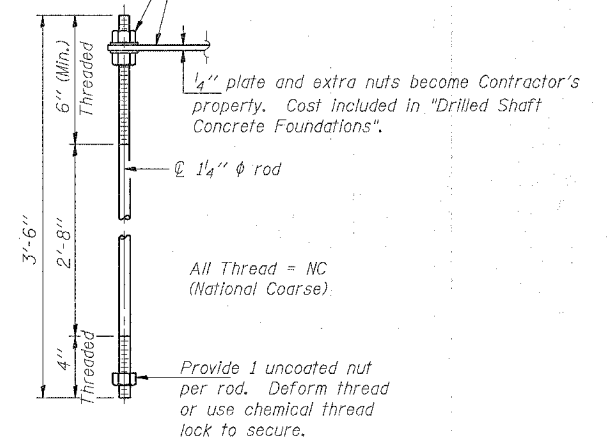
ANCHOR ROD DETAIL
 Spread Footing Foundation

Anchor rods shall conform to AASHTO M314 Grade 36 or 50 and meet Charpy V-Notch (CVN) energy of 15 lb.-ft. at 40° F. Galvanize upper 12" per AASHTO M232. No welding shall be permitted on rods.

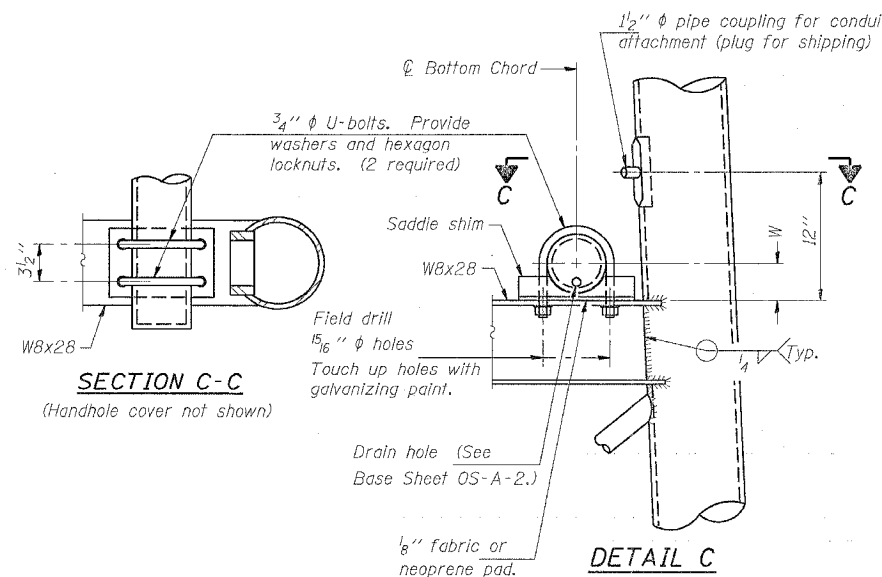
10" ϕ PIPE SUPPORT FRAME DETAILS



At each location, provide 1/4" thick positioning plate(s) and six (6) additional nuts to be used with leveling nuts to maintain anchor bolts position during concrete placement.



ANCHOR ROD DETAIL
 Drilled Shaft Foundation



NUMBER	REVISION	DATE

REVISIONS		ILLINOIS DEPARTMENT OF TRANSPORTATION
NAME	DATE	
		SCALE: VERT. HORIZ. DATE DRAWN BY CHECKED BY