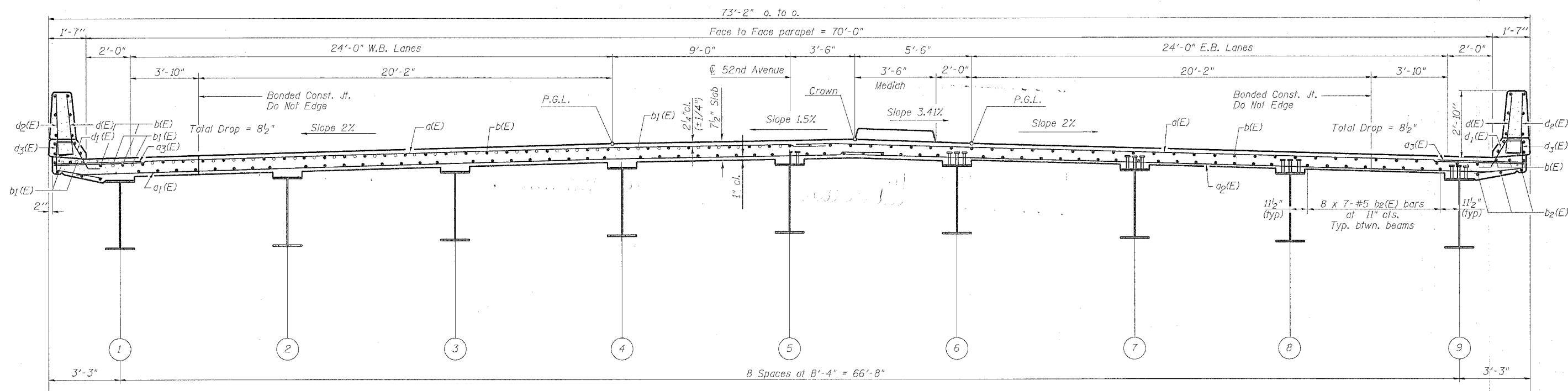


STATE OF ILLINOIS  
DEPARTMENT OF TRANSPORTATION

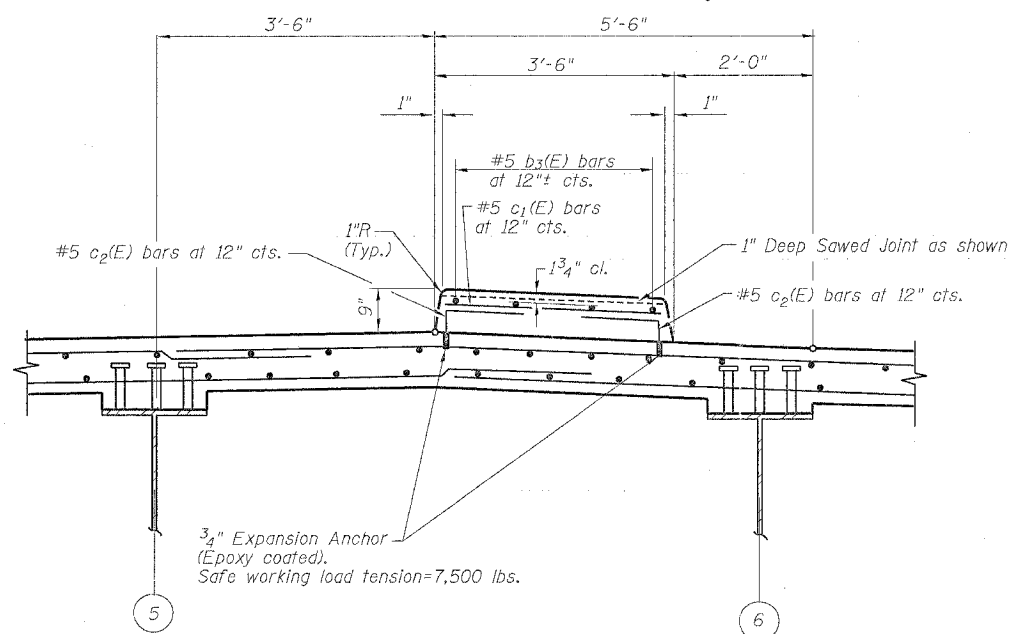
ROUTE NO.	SECTION	COUNTY	AREA	SHEET	SHEET NO.
F.A.P. 595	1-3-K	Rock Island	476	258	22 SHEETS
FED. ROAD DIST. NO. 7	ILLINOIS	FED. AID PROJECT-			



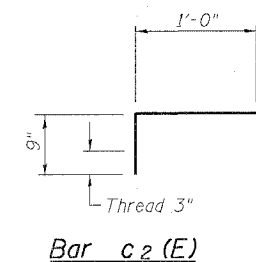
Near Pier

CROSS SECTION  
(Looking East)

Near Midspan



SECTION THRU MEDIAN



Notes:  
See Sheet 8 of 22 for superstructure details and Bill of Material.  
Reinforcement bars designated (E) shall be epoxy coated.  
Bars indicated thus 20 x 3-#5 etc. indicates 20 lines of bars with 3 lengths per line.  
See Sheet 8 of 22 for parapet reinforcement.

DESIGNED	JBF
CHECKED	JBF
DRAWN	RAP
CHECKED	JBF

CROSS SECTION

52nd AVE. OVER MILAN BELTWAY  
FAU ROUTE 5822 SECTION 1-3  
ROCK ISLAND COUNTY  
STATION 1159+12.92  
STRUCTURE NO. 081-0156