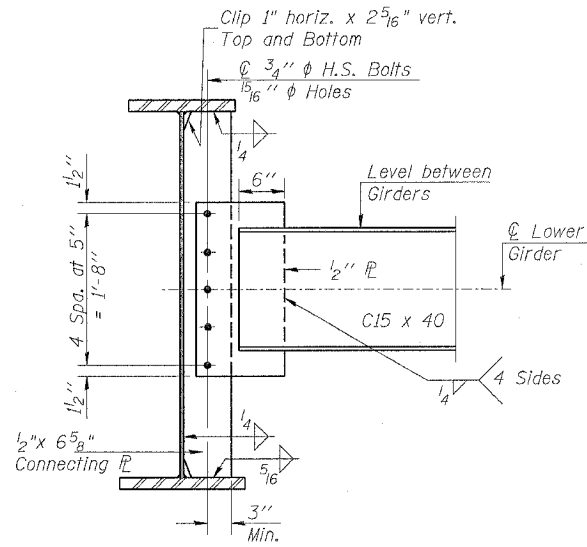
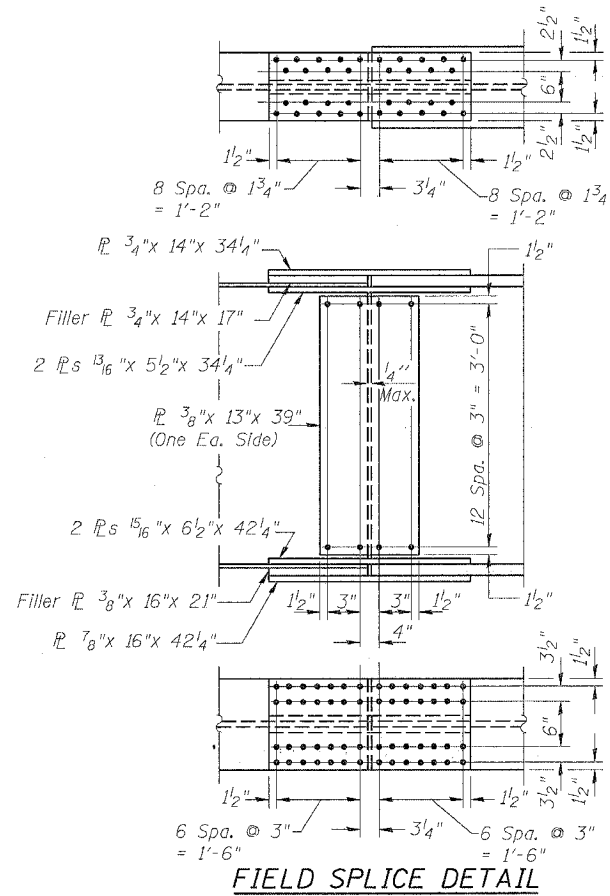


STATE OF ILLINOIS
DEPARTMENT OF TRANSPORTATION

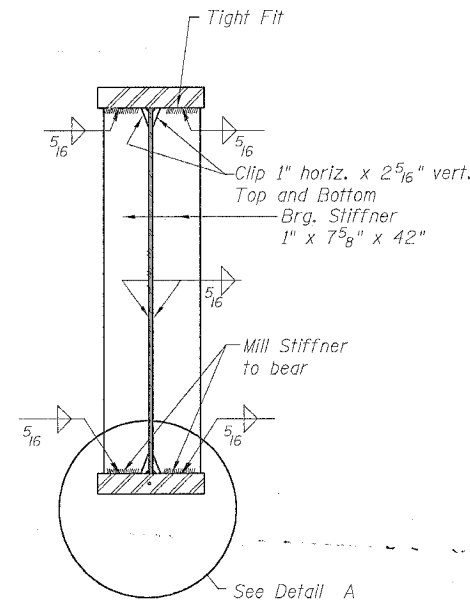
ROUTE NO.	SECTION	COUNTY	STATES	SHEET	SHEET NO. 12 22 SHEETS
F.A.P. 595	1-3-K	Rock Island	476	263	
FED. ROAD DIST. NO. 7	ILLINOIS	FED. AID PROJECT			



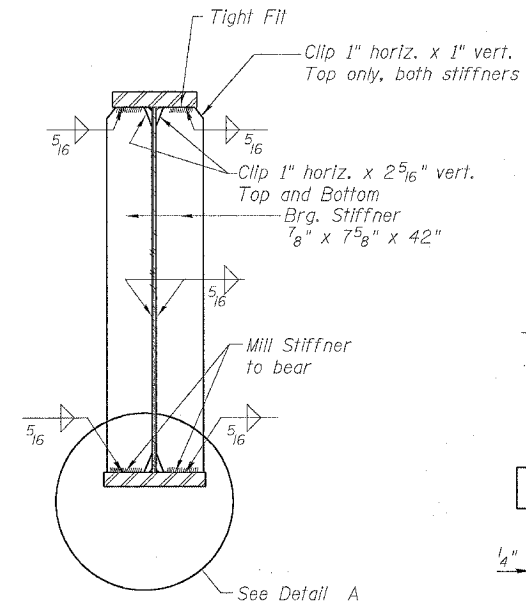
DIAPHRAGM D
96 Required



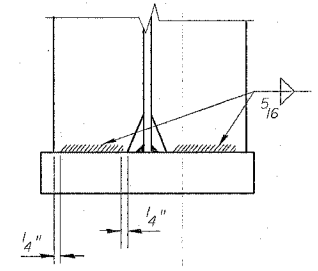
FIELD SPLICE DETAIL



SECTION AT PIER

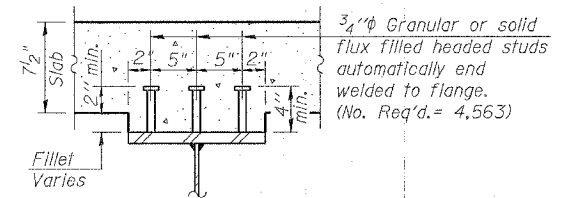


SECTION AT ABUTMENTS

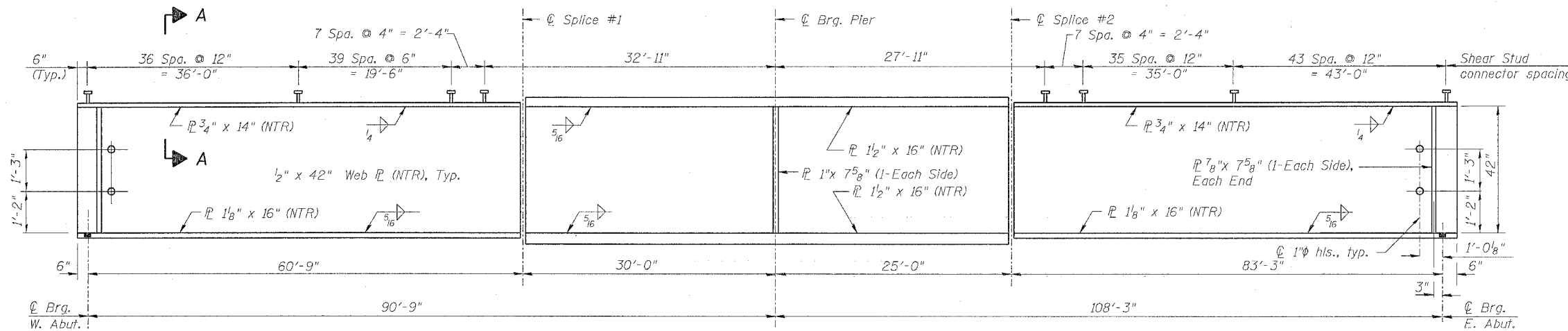


DETAIL A

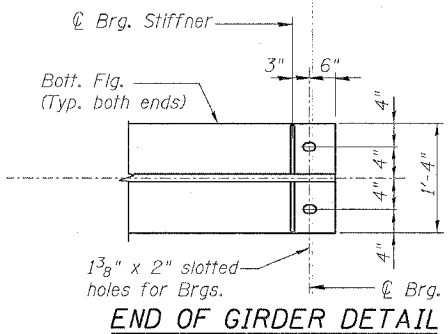
Note:
Two hardened washers shall be required over all oversized holes.
All splice plates except fill plates shall be AASHTO M270, Gr 50.
All fill plates, diaphragms and connecting plates shall be AASHTO M270, Gr 36.
All bolts for splice plates are 7/8" HS in 1 5/16" open holes.



SECTION A-A



GIRDER ELEVATION



END OF GIRDER DETAIL

"NTR" denotes plates to which notch toughness requirements are applicable.
All plates of the girders, including bearing stiffeners, shall be AASHTO M270 Grade 50.

DESIGNED	JDC
CHECKED	JBF
DRAWN	RAP
CHECKED	JBF

SI-DS1 9-01-03

STRUCTURAL STEEL DETAILS

52nd AVE. OVER MILAN BELTWAY
FAU ROUTE 5822 SECTION 1-3
ROCK ISLAND COUNTY
STATION 1159+12.92
STRUCTURE NO. 081-0156