

STATE OF ILLINOIS
DEPARTMENT OF TRANSPORTATION

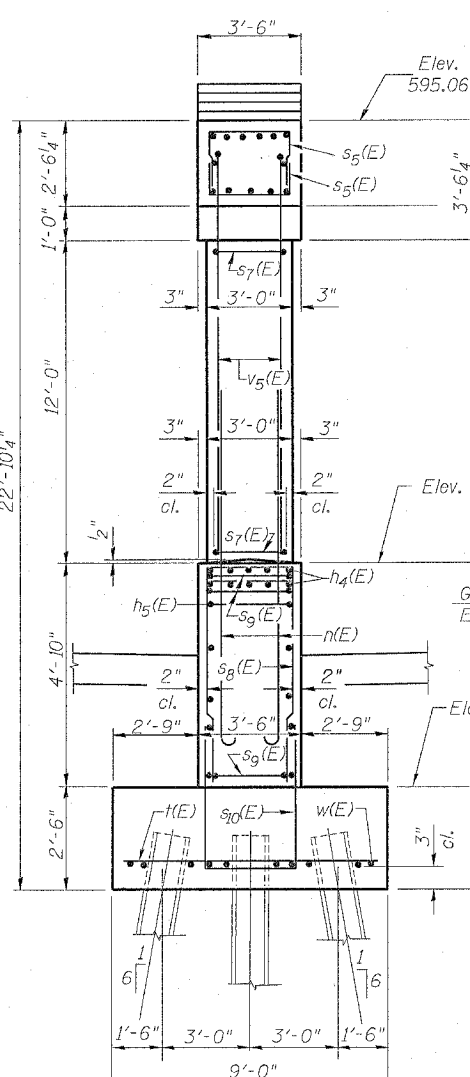
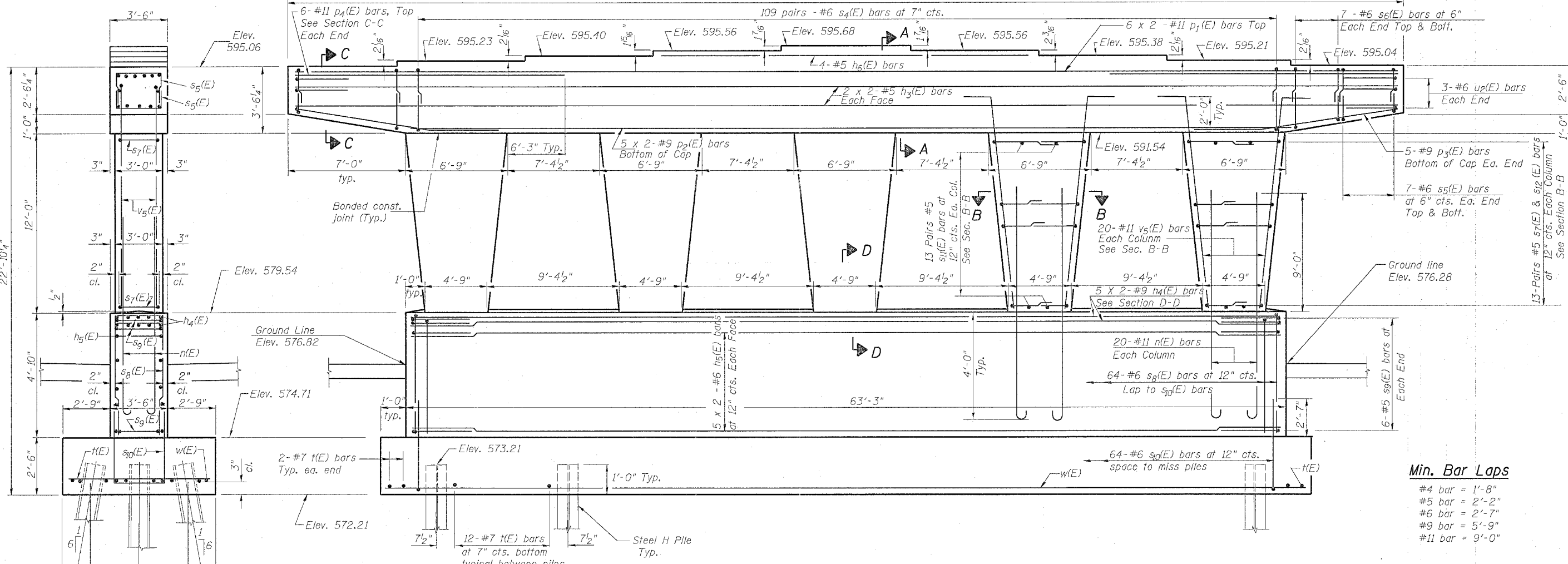
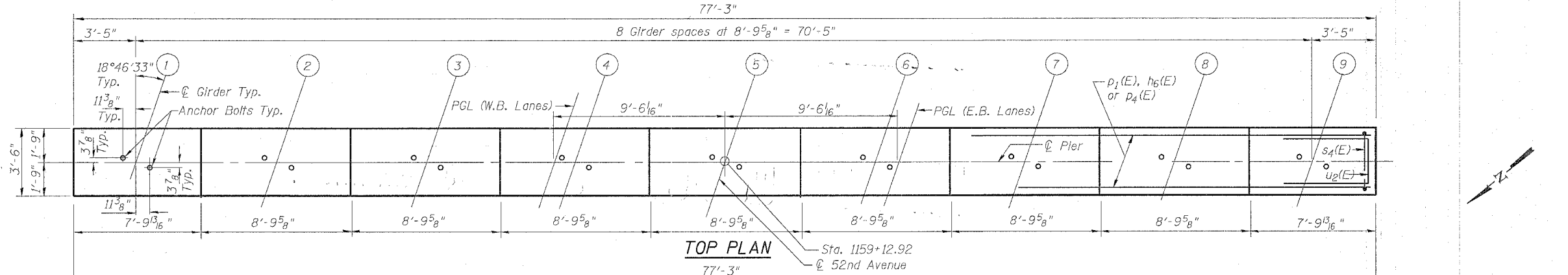
ROUTE NO. - F.A.P. 595	SECTION I-3-K	COUNTY Rock Island	SHEETS 476	SHEET 269	SHEET NO. 18 22 SHEETS
FED. ROAD DIST. NO. 7		ILLINOIS		FED. AID PROJECT	

Note:

Space reinforcement in cap to miss anchor bolts.
Pour steps monolithically with cap.

Reinforcement bars designated (E) shall be epoxy coated.
Bars designated thus 6 x 2 - #9 etc. indicates 6 lines of bars with 2 lengths per line.

See Sheets 13 & 14 of 22 for Anchor Bolt Details.



PILE DATA
Type: Steel HP 10 x 57
Capacity: Driven to refusal
Est. Length 31 ft.
No. Req'd.: 26 + 1 Test Pile

ELEVATION
(Looking East)

Min. Bar Laps
#4 bar = 1'-8"
#5 bar = 2'-2"
#6 bar = 2'-7"
#9 bar = 5'-9"
#11 bar = 9'-0"

PIER DETAILS
52nd AVE. OVER MILAN BELTWAY
FAU ROUTE 5822 SECTION I-3
ROCK ISLAND COUNTY
STATION 1159+12.92
STRUCTURE NO. 081-0156

DESIGNED	JDC
CHECKED	JBF
DRAWN	RAP
CHECKED	JBF