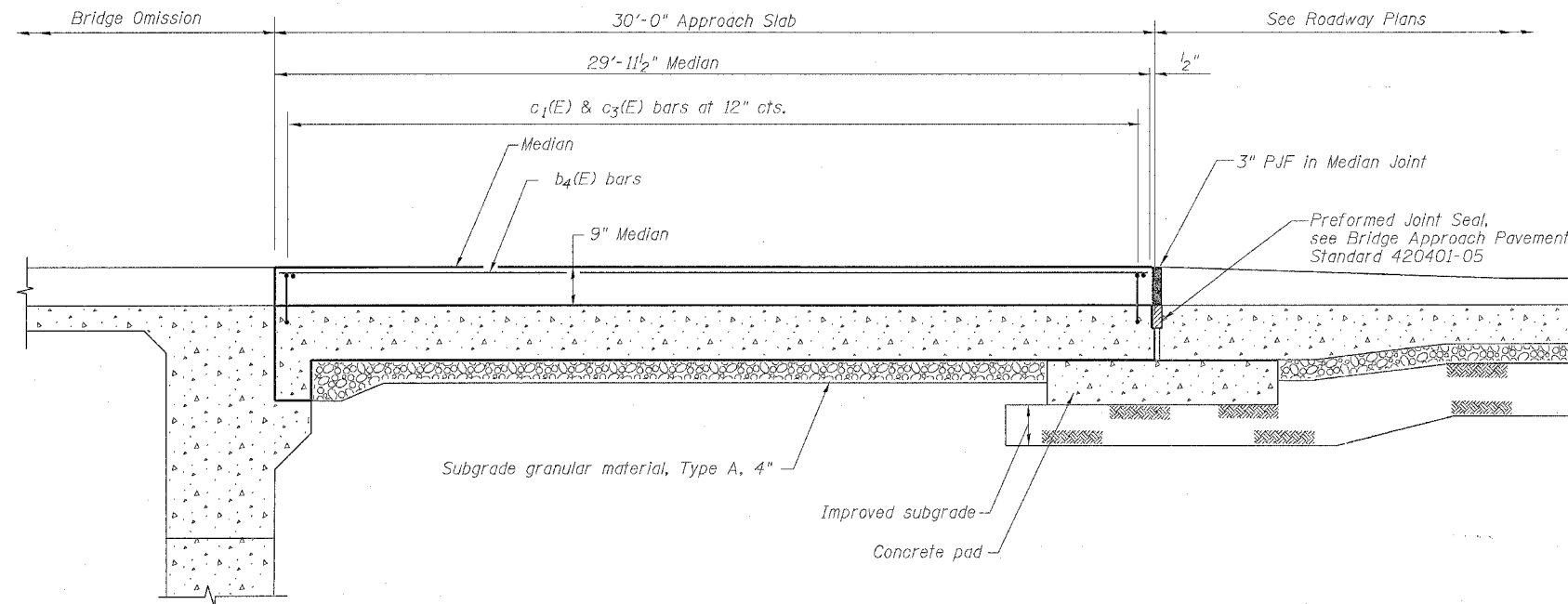


STATE OF ILLINOIS  
DEPARTMENT OF TRANSPORTATION

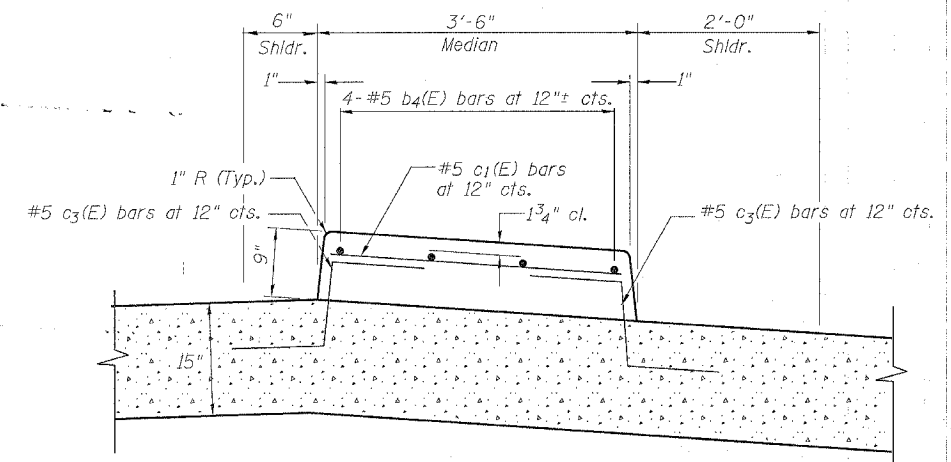
ROUTE NO.	SECTION	COUNTY	TOTAL SHEETS	SHEET NO.	SHEET NO.
F.A.P. 595	1-3-K	Rock Island	476	271	22 SHEETS
FED. ROAD DIST. NO. 7	ELLINGER	FED. AID PROJECT			



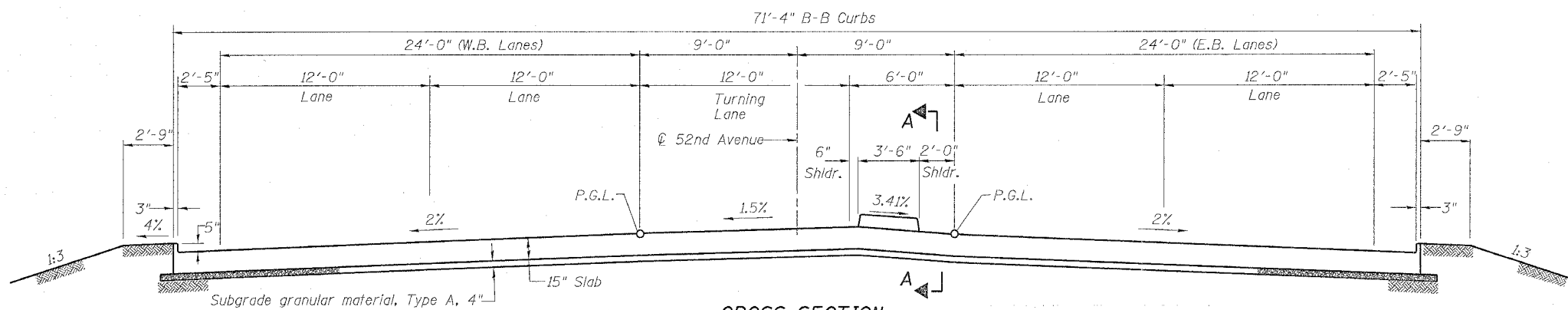
SECTION A-A

Notes:

Reinforcement bars and concrete in the median shall be included in the cost of Bridge Approach Pavement (Special).  
For additional approach pavement details, see Roadway Plans Standard 420401-2.  
For quantity of Bridge Approach Pavement (Special), see Roadway Plans.



SECTION THRU MEDIAN

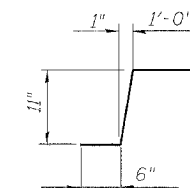


CROSS SECTION  
Looking East  
(Dimensions are at right <'s to 52nd Ave.)

TWO APPROACH PAVEMENTS  
BILL OF MATERIAL  
(For Information Only)

Bar	No.	Size	Length	Shape
b4(E)	8	#5	29'-6"	—
c1(E)	62	#5	3'-0"	—
c2(E)	124	#5	2'-7"	┌

Reinforcement bars designated (E) shall be epoxy coated.



Bar c3(E)

BRIDGE APPROACH PAVEMENT (SP)

52nd AVE. OVER MILAN BELTWAY  
FAU ROUTE 5822 SECTION 1-3  
ROCK ISLAND COUNTY  
STATION 1159+12.92  
STRUCTURE NO. 081-0156

DESIGNED	JBFB
CHECKED	JBFB
DRAWN	RAP
CHECKED	JBFB