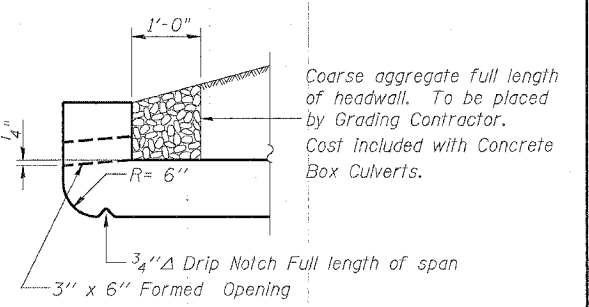
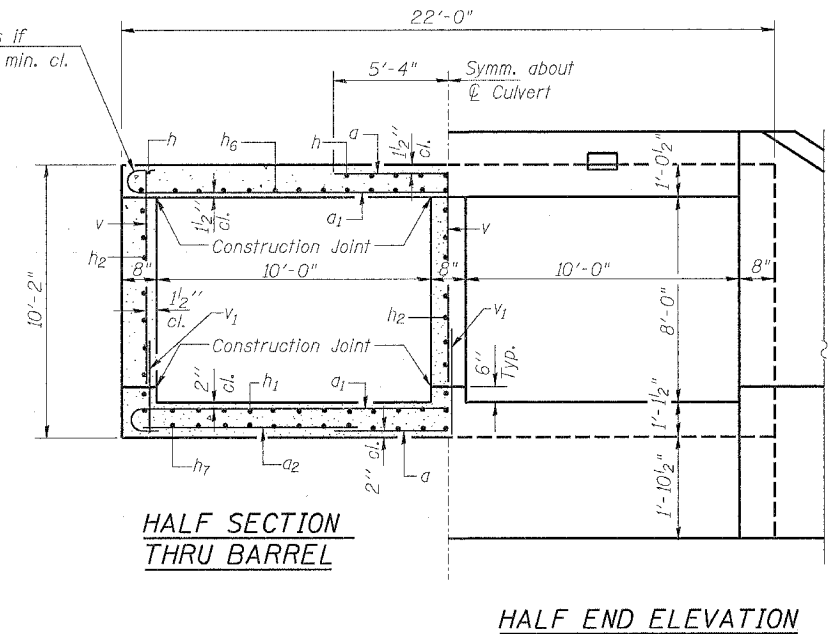
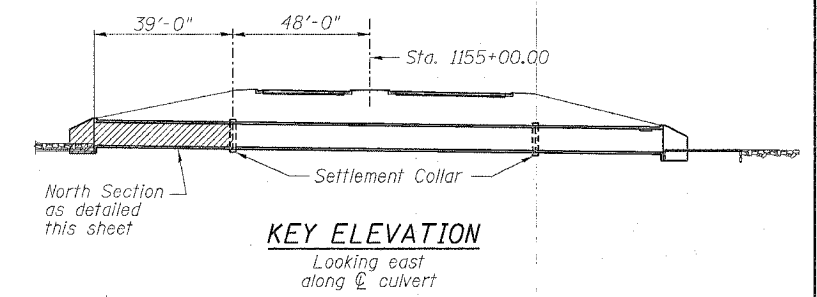
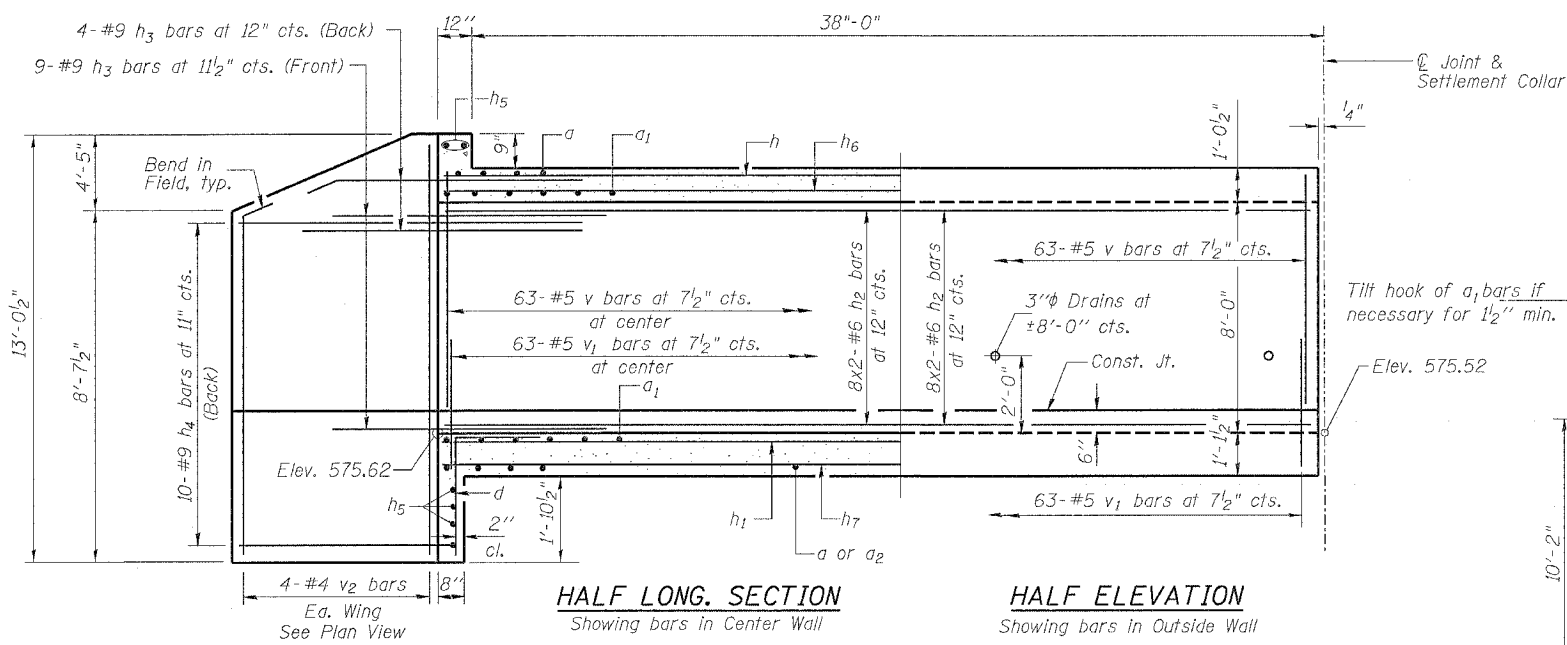


STATE OF ILLINOIS  
DEPARTMENT OF TRANSPORTATION

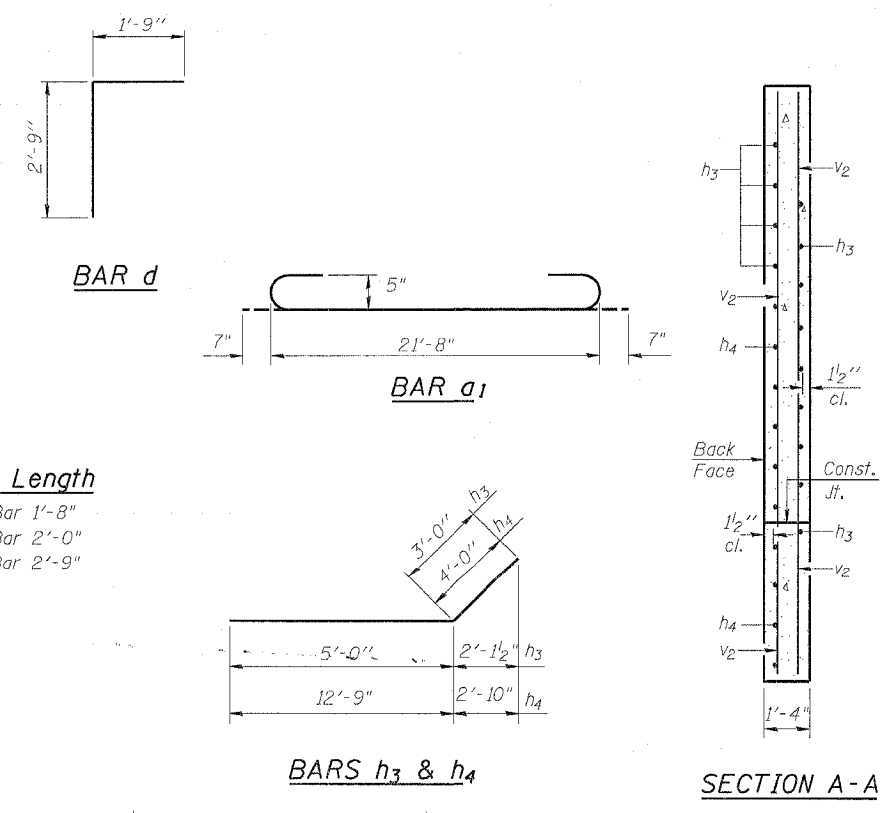
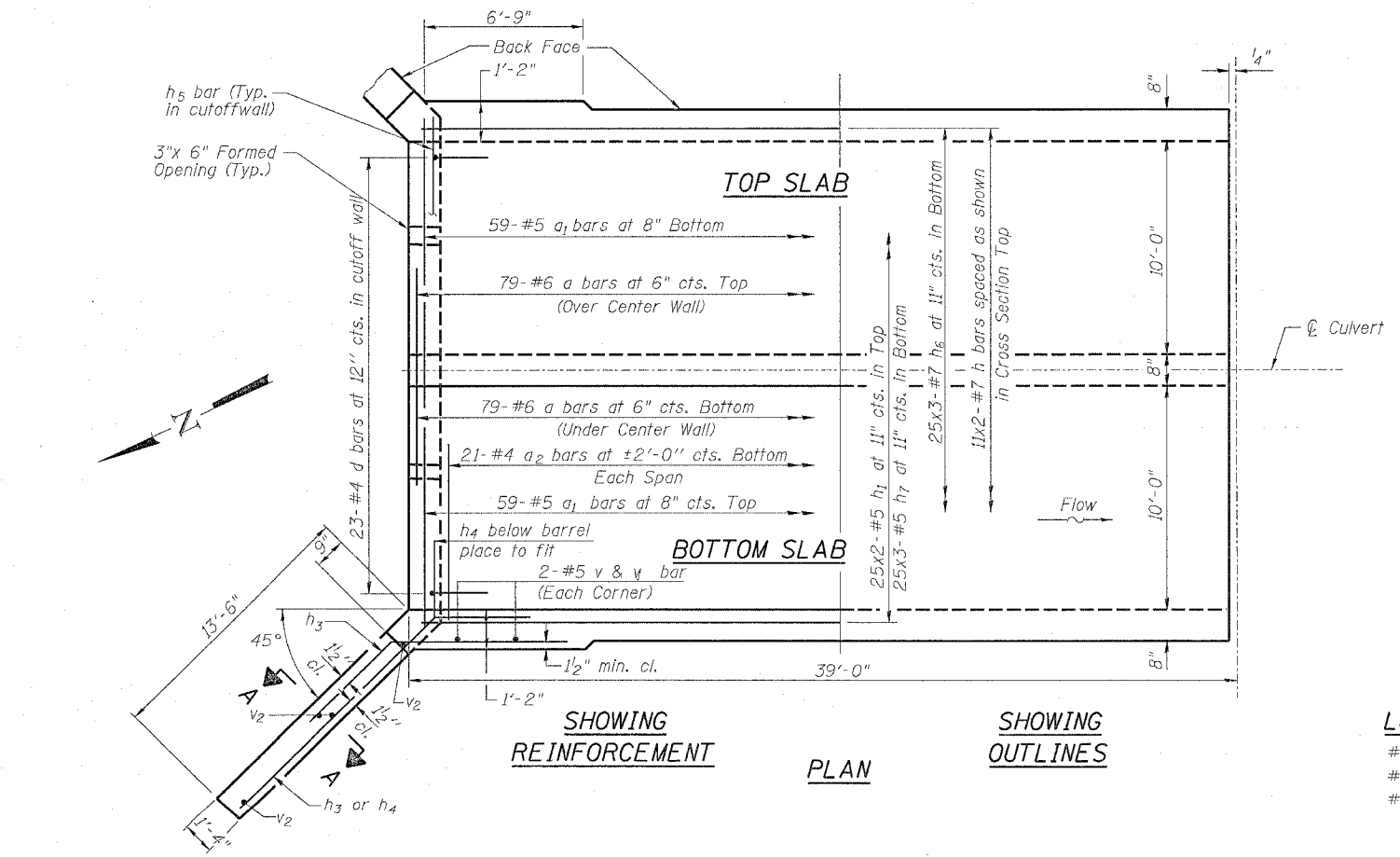
|                       |         |             |                   |           |           |
|-----------------------|---------|-------------|-------------------|-----------|-----------|
| ROUTE NO.             | SECTION | COUNTY      | TOTAL SHEETS      | SHEET NO. | SHEET NO. |
| F.A.P. 595            | I-3-K   | Rock Island | 476               | 275       | 7 SHEETS  |
| FED. ROAD DIST. NO. 7 |         | ILLINOIS    | FED. AID PROJECT- |           |           |



**AT UPSTREAM END DRAIN DETAIL**

**BILL OF MATERIAL NORTH SECTION**

| Bar                   | No. | Size | Length  | Shape  |
|-----------------------|-----|------|---------|--------|
| a                     | 158 | #6   | 10'-8"  | U      |
| a <sub>1</sub>        | 118 | #5   | 22'-10" | U      |
| a <sub>2</sub>        | 42  | #4   | 6'-10"  | U      |
| d                     | 23  | #4   | 4'-6"   | L      |
| h                     | 22  | #7   | 20'-8"  | —      |
| h <sub>1</sub>        | 50  | #5   | 20'-1"  | —      |
| h <sub>2</sub>        | 48  | #6   | 20'-3"  | —      |
| h <sub>3</sub>        | 26  | #9   | 8'-0"   | —      |
| h <sub>4</sub>        | 20  | #9   | 16'-9"  | —      |
| h <sub>5</sub>        | 5   | #6   | 21'-8"  | —      |
| h <sub>6</sub>        | 75  | #7   | 14'-9"  | —      |
| h <sub>7</sub>        | 75  | #5   | 14'-0"  | —      |
| v                     | 193 | #5   | 8'-2"   | —      |
| v <sub>1</sub>        | 193 | #5   | 3'-4"   | —      |
| v <sub>2</sub>        | 8   | #4   | 12'-6"  | —      |
| Concrete Box Culverts |     |      | Cu. Yd. | 110.9  |
| Reinforcement Bars    |     |      | Pound   | 16,790 |



**CULVERT DETAILS AND SECTION**  
52ND AVENUE EXTENSION  
OVER AN UNNAMED STREAM  
FAU ROUTE 5822 SECTION I-3  
ROCK ISLAND COUNTY  
STATION 1155+00  
STRUCTURE NO. 081-2035

|          |     |
|----------|-----|
| DESIGNED | JDC |
| CHECKED  | BDF |
| DRAWN    | RAP |
| CHECKED  | BDF |

DB-H-0 10-31-02