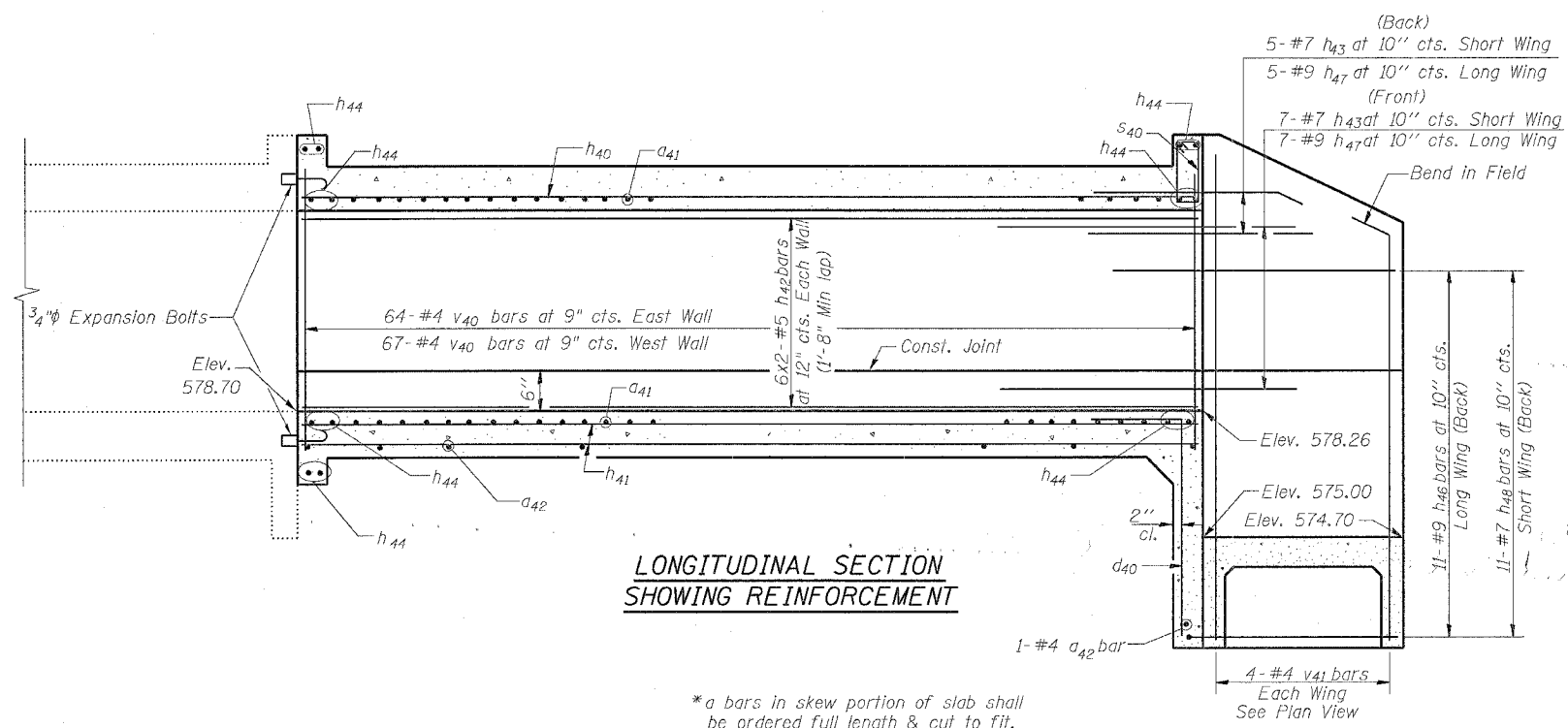


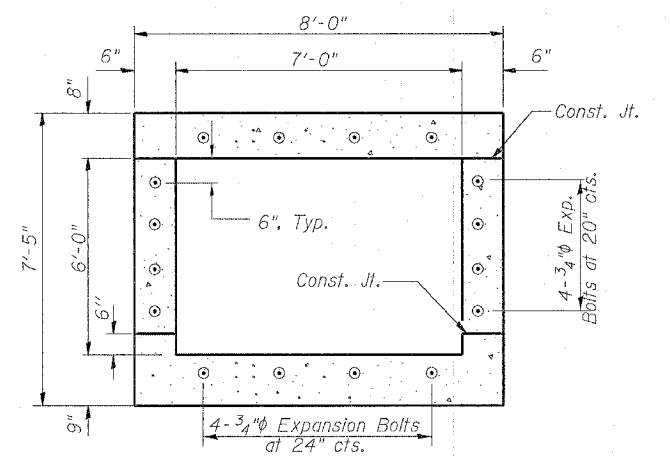
STATE OF ILLINOIS
DEPARTMENT OF TRANSPORTATION

ROUTE NO.	SECTION	COUNTY	FEET/INCHES	SHEET NO.	SHEET NO.
F.A.P. 595	1-3-K	Rock Island	476	285	5 SHEETS
FED. ROAD DIST. NO. 7	ILLINOIS	FED. AID PROJECT-			

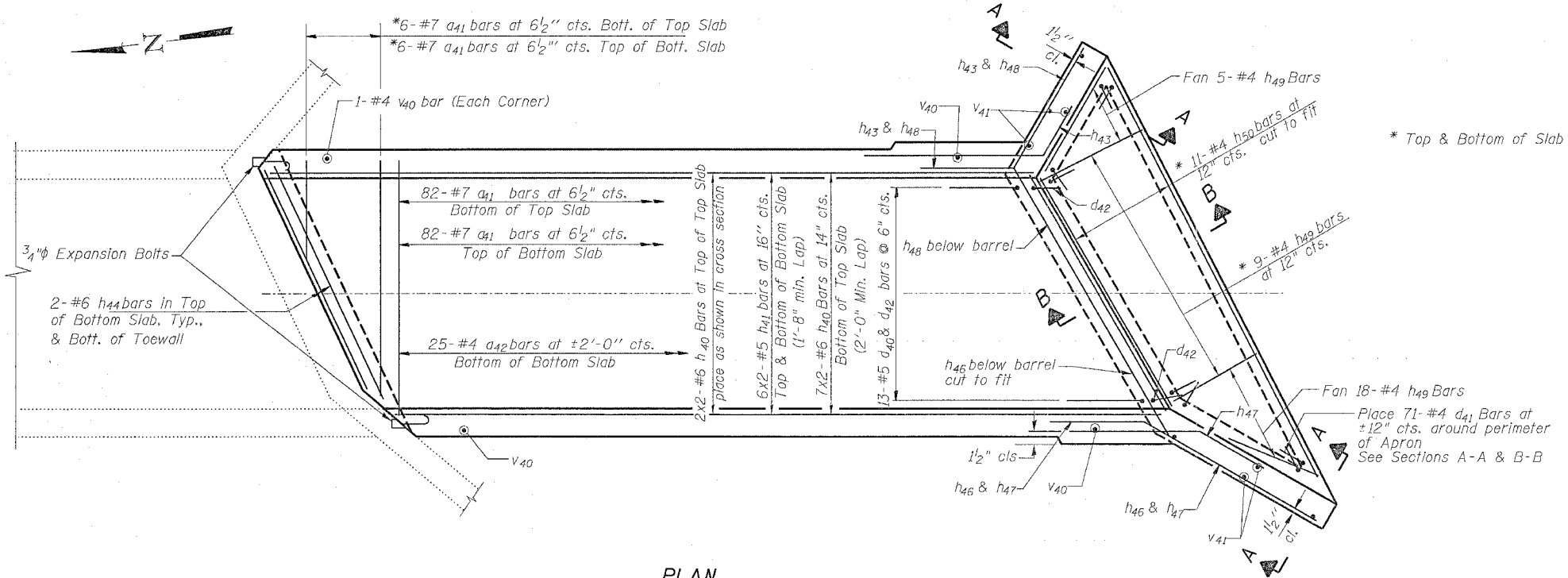


**LONGITUDINAL SECTION
SHOWING REINFORCEMENT**

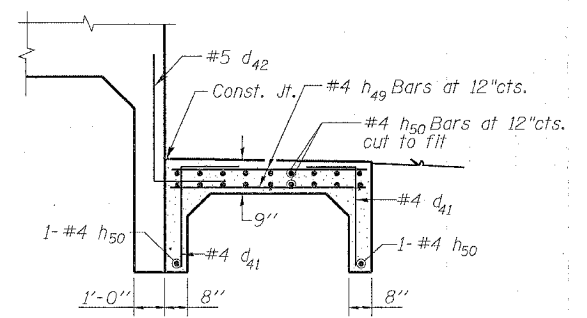
*a bars in skew portion of slab shall be ordered full length & cut to fit. Balance of bar to be used in opposite end of culvert.



**SECTION THRU BARREL
Showing 3/4" Expansion Bolts**



**PLAN
SHOWING REINFORCEMENT**



**SECTION B-B
SHOWING REINFORCEMENT**

DESIGNED	JDC
CHECKED	BDF
DRAWN	RAP
CHECKED	BDF

DOWNSTREAM EXTENSION DETAILS
FA ROUTE 595 SECTION 1-3-K
ROCK ISLAND COUNTY
STATION 410+21.25 (JOHN DEERE ROAD)
STATION 167+88.19 (VALLEY VIEW DRIVE)