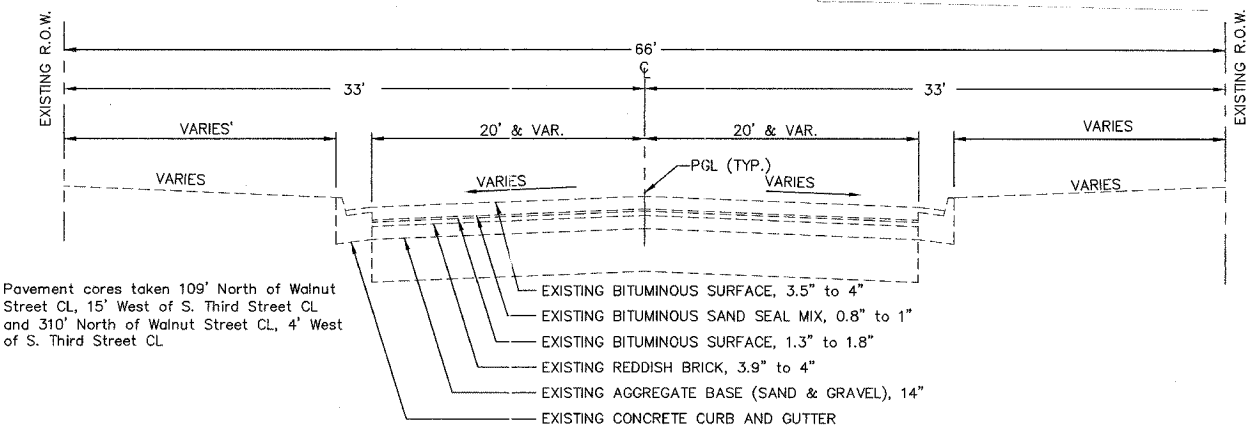
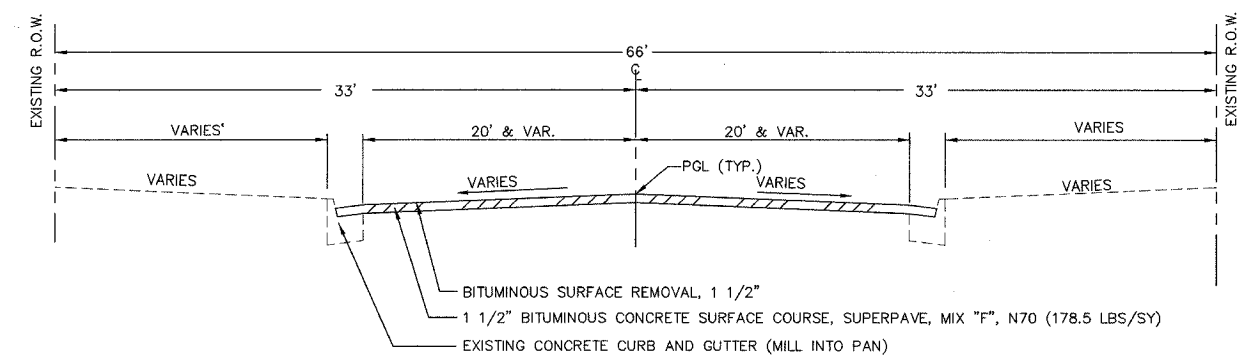


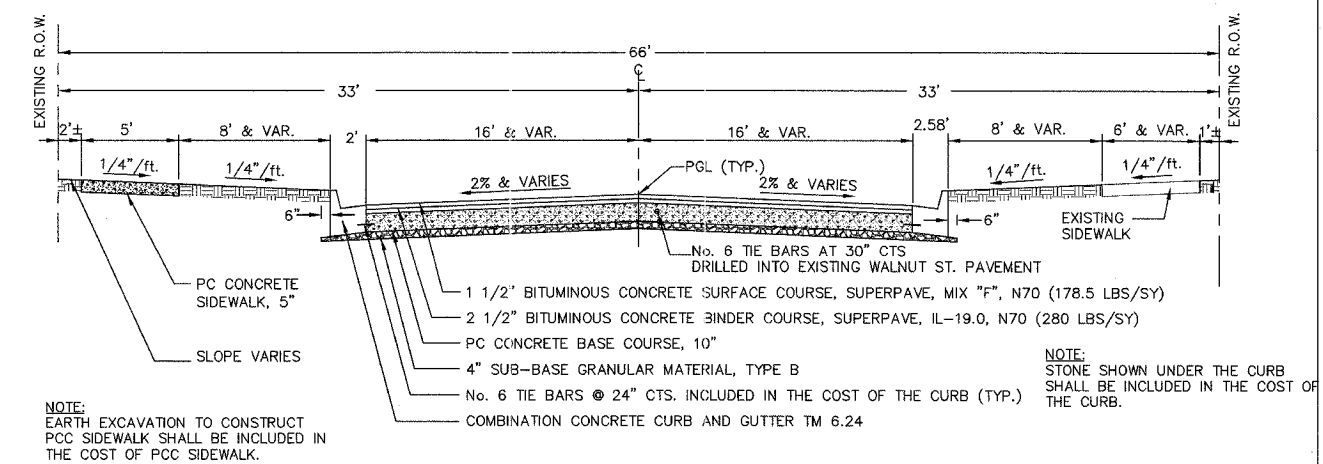
EXISTING TYPICAL SECTION - SOUTH SECOND STREET (EAST STATE ST. - WALNUT ST.)
 NOT TO SCALE



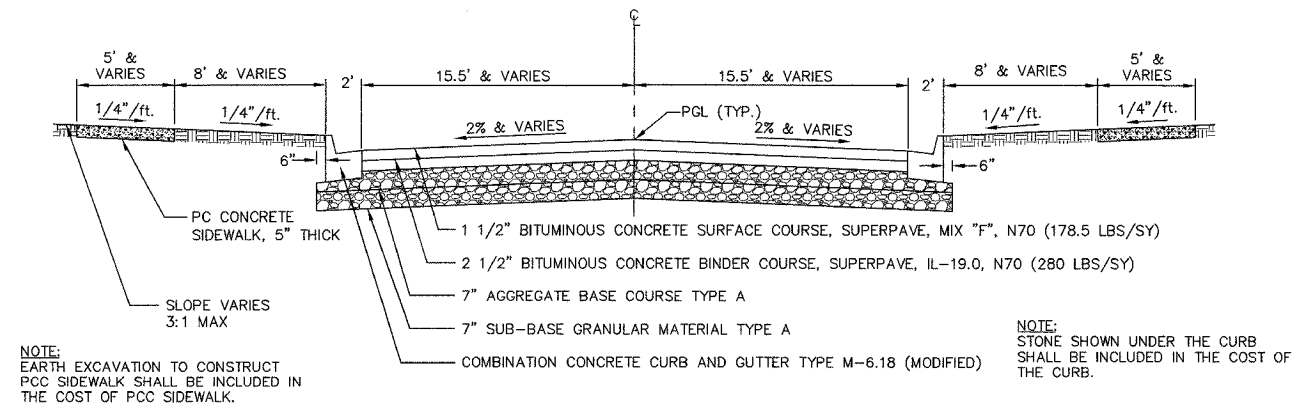
EXISTING TYPICAL SECTION - SOUTH THIRD STREET (EAST STATE ST. - WALNUT ST.)
 NOT TO SCALE



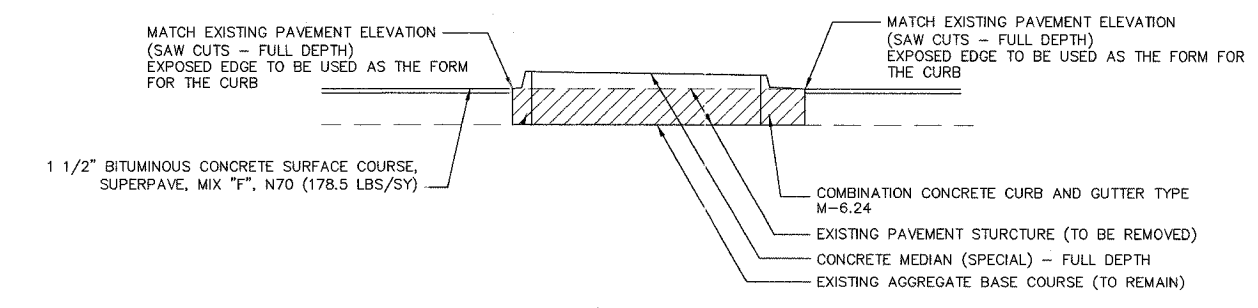
PROPOSED TYPICAL SECTION - SOUTH SECOND STREET (STA. 2+08 - STA. 5+45.58)
 NOT TO SCALE



PROPOSED TYPICAL SECTION - SOUTH SECOND STREET (STA. 5+77 - STA. 6+21.59)
 NOT TO SCALE



PROPOSED TYPICAL SECTION - SOUTH SECOND STREET (STA. 6+21.59 - STA. 6+71.00)
 NOT TO SCALE



CONCRETE MEDIAN, (SPECIAL) - (STA. 4+48 - STA. 5+35)
 NOT TO SCALE

REVISIONS		
NO.	ITEM	DATE

PLOTTING SCALE: 1"=1'
 DRAWN BY: BSL
 CHECKED BY: JWH
 DATE: DECEMBER 1, 2004

McCLURE ENGINEERING ASSOCIATES, INC.
 7282 Argus Drive Rockford, Illinois 61107
 (815) 398-2332 FAX (815) 398-2498
 Design Firm License: Illinois #184-000816

TYPICAL SECTIONS
 CITY OF ROCKFORD
 WALNUT STREET (HEB) ROCKFORD, ILLINOIS
 FILE NAME: H:\SecondSt-2004(HEB)\Tpssect.dwg SEC. 140CS-TS-3 JOB NUMBER: 04-28-04-045