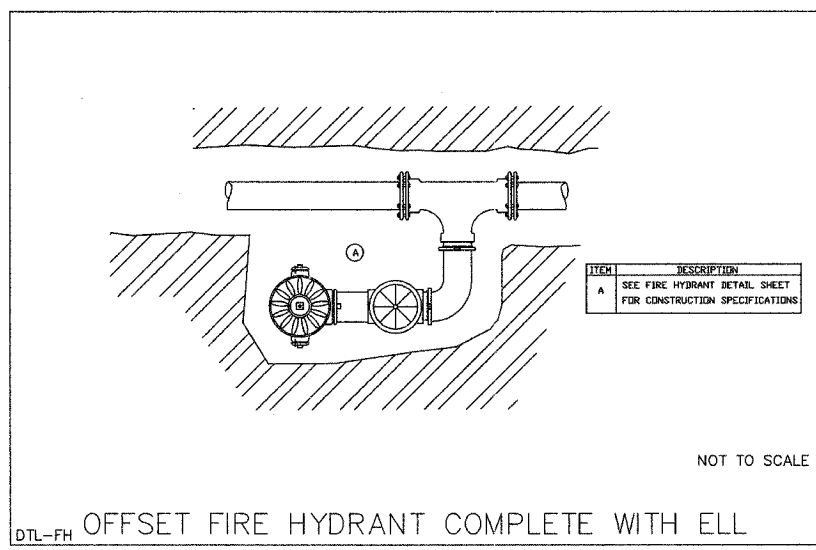
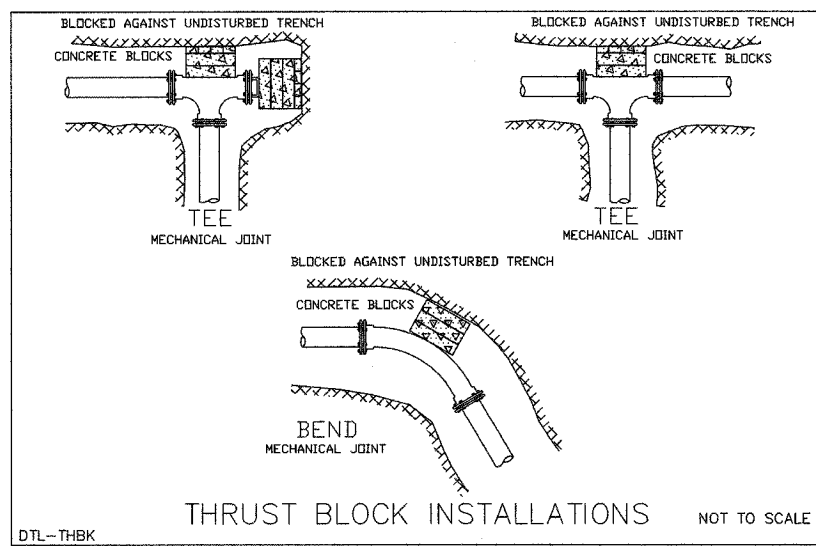
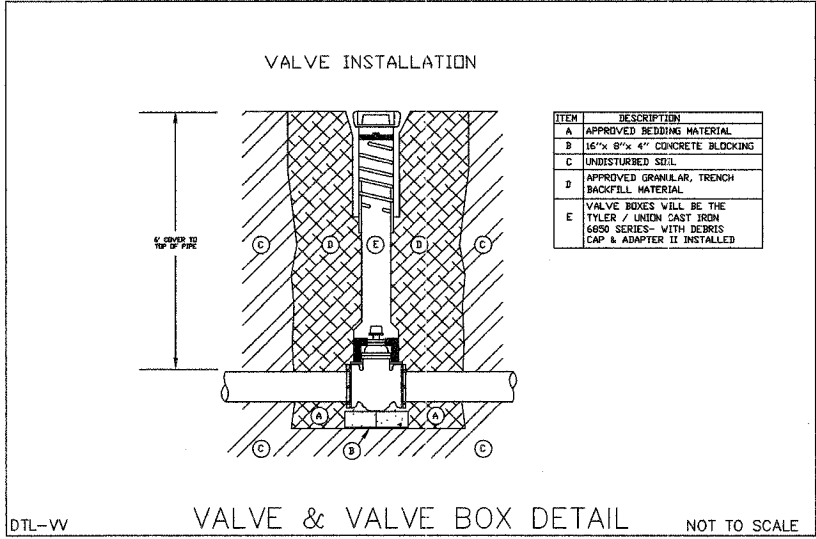
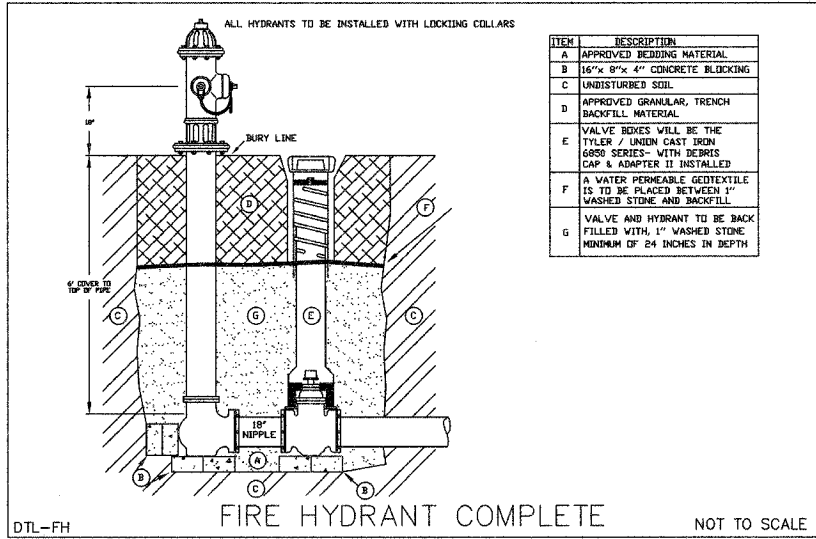
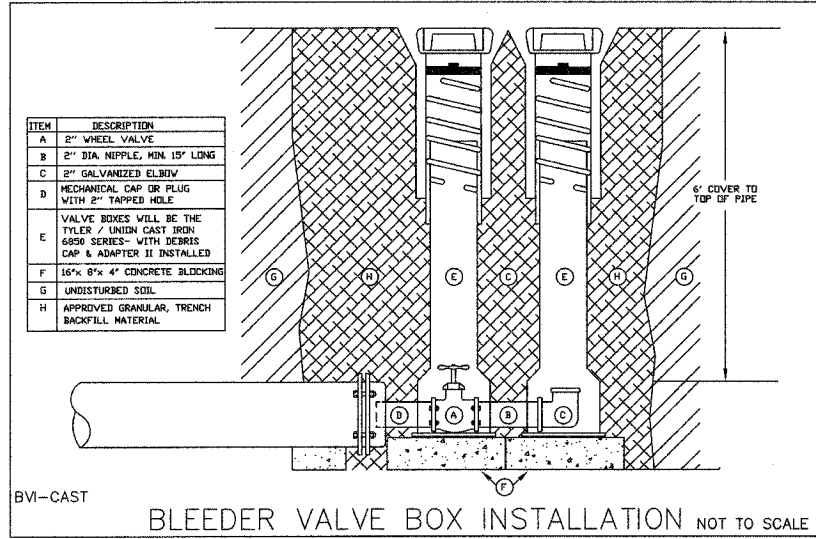
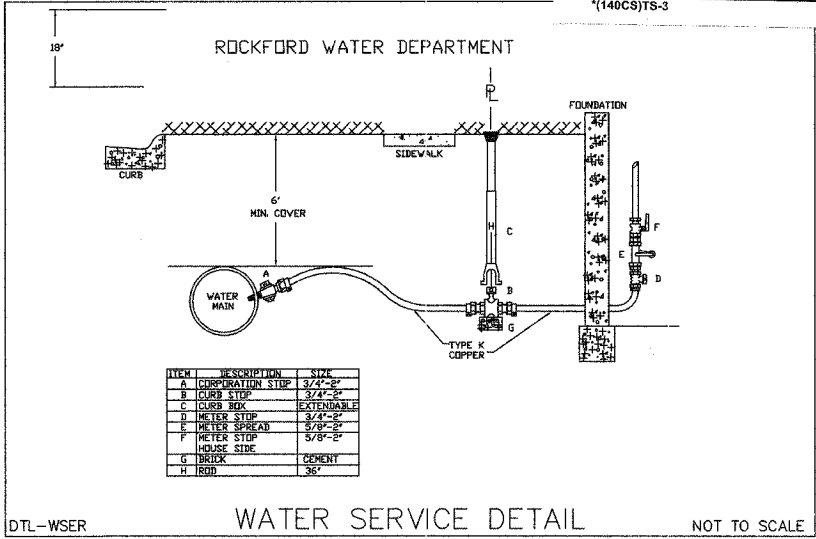
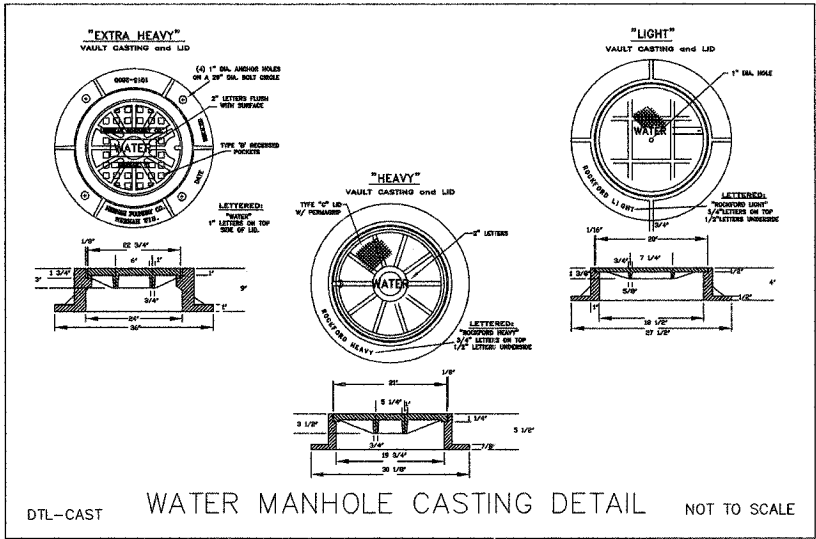
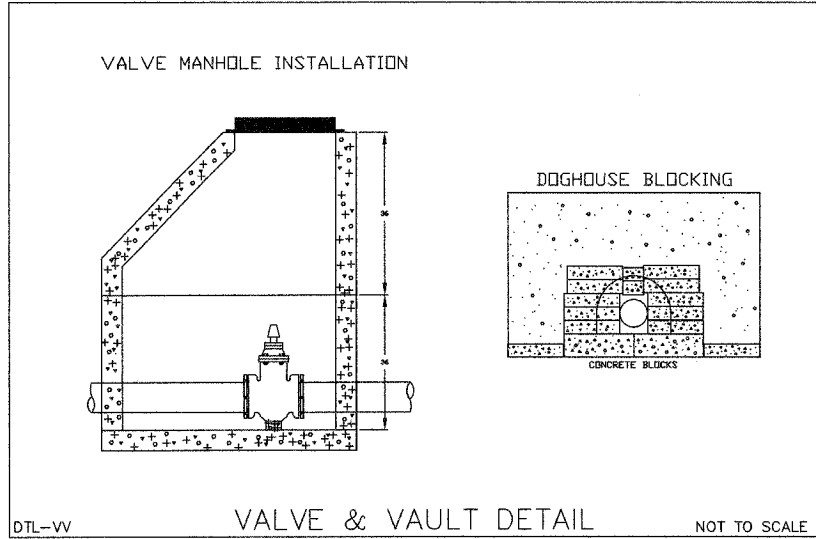


64A38
 28/21



STANDARD DETAILS ROCKFORD WATER DIVISION

REVISIONS		
NO.	ITEM	DATE

PLOTTING SCALE:	1"=1'
DRAWN BY:	BSL
CHECKED BY:	JWH
DATE:	DECEMBER 1, 2004

McCLURE ENGINEERING ASSOCIATES, INC.
 7282 Argus Drive
 Rockford, Illinois 61107
 (815) 398-2332 FAX (815) 398-2496
 Design Firm License: Illinois #184-000816

CITY OF ROCKFORD WATER DIVISION DETAILS
 CITY OF ROCKFORD
 WALNUT STREET (HEB)
 ROCKFORD, ILLINOIS
 FILE NAME: H:\SecondSt-2004(HEB)\Details.dwg SEC. 140CS-TS-3 JOB NUMBER: 04-28-04-045