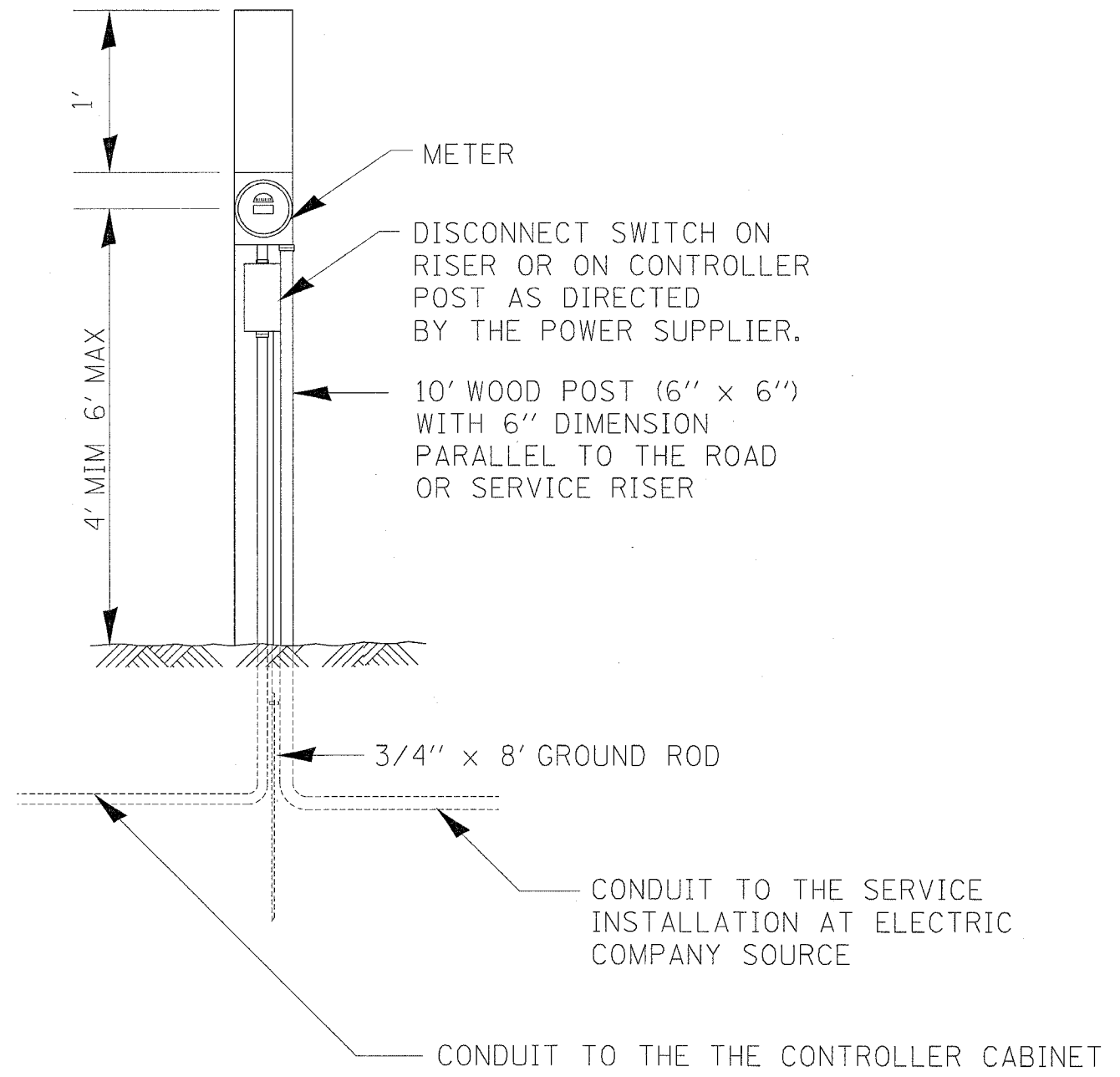
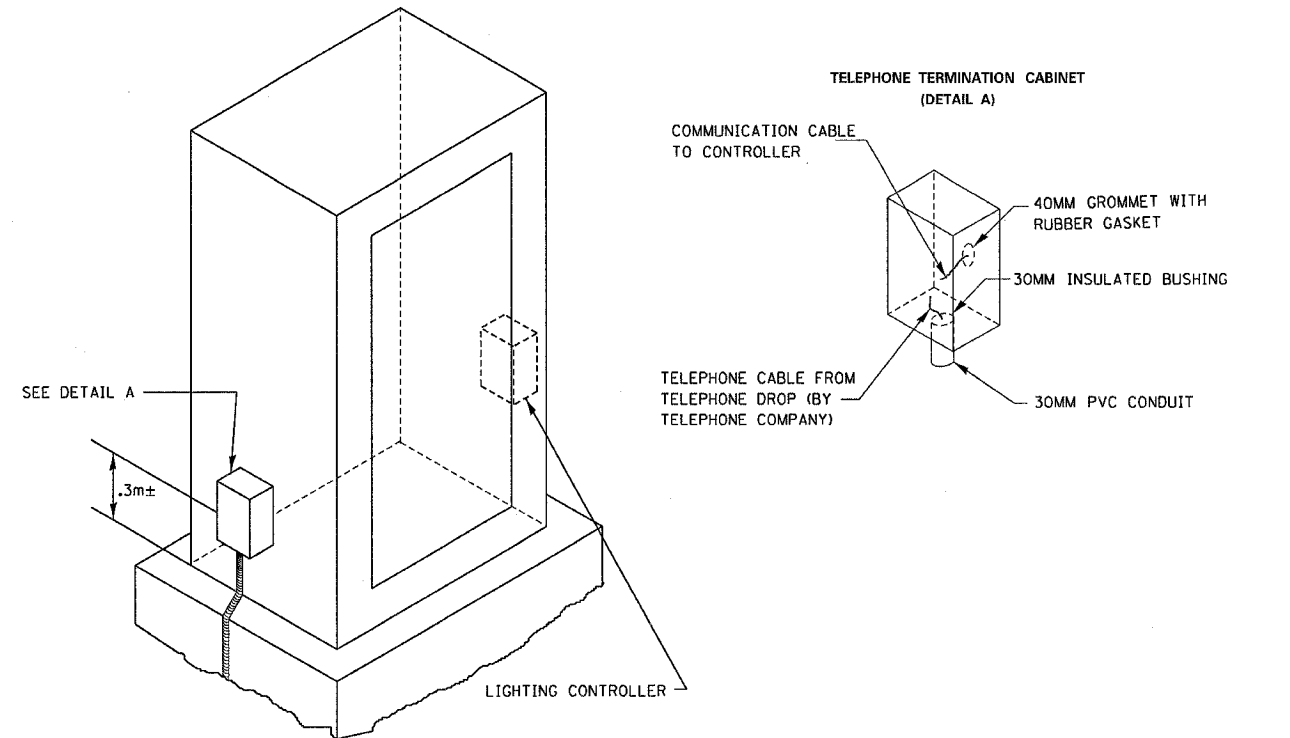
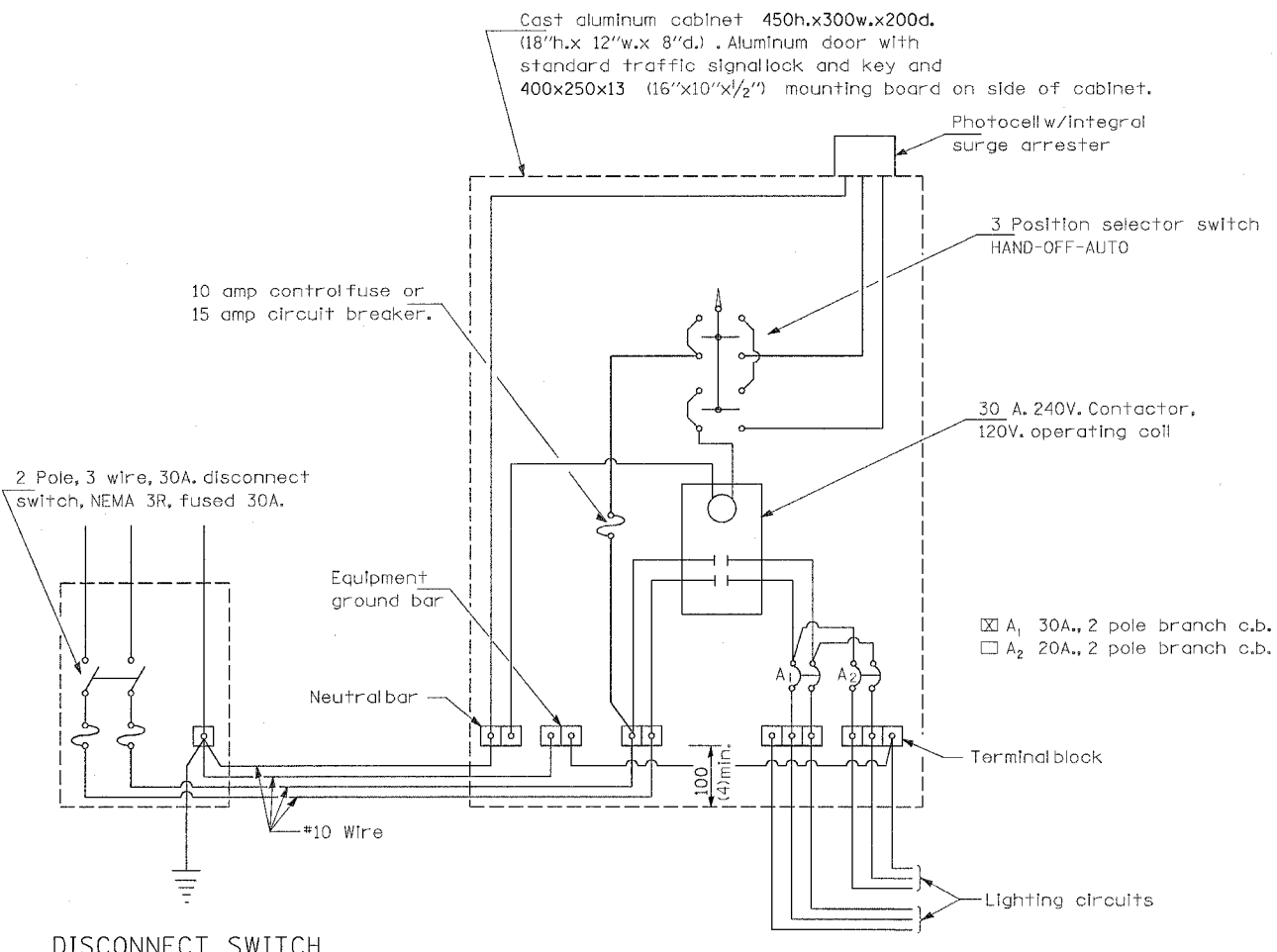


F.A.P. RTE.	SECTION	COUNTY	TOTAL SHEETS	SHEET NO.
301	177-2-TS	STEPHENSON	10	7
STA.		TO STA.		
FED. ROAD DIST. NO.	ILLINOIS	FED. AID PROJECT		



ELECTRIC SERVICE INSTALLATION, SPECIAL
(SEE SPECIAL PROVISIONS)



GENERAL NOTES
All equipment shall be U.L. Listed.
All dimensions are in millimeters unless otherwise shown.

REVISIONS	
NAME	DATE

ILLINOIS DEPARTMENT OF TRANSPORTATION

SCALE: VERT. _____
HORIZ. _____

DATE _____

DRAWN BY _____
CHECKED BY _____

PLOT DATE = Mon Jan 03 11:05:10 2005
PLOT SCALE = 20.0000 / IN
REFERENCE = #REF#

CONTROLLER DETAILS AND SERVICE INSTALLATION