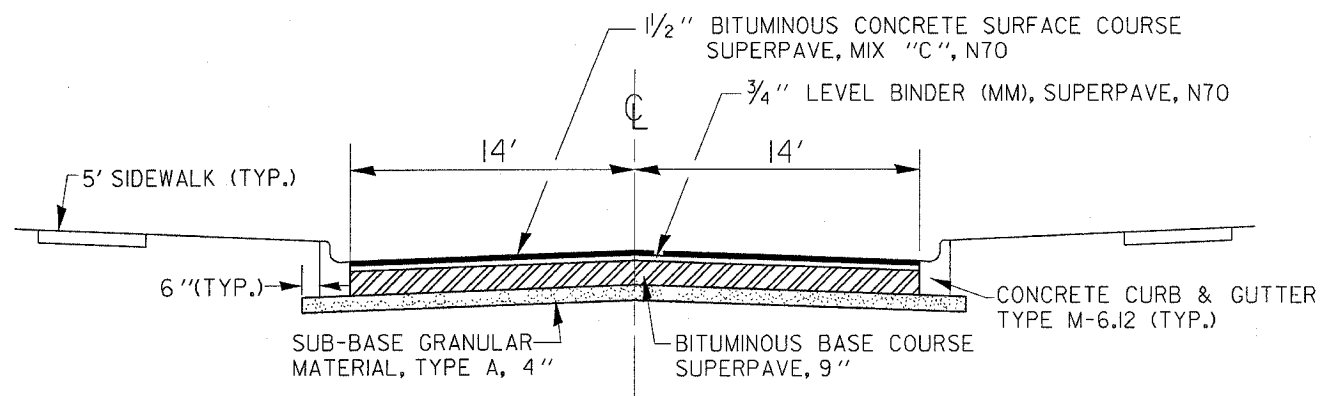
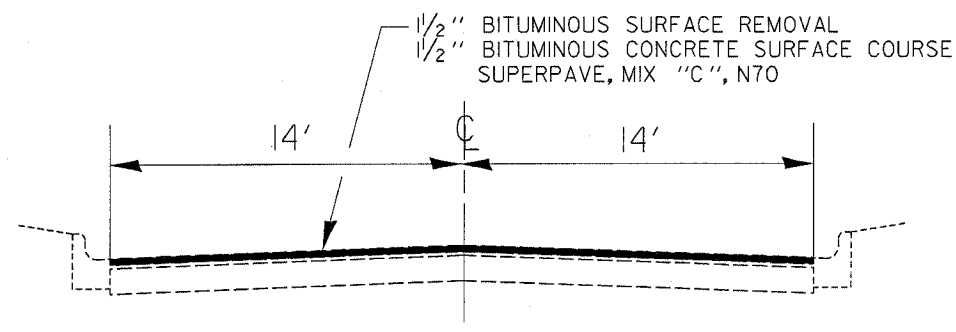


F.A.P. RTE.	SECTION	COUNTY	TOTAL SHEETS	SHEET NO.
B40	(139Z-1)I	KANKAKEE	24	4
STA.		TO STA.		
FED. ROAD DIST. NO.		ILLINOIS FED. AID PROJECT		

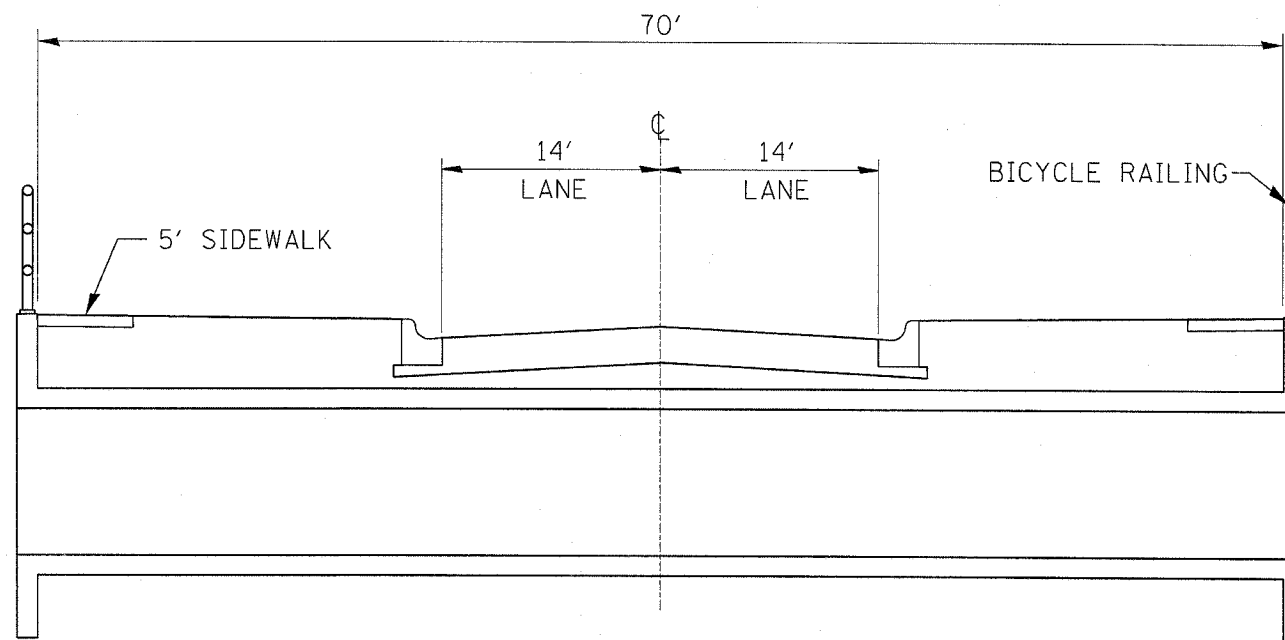
**CONTRACT# 66131**



PROPOSED TYPICAL ROADWAY SECTION  
PAVEMENT REPLACEMENT



TYPICAL PROPOSED APPROACH  
ROADWAY SECTION



**PROPOSED CULVERT CROSS SECTION**

June 11, 2004  
ep05899/sheets.dgn

REVISIONS	
NAME	DATE

ILLINOIS DEPARTMENT OF TRANSPORTATION

**TYPICAL  
SECTIONS**

SCALE: VERT.  
DATE:      HORIZ.

DRAWN BY  
CHECKED BY