

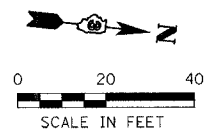
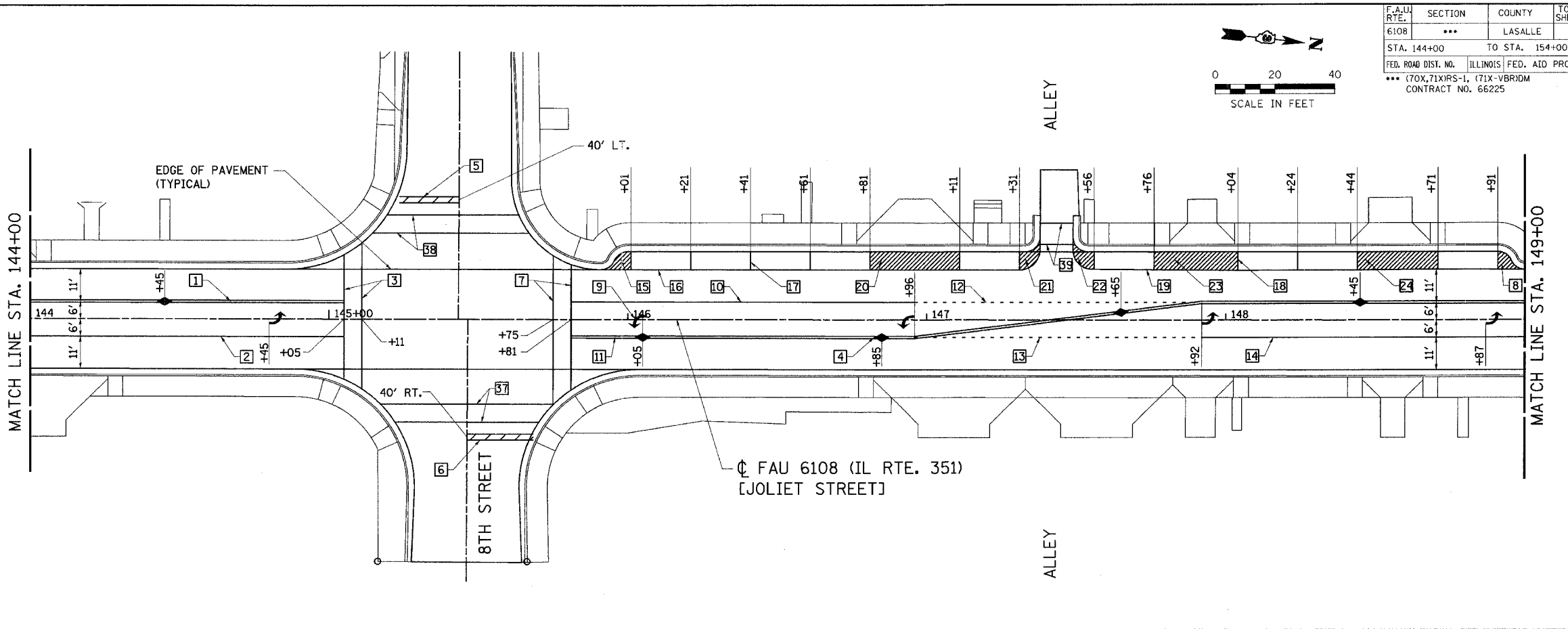
DESIGN		
INT.	DATE	REASON

PLOTS & CHECKS		
INT.	DATE	REASON

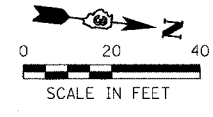
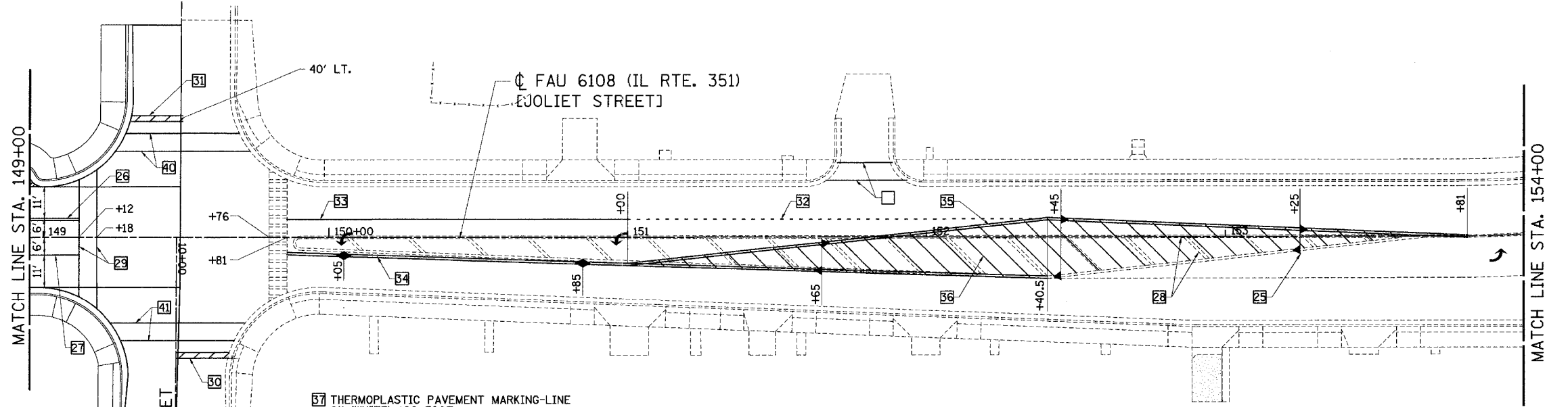
FILE NAME = \$FILE\$
 PLOT SCALE = \$SCALE\$
 PLOT DATE = \$DATE\$
 PLOT TIME = \$TIME\$
 OPERATOR = \$USER\$

CHECKS		
INT.	DATE	REASON

- 1 THERMOPLASTIC PAVEMENT MARKING-LINE
4" (DOUBLE YELLOW) 210 FOOT
- 2 THERMOPLASTIC PAVEMENT MARKING-LINE
8" (WHITE) 105 FOOT
- 3 THERMOPLASTIC PAVEMENT MARKING-LINE
6" (WHITE) 92 FOOT
- 4 RAISED REFLECTIVE PAVEMENT MARKERS
5 EACH (YELLOW)
- 5 THERMOPLASTIC PAVEMENT MARKING-LINE
24" (WHITE) 20 FOOT
- 6 THERMOPLASTIC PAVEMENT MARKING-LINE
24" (WHITE) 22 FOOT
- 7 THERMOPLASTIC PAVEMENT MARKING-LINE
6" (WHITE) 94 FOOT
- 8 THERMOPLASTIC PAVEMENT MARKING-LINE
4" (WHITE-DIAGONAL 24" CENTERS) 17 FOOT
- 9 THERMOPLASTIC PAVEMENT MARKING
LETTERS AND SYMBOLS(WHITE) 78 SQ. FOOT
- 10 THERMOPLASTIC PAVEMENT MARKING-LINE
8" (WHITE) 115 FOOT
- 11 THERMOPLASTIC PAVEMENT MARKING-LINE
4" (DOUBLE YELLOW) 640 FOOT
- 12 THERMOPLASTIC PAVEMENT MARKING-LINE
8" (WHITE-SHORT DASH) 24 FOOT
- 13 THERMOPLASTIC PAVEMENT MARKING-LINE
8" (WHITE-SHORT DASH) 24 FOOT
- 14 THERMOPLASTIC PAVEMENT MARKING-LINE
8" (WHITE) 108 FOOT
- 15 THERMOPLASTIC PAVEMENT MARKING-LINE
4" (WHITE-DIAGONAL 24" CENTERS) 19 FOOT
- 16 THERMOPLASTIC PAVEMENT MARKING-LINE
4" (WHITE) 159 FOOT
- 17 THERMOPLASTIC PAVEMENT MARKING-LINE
4" (WHITE) 42 FOOT
- 18 THERMOPLASTIC PAVEMENT MARKING-LINE
4" (WHITE) 42 FOOT
- 19 THERMOPLASTIC PAVEMENT MARKING-LINE
4" (WHITE) 162 FOOT
- 20 THERMOPLASTIC PAVEMENT MARKING-LINE
4" (WHITE-DIAGONAL 24" CENTERS) 115 FOOT
- 21 THERMOPLASTIC PAVEMENT MARKING-LINE
4" (WHITE-DIAGONAL 24" CENTERS) 25 FOOT
- 22 THERMOPLASTIC PAVEMENT MARKING-LINE
4" (WHITE-DIAGONAL 24" CENTERS) 20 FOOT
- 23 THERMOPLASTIC PAVEMENT MARKING-LINE
4" (WHITE-DIAGONAL 24" CENTERS) 110 FOOT
- 24 THERMOPLASTIC PAVEMENT MARKING-LINE
4" (WHITE-DIAGONAL 24" CENTERS) 100 FOOT
- 25 RAISED REFLECTIVE PAVEMENT MARKERS
8 EACH (YELLOW)
- 26 THERMOPLASTIC PAVEMENT MARKING-LINE
4" (DOUBLE YELLOW) 24 FOOT
- 27 THERMOPLASTIC PAVEMENT MARKING-LINE
8" (WHITE) 12 FOOT
- 28 THERMOPLASTIC PAVEMENT MARKING
REMOVAL 825 FOOT
- 29 THERMOPLASTIC PAVEMENT MARKING-LINE
6" (WHITE) 77 FOOT
- 30 THERMOPLASTIC PAVEMENT MARKING-LINE
24" (WHITE) 17 FOOT
- 31 THERMOPLASTIC PAVEMENT MARKING-LINE
24" (WHITE) 17 FOOT
- 32 THERMOPLASTIC PAVEMENT MARKING-LINE
8" (WHITE SHORT-DASH) 32 FOOT
- 33 THERMOPLASTIC PAVEMENT MARKING-LINE
8" (WHITE) 114 FOOT
- 34 THERMOPLASTIC PAVEMENT MARKING-LINE
4" (DOUBLE YELLOW) 510 FOOT
- 35 THERMOPLASTIC PAVEMENT MARKING-LINE
4" (DOUBLE YELLOW) 488 FOOT
- 36 THERMOPLASTIC PAVEMENT MARKING-LINE
12" (DIAGONAL YELLOW) 529 FOOT



F.A.U. RTE.	SECTION	COUNTY	TOTAL SHEETS	SHEET NO.
6108	...	LASALLE	679	239
STA. 144+00		TO STA. 154+00		
FED. ROAD DIST. NO.		ILLINOIS	FED. AID PROJECT	
...		CONTRACT NO. 66225		



REVISIONS	
NAME	DATE

ILLINOIS DEPARTMENT OF TRANSPORTATION
PAVEMENT STRIPING PLAN
 FAU 6108 (IL RTE. 351)
 SEC. (70X,71X)RS-1, (71X-VBR)DM
 LA SALLE COUNTY

SCALE: VERT. _____
 HORIZ. _____
 DATE 05/06/03

DRAWN BY: MABUS
 DESIGNED BY: BOTT
 CHECKED BY: COLBROOK

GREENE & BRADFORD, INC.
 OF SPRINGFIELD
 CIVIL ENGINEERS
 600 NORTH MAIN STREET
 SPRINGFIELD, ILLINOIS 62761
 (217) 223-1100 FAX (217) 223-1101
 800.735.4274 WWW.GREENEBRADFORD.COM

COMPUTER FILE NO.
 PM351A-02
 PROJECT 01194.B.S
 07/12/03-PAM