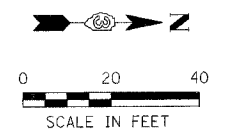


DESIGN		
INT.	DATE	REASON

PLOTS & CHECKS			
INT.	DATE	NO.	REASON

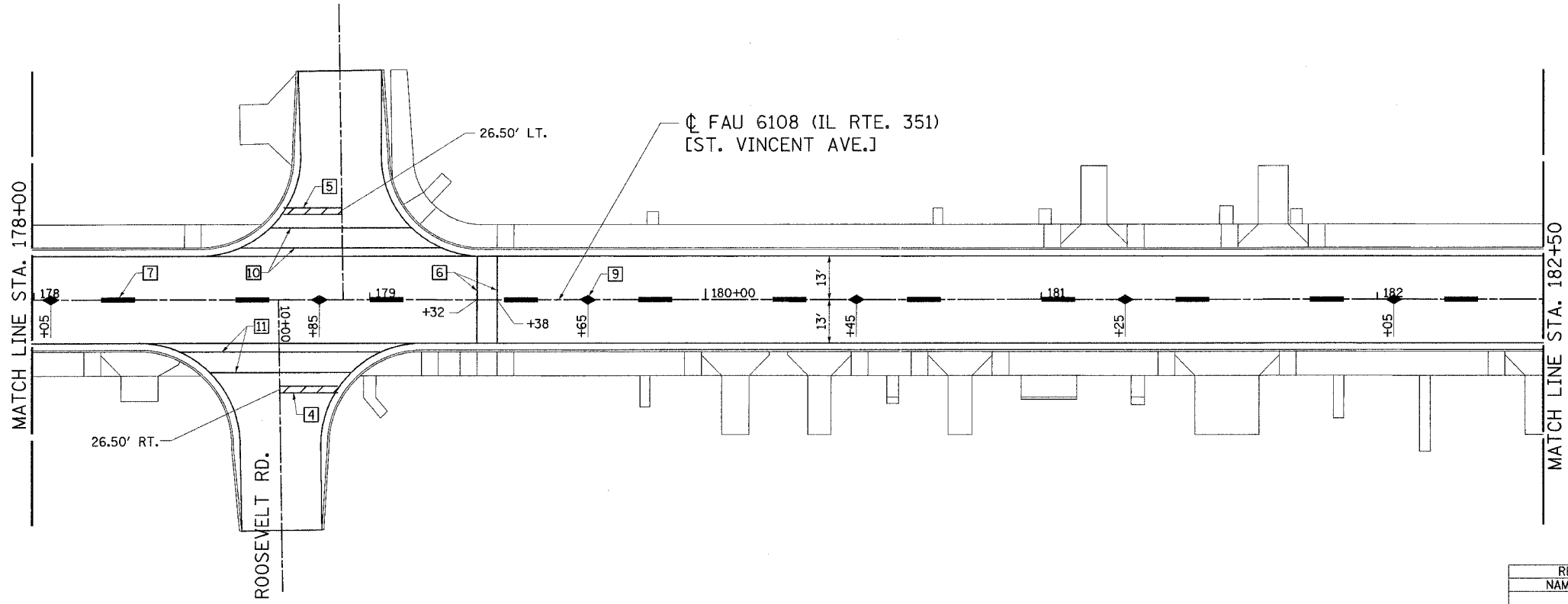
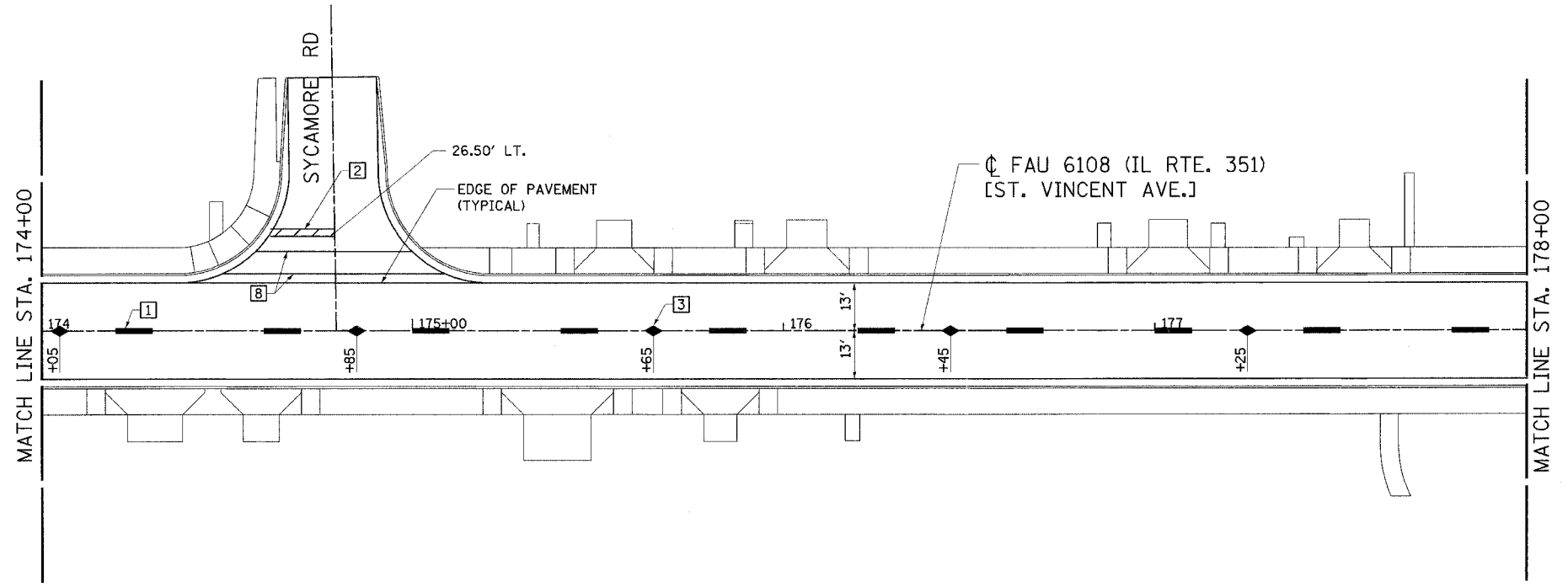
FILE NAME = I:\0194\DRAWINGS\PART BY SOUTH PART\PM351B.dgn  
 PLOT SCALE = 20 X 2004  
 PLOT TIME = 12:00:06 AM  
 OPERATOR = RAYB

CHECKS		
INT.	DATE	REASON

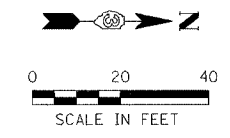


F.A.U. RTE.	SECTION	COUNTY	TOTAL SHEETS	SHEET NO.
6018	...	LA SALLE	679	242

STA. 174+00 TO STA. 182+50  
 FED. ROAD DIST. NO. ILLINOIS FED. AID PROJECT  
 ... (70X,71X)RS-1, (71X-VBR)DM  
 CONTRACT NO. 66225



- 1 THERMOPLASTIC PAVEMENT MARKING-LINE 6" (YELLOW) 90 FOOT
- 2 THERMOPLASTIC PAVEMENT MARKING-LINE 24" (WHITE) 15 FOOT
- 3 RAISED REFLECTIVE PAVEMENT MARKERS - 5 EACH (YELLOW)
- 4 THERMOPLASTIC PAVEMENT MARKING-LINE 24" (WHITE) 15 FOOT
- 5 THERMOPLASTIC PAVEMENT MARKING-LINE 24" (WHITE) 15 FOOT
- 6 THERMOPLASTIC PAVEMENT MARKING-LINE 6" (WHITE) 52 FOOT
- 7 THERMOPLASTIC PAVEMENT MARKING-LINE 6" (YELLOW-SKIP DASH) 120 FOOT
- 8 THERMOPLASTIC PAVEMENT MARKING-LINE 6" (WHITE) 102 FOOT
- 9 RAISED REFLECTIVE PAVEMENT MARKERS - 6 EACH (YELLOW)
- 10 THERMOPLASTIC PAVEMENT MARKING-LINE 6" (WHITE) 102 FOOT
- 11 THERMOPLASTIC PAVEMENT MARKING-LINE 6" (WHITE) 102 FOOT



REVISIONS	
NAME	DATE

ILLINOIS DEPARTMENT OF TRANSPORTATION  
**PAVEMENT STRIPING PLAN**  
 FAU 6108 (IL RTE. 351)  
 SEC. (70X,71X)RS-1, (71X-VBR)DM  
 LA SALLE COUNTY

SCALE: VERT. \_\_\_\_\_  
 HORIZ. \_\_\_\_\_  
 DATE 05/06/03

DRAWN BY: MABUS  
 DESIGNED BY: BOTT  
 CHECKED BY: COLBROOK

GREENE & BRADFORD, INC.  
 OF SPRINGFIELD  
 CONSULTING ENGINEERS  
 PROFESSIONAL ENGINEERS  
 REGISTERED IN THE STATE OF ILLINOIS  
 OFFICE: 1100 W. WASHINGTON ST., SPRINGFIELD, IL 62760  
 PHONE: (217) 243-1111 FAX: (217) 243-1112  
 WWW.GREENEANDBRADFORD.COM

COMPUTER FILE NO.  
 PM351B-02  
 PROJECT 01194.B.S  
 07/12/03-PAM

9 RAISED REFLECTIVE PAVEMENT MARKERS - 6 EACH (YELLOW)