

STATE OF ILLINOIS
DEPARTMENT OF TRANSPORTATION

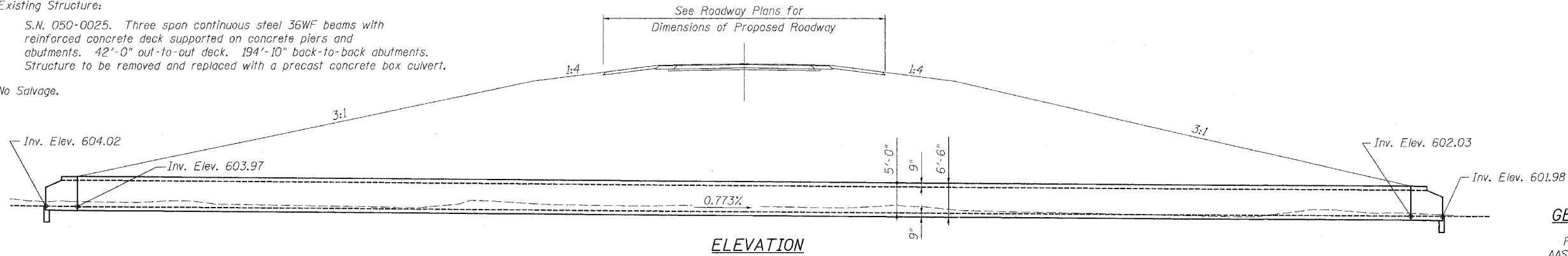
SHEET NO. 1
4 SHEETS

FAUJ RTE. 6108	SECTION ***	COUNTY LA SALLE	TOTAL SHEETS 679	SHEET NO. 251
STA. 229+42				
FED. ROAD DIST. NO. ILLINOIS FED. AID PROJECT				
*** (70X, 71X)RS-1, (71X-VBR)DM				
CONTRACT NO. 66225				

Benchmark:
North cap bolt on fire hydrant Sta. 218+46, 29' Lt.
Elev. 634.18

Existing Structure:
S.N. 050-0025. Three span continuous steel 36WF beams with reinforced concrete deck supported on concrete piers and abutments. 42'-0" out-to-out deck, 194'-10" back-to-back abutments. Structure to be removed and replaced with a precast concrete box culvert.

No Salvage.



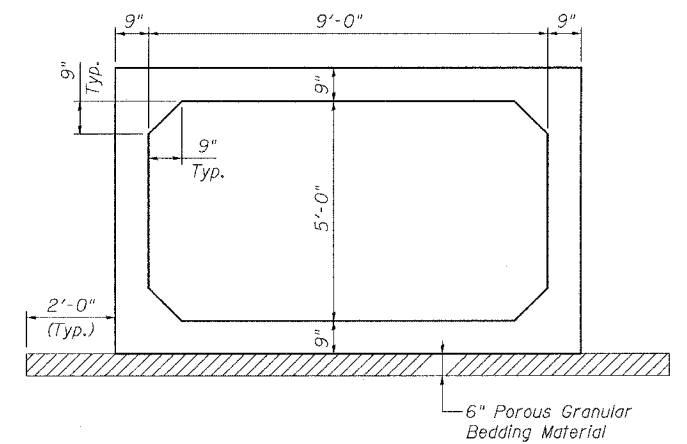
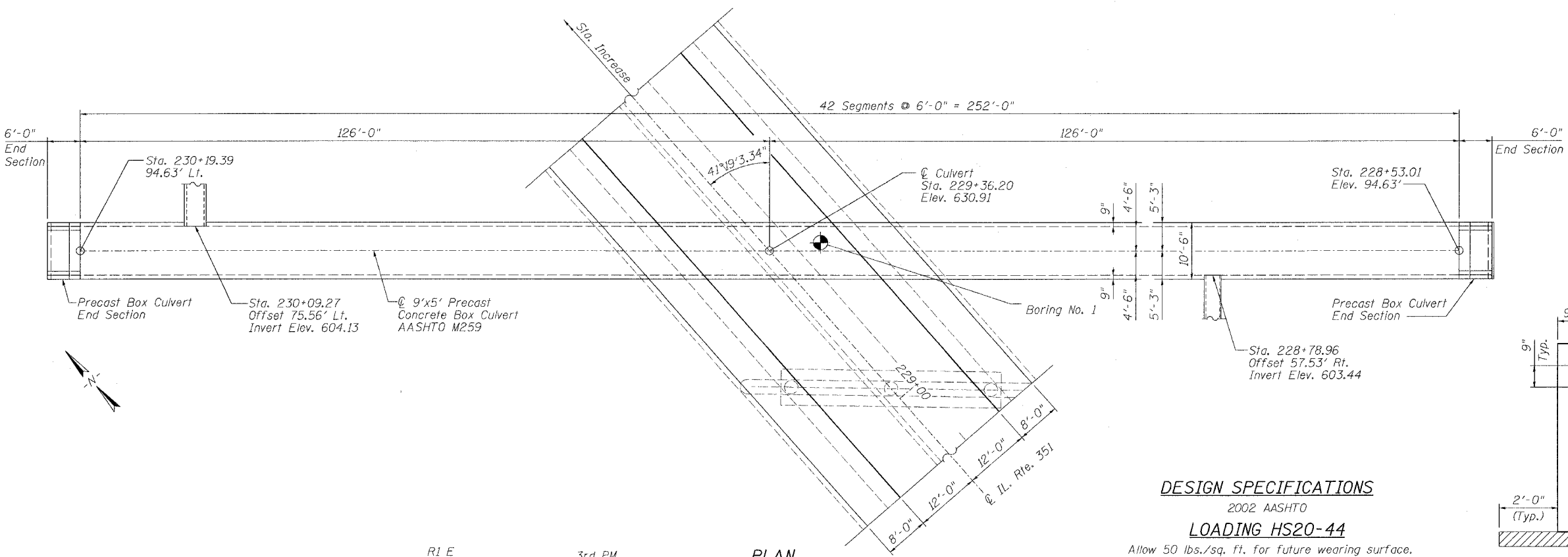
GENERAL NOTES

Reinforcement bars shall conform to the requirements of AASHTO M 31 or M322 Grade 60.

Precast Concrete Box Culvert sections shall conform to the requirements of Article 540.06 of the Standard Specifications and the applicable requirements of AASHTO M259.

Lifting holes shall be filled with concrete plugs and mastic after box sections are in place.

Culvert Design Fill Height = 21.7'



DESIGN SPECIFICATIONS

2002 AASHTO
LOADING HS20-44
Allow 50 lbs./sq. ft. for future wearing surface.

**DESIGN STRESSES
PRECAST UNITS**

$f'_c = 5,000$ psi
 $f_y = 65,000$ psi (Welded Wire Fabric)

CROSS SECTION

TOTAL BILL OF MATERIAL

ITEM	UNIT	TOTAL
Removal of Existing Structures	Each	1
Box Culvert End Sections	Each	2
Precast Concrete Box Culverts 9'x5'	Foot	252

See Roadway Plans for Earth Excavation and Furnished Excavation Quantities.



Expires 30 - Nov - 2004

ILLINOIS DEPARTMENT OF TRANSPORTATION

GENERAL PLAN & ELEVATION

FAU 6108 (IL. RTE. 351)
SECTION (70X, 71X)RS-1, (71X - VBR)DM
LASALLE COUNTY

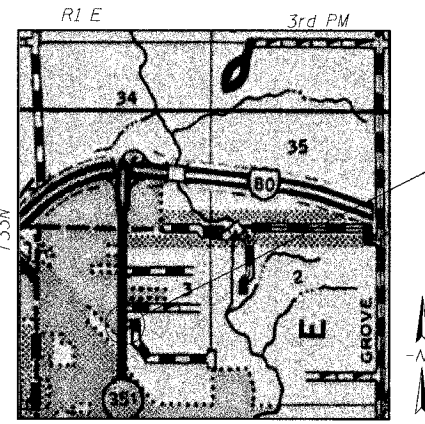
REVISIONS	
NAME	DATE

SCALE: VERT. HORIZ.
DATE: 12/9/03

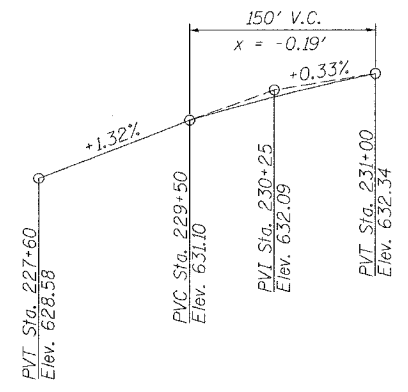
DRAWN BY: HEBERLING
DESIGNED BY: WATKINS
CHECKED BY: BOTT

GREENE & BRADFORD, INC.
OF SPRINGFIELD
REGISTERED PROFESSIONAL ENGINEERS
ILLINOIS LICENSE NO. 001-00000000
PROFESSIONAL DESIGN FIRM NO. 000-00000000
400 W. BROADWAY, SUITE 200, SPRINGFIELD, ILLINOIS 62760-1000
TEL: 217-223-1111 FAX: 217-223-1112

COMPUTER FILE NO.
REMOVAL_B.S.1
PROJECT 01194_B.S
4/23/04 - MML



LOCATION MAP



PROFILE

3/32" = 1'

PRECAST CONCRETE BOX CULVERT STA. 229+42 - FAU RTE. 6108 (IL RTE. 351) LASALLE CO.