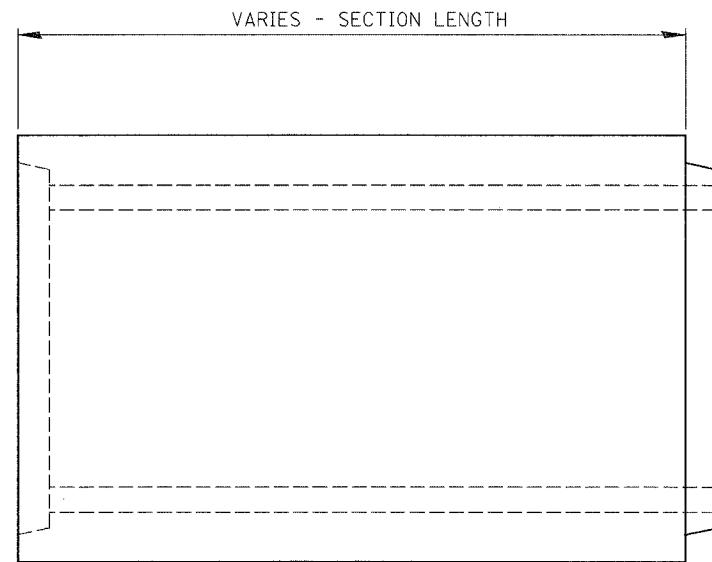
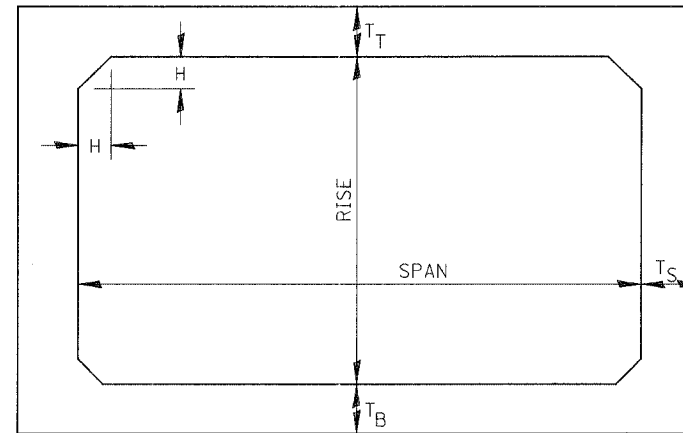


STATE OF ILLINOIS  
DEPARTMENT OF TRANSPORTATION

SHEET NO. 2	F.A.U. RTE. 6108	SECTION ***	COUNTY LA SALLE	TOTAL SHEETS 679	SHEET NO. 252
4 SHEETS	STA. 229+42				
FED. ROAD DIST. NO. ILLINOIS FED. AID PROJECT					
*** (70X, 71X)RS-1, (71X-VBR)DM					
CONTRACT NO. 66225					



**ELEVATION**

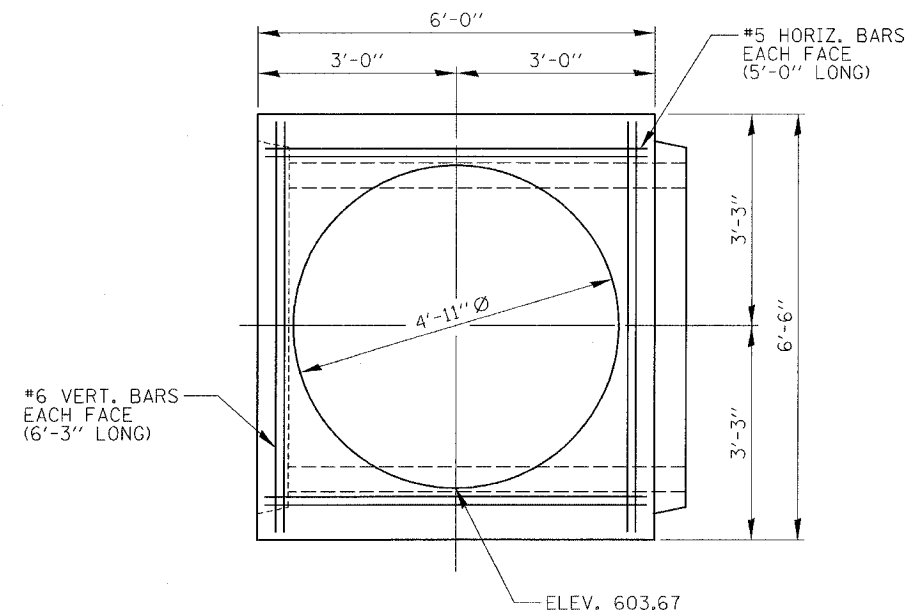


NOTE: THE HAUNCH DIMENSION H, IS EQUAL TO THE WALL THICKNESS T<sub>S</sub>.

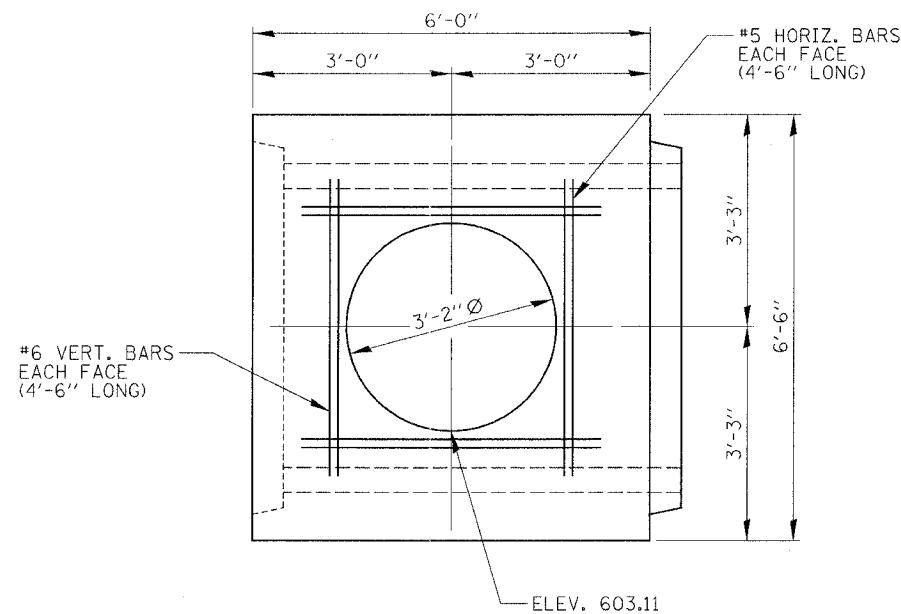
**TYPICAL BOX SECTION**

SPAN, FEET	T <sub>T</sub> , INCHES		T <sub>B</sub> , INCHES		T <sub>S</sub> , INCHES	
	M 259	M 273	M 259	M 273	M 259	M 273
3	4	7	4	6	4	4
4	5	7 1/2	5	6	5	5
5	6	8	6	7	6	6
6	7	8	7	7	7	7
7	8	8	8	8	8	8
8	8	8	8	8	8	8
9	9	9	9	9	9	9
10	10	10	10	10	10	10
11	11	11	11	11	11	11
12	12	12	12	12	12	12

**TYPICAL THICKNESSES**



**OPENING AT STA. 230+09.27**



**OPENING AT STA. 228+78.96**

**GENERAL NOTES:**

MINIMUM COVER FOR BOX  
CULVERTS SHALL BE 6".

ILLINOIS DEPARTMENT OF TRANSPORTATION  
**PRECAST CONCRETE  
BOX SECTION**  
FAU 6108 (IL. RTE. 351)  
SECTION (70X, 71X)RS-1, (71X - VBR)DM  
LASALLE COUNTY

REVISIONS	
NAME	DATE

SCALE: VERT. HORIZ. DATE: 12/9/03  
DRAWN BY: HEBERLING  
DESIGNED BY: WATKINS  
CHECKED BY: BOTI

GREENE & BRADFORD, INC.  
OF SPRINGFIELD  
REGISTERED PROFESSIONAL ENGINEERS  
CONTRACT NO. 66225  
COMPUTER FILE NO. REMOVAL.B.S.2  
PROJECT 01194.B.S  
4/23/04 - MML