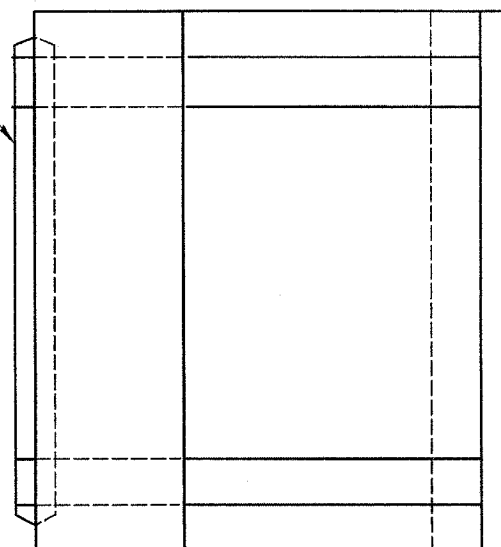
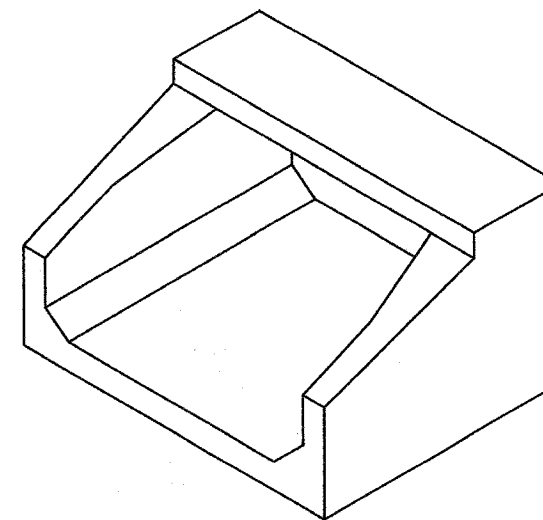
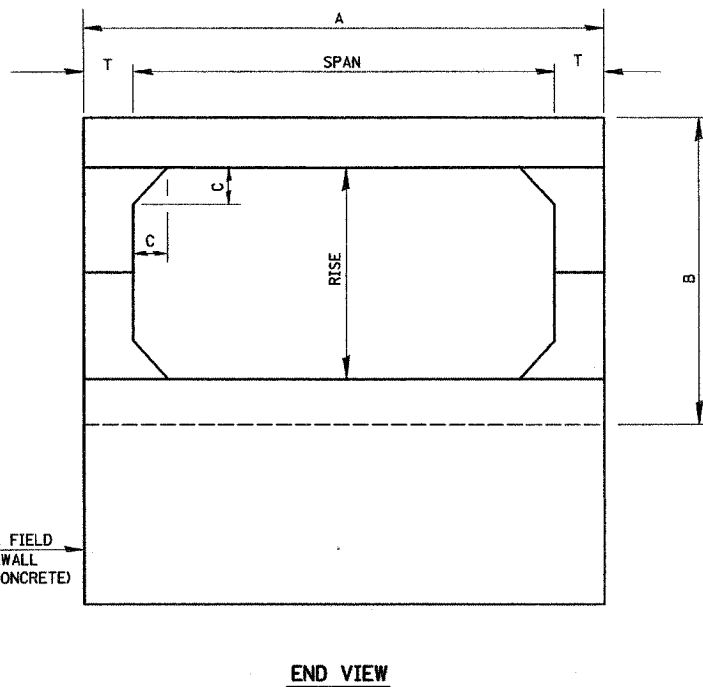
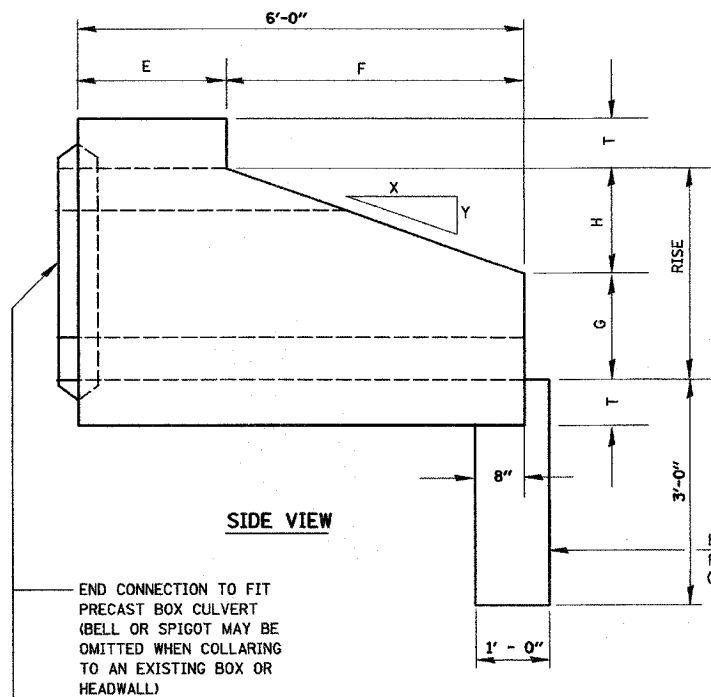


PLAN SURVEYED BY DATE
 PLOTTED BY
 CHECKED BY
 NO. OF WAYS CHECKED
 ROAD FILE NAME

PROFILE SURVEYED BY DATE
 PLOTTED BY
 CHECKED BY
 STRUCTURE NOTATION CHRG



SPAN X RISE	T (INCHES)	A (FT.-IN.)	B (FT.-IN.)	C (INCHES)	E (FT.-IN.)	F (FT.-IN.)	G (FT.-IN.)	H (FT.-IN.)	SLOPE
2' X 2'	4	2-8	2-8	4	3-0	3-0	1-0	1-0	3:1
3' X 2'	4	3-8	2-8	4	3-0	3-0	1-0	1-0	3:1
3' X 3'	4	3-8	3-8	4	2-0	4-0	1-8	1-4	3:1
4' X 2'	5	4-10	2-10	5	3-0	3-0	1-0	1-0	3:1
4' X 3'	5	4-10	3-10	5	2-0	4-0	1-8	1-4	3:1
4' X 4'	5	4-10	4-10	5	2-0	4-0	2-0	2-0	2:1
5' X 2'	6	6-0	3-0	6	3-0	3-0	1-0	1-0	3:1
5' X 3'	6	6-0	4-0	6	2-0	4-0	1-8	1-4	3:1
5' X 4'	6	6-0	5-0	6	2-0	4-0	2-0	2-0	2:1
5' X 5'	6	6-0	6-0	6	4-0	4-0	3-0	2-0	2:1
6' X 2'	7	7-2	3-2	7	3-0	3-0	1-0	1-0	3:1
6' X 3'	7	7-2	4-2	7	2-0	4-0	1-8	1-4	3:1
6' X 4'	7	7-2	5-2	7	2-0	4-0	2-0	2-0	2:1
6' X 5'	7	7-2	6-2	7	4-0	4-0	3-0	2-0	2:1
7' X 3'	8	8-4	4-4	8	4-0	4-0	1-8	1-4	3:1
7' X 4'	8	8-4	5-4	8	4-0	4-0	2-0	2-0	2:1
7' X 5'	8	8-4	6-4	8	4-0	3-0	2-0	2-0	2:1
8' X 3'	8	9-4	4-4	8	4-0	4-0	1-8	1-4	3:1
8' X 4'	8	9-4	5-4	8	4-0	2-0	2-0	2-0	2:1
8' X 5'	8	9-4	6-4	8	4-0	3-0	2-0	2-0	2:1
9' X 3'	9	10-6	4-6	9	4-0	4-0	1-8	1-4	3:1
9' X 4'	9	10-6	5-6	9	4-0	2-0	2-0	2-0	2:1
9' X 5'	9	10-6	6-6	9	4-0	3-0	2-0	2-0	2:1
10' X 4'	10	11-8	5-9	10	4-0	2-0	2-0	2-0	2:1
10' X 5'	10	11-8	6-8	10	4-0	3-0	2-0	2-0	2:1

ILLINOIS DEPARTMENT OF TRANSPORTATION
 FAU 6194 (ILLINOIS ROUTE 113)
 MISCELLANEOUS DETAILS

SCALE: VERT.
 HORIZ.
 DATE

DRAWN BY
 CHECKED BY