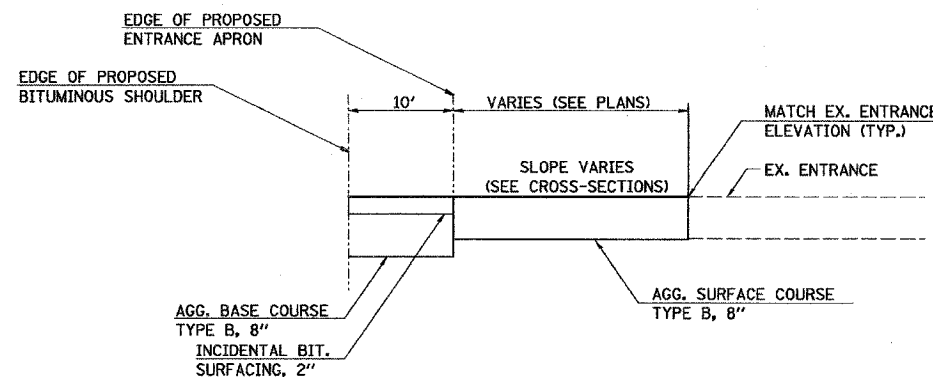
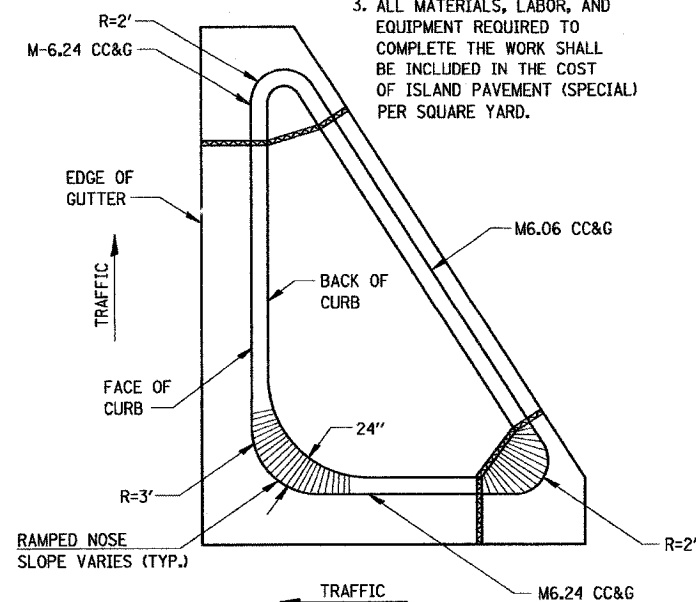


FAU RTE.	SECTION	COUNTY	TOTAL SHEETS	SHEET NO.
6194	(109)R, RS-4	KANKAKEE	82	53
STA.		TO STA.		
FED. ROAD DIST. NO.	ILLINOIS	FED. AID PROJECT		

66402

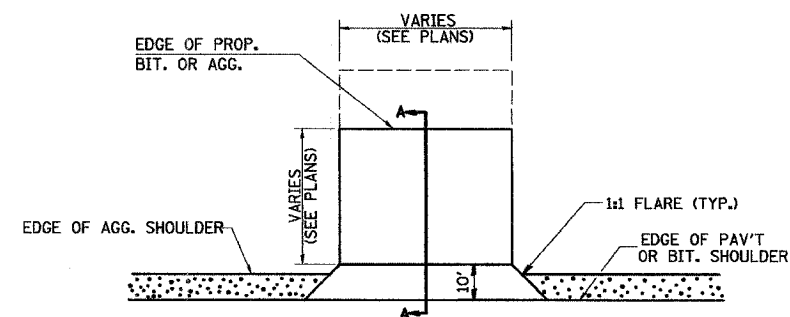
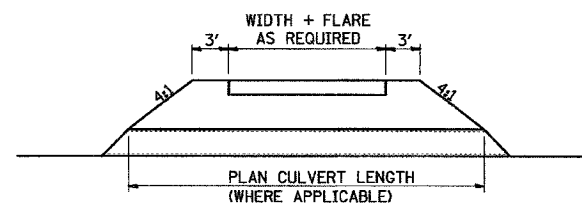
GENERAL NOTES:

1. THE CURB AND GUTTER CONFIGURATION SHALL BE M-6.06 AND M-6.24 AS SHOWN BELOW.
2. SEE STD. 606001 & AND 606301 FOR ADDITIONAL DETAILS.
3. ALL MATERIALS, LABOR, AND EQUIPMENT REQUIRED TO COMPLETE THE WORK SHALL BE INCLUDED IN THE COST OF ISLAND PAVEMENT (SPECIAL) PER SQUARE YARD.

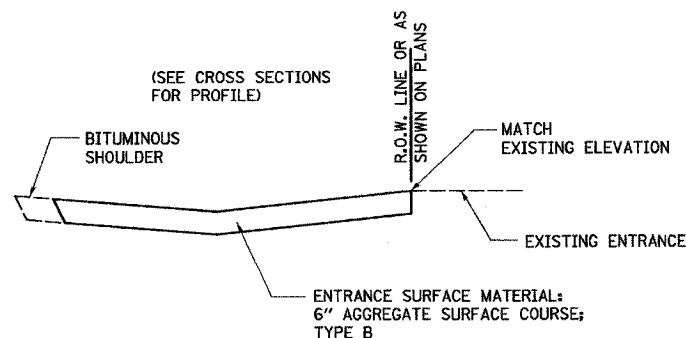
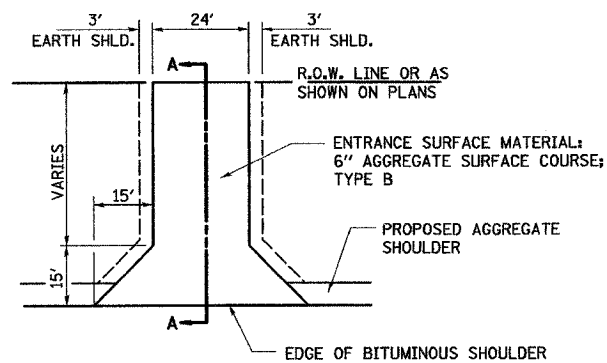


SECTION A-A

PROFILE AT PRIVATE ENTRANCES



PLAN AT PRIVATE ENTRANCES



FIELD ENTRANCE DETAIL

NOTES:

1. THE COST OF REMOVING BITUMINOUS CONCRETE AT EXISTING ENTRANCES SHALL BE PAID FOR AT THE CONTRACT UNIT PRICE FOR DRIVEWAY PAVEMENT REMOVAL. REMOVING AGGREGATE AT EXISTING ENTRANCES SHALL BE INCLUDED IN THE CONTRACT UNIT PRICE FOR EARTH EXCAVATION.
2. AGGREGATE BASE COURSE, TYPE B USED AT ENTRANCE SHALL BE INCLUDED IN THE CONTRACT UNIT PRICE FOR INCIDENTAL BITUMINOUS SURFACING.

ILLINOIS DEPARTMENT OF TRANSPORTATION
 FAU 6194 (ILLINOIS ROUTE 113)
 MISCELLANEOUS DETAILS

SCALE: VERT.
 HORIZ.
 DATE

DRAWN BY
 CHECKED BY

*****DATE*****