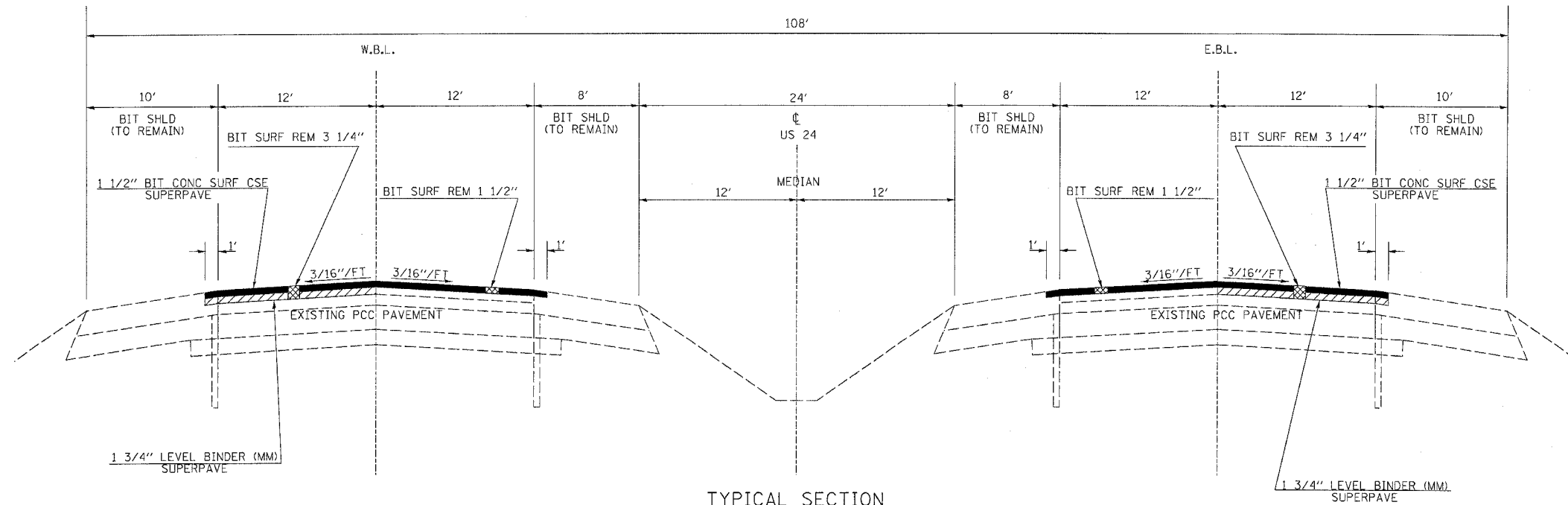
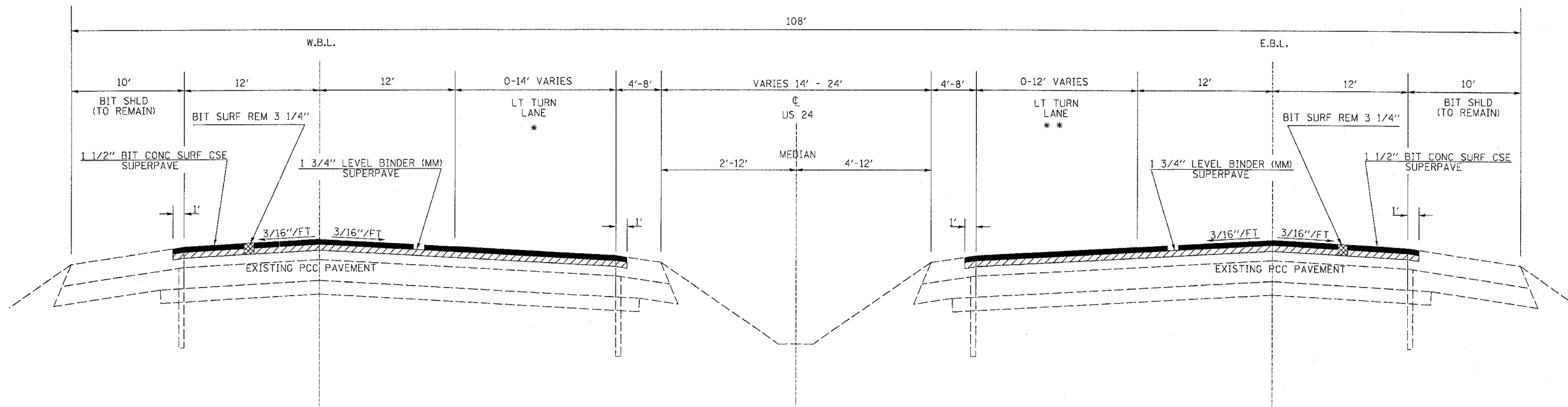


F.A.P. RTE.	SECTION	COUNTY	TOTAL SHEETS	SHEET NO.
317	118, 191RS-3	ILLINOIS	28	6
STA.		TO STA.		
FED. ROAD DIST. NO.		ILLINOIS	FED. AID PROJECT	

CONTRACT #66417



TYPICAL SECTION
 STA 2912+00 TO STA 2925+40
 STA 2936+00 TO STA 2996+00



* 14' FROM STA 2929+00 TO STA 2933+15
 VARIES FROM 14' AT STA 2933+15 TO STA 2936+00

TYPICAL SECTION
 STA 2925+49 TO STA 2936+00

** VARIES FROM 0' AT STA 2925+61 TO 12' AT STA 2927+81
 12' FROM STA 2927+81 TO STA 2929+80

OMISSIONS
 SN 038-0037 - 2704+30 TO 2705+76
 KB & S RR - 2820+14.86 TO 2820+22.86
 KB & S RR - 2925+40 TO 2925+49

OCTOBER 18, 2004
 /ed01804/def01 ls.dgn