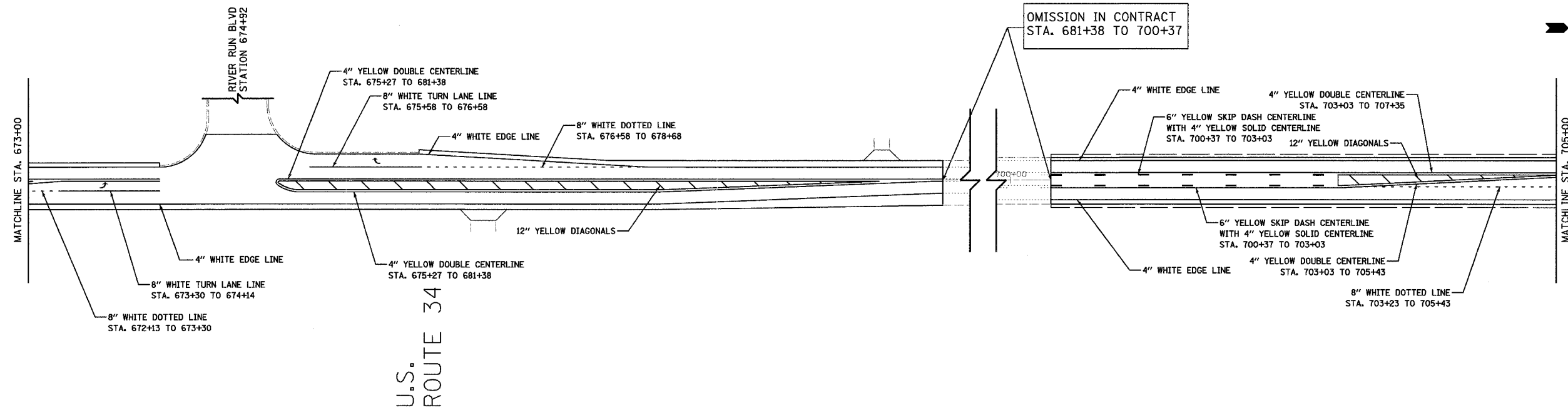
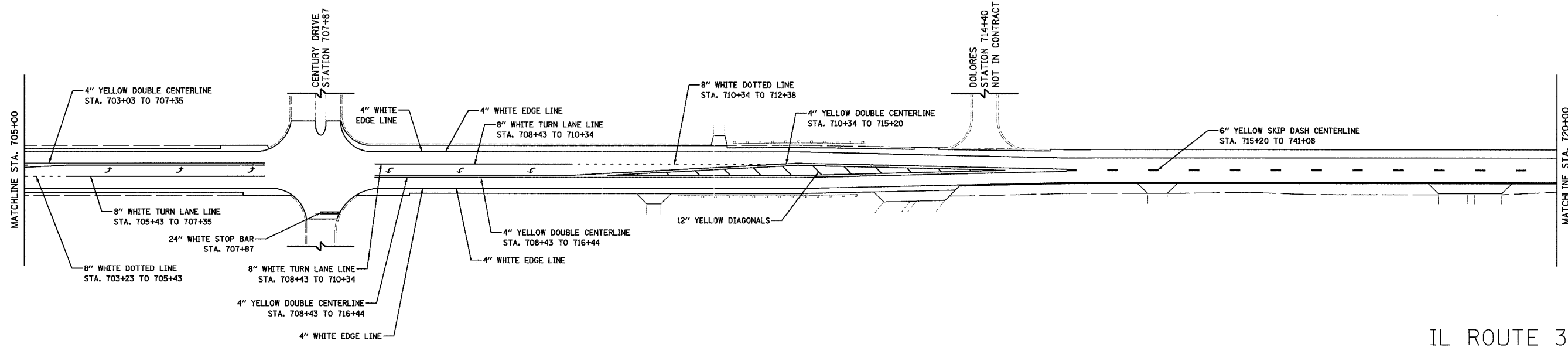


F.A.P. RTE.	SECTION	COUNTY	TOTAL SHEETS	SHEET NO.
537/860	(12) RS-4	KENDALL	23	18
STA. 673+00		TO STA. 720+00		
FED. ROAD DIST. NO.	ILLINOIS	FED. AID PROJECT		
CONTRACT # 66432				



KEY		NOTES	
CE - COMMERCIAL ENTRANCE	FE - FIELD ENTRANCE	1. SEE DETAILS FOR TREATMENT AND EXTENT OF IMPROVEMENT AT FE, CE, & PE.	
PE - PRIVATE ENTRANCE	BC - BOX CULVERT	2. SEE DETAILS FOR TREATMENT AND EXTENT OF IMPROVEMENT AT SIDE ROADS.	
MT - MAILBOX TURNOUT	RR - RAILROAD	3. SEE DETAILS FOR PLACEMENT OF TURN LANE ARROW AND ONLY MARKINGS.	

IL ROUTE 31



IL ROUTE 31

REVISIONS	
NAME	DATE

ILLINOIS DEPARTMENT OF TRANSPORTATION
PAVEMENT MARKING PLAN
 STA. 673+00 TO 720+00
 VERT. N.T.S.
 SCALE: HORIZ. DATE 12/23/04
 DRAWN BY MAP
 CHECKED BY RRM