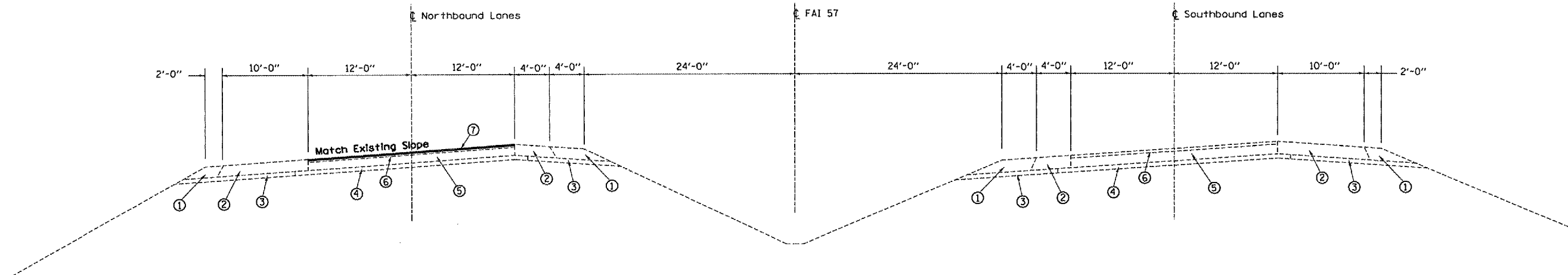


F.A.I. RTE.	SECTION	COUNTY	TOTAL SHEETS	SHEET NO.
57	138-4RS-2	IROQUOIS	10	4
STA. 340+00	TO STA. 407+00			
FED. ROAD DIST. NO.	ILLINOIS	FED. AID PROJECT		

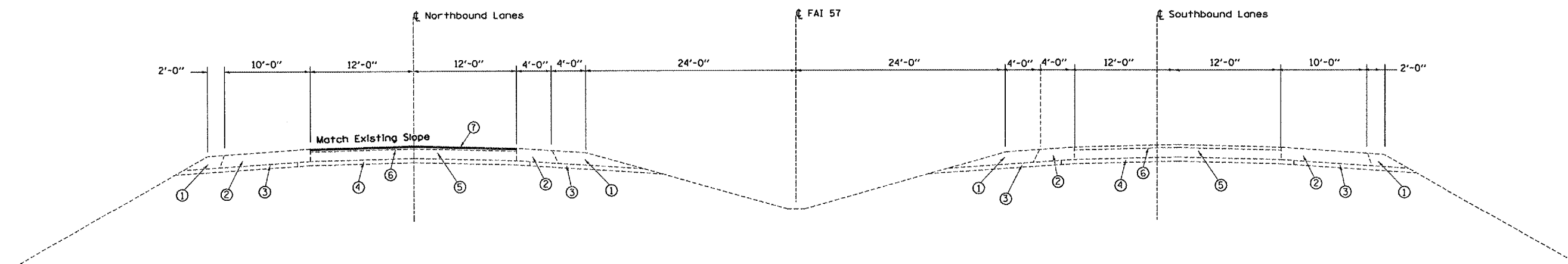


TYPICAL SECTION 1 SUPERELEVATION

STA. 346 + 00 TO STA. 350 + 35
TRANSITION STA. 350 + 35 TO STA. 352 + 35

LENGEND

- 1 AGGREGATE SHOULDER
- 2 STABILIZED SHOULDER (B.A.M.)
- 3 4" AGGREGATE SUB-BASE
- 4 4" STABILIZED SUB-BASE (B.A.M.)
- 5 8" CONTINUOUSLY REINFORCED CONCRETE PAVEMENT
- 6 +/-5" BITUMINOUS SURFACE
- 7 1 3/4" BITUMINOUS MILLING AND RESURFACING



TYPICAL SECTION 2 TANGENT

STA. 352 + 35 TO STA. 389 + 53
TRANSITION STA. 389 + 53 TO STA. 391 + 53

DATE = 10/07/04
FILE NAME = C:\main05\cm313\details.dgn

REVISIONS		ILLINOIS DEPARTMENT OF TRANSPORTATION
NAME	DATE	
		<p style="text-align: center;">TYPICAL SECTIONS</p> <p>SCALE: VERT. DRAWN BY RW HORIZ. CHECKED BY DATE 10/07/04</p>

STA. 340+00 TO STA. 352+35