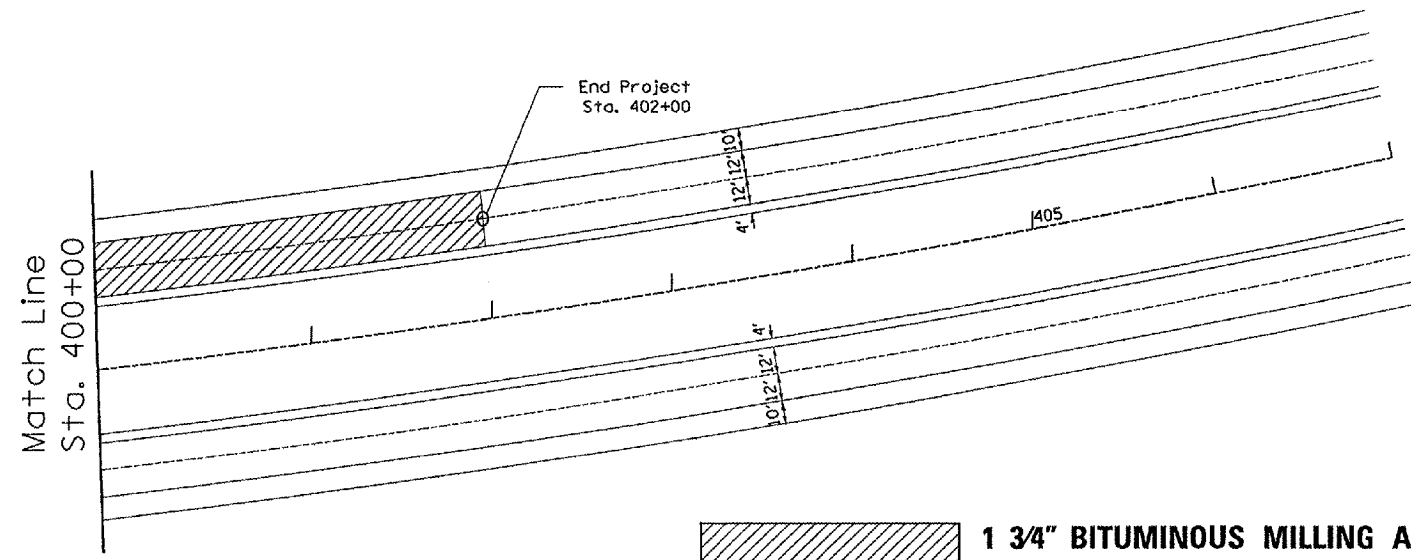
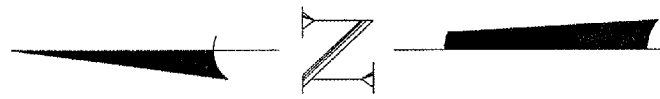


F.A.I. RTE.	SECTION	COUNTY	TOTAL SHEETS	SHEET NO.
57	138-4RS-2	ILLINOIS	10	8
STA. 340+00		TO STA. 407+00		
FED. ROAD DIST. NO. .		ILLINOIS FED. AID PROJECT		



 1 3/4" BITUMINOUS MILLING AND RESURFACING

DATE = 10/07/04
 FILE NAME = C:\main05\cm313\details.dgn

REVISIONS	
NAME	DATE

ILLINOIS DEPARTMENT OF TRANSPORTATION

PLAN DETAILS

SCALE: VERT.
 HORIZ.
 DATE 10/07/04

DRAWN BY RW
 CHECKED BY

STA. 400+00 TO STA. 407+00